

em
electricmotion



**PART LIST
2019**

em **SPORT**

ESCAPE

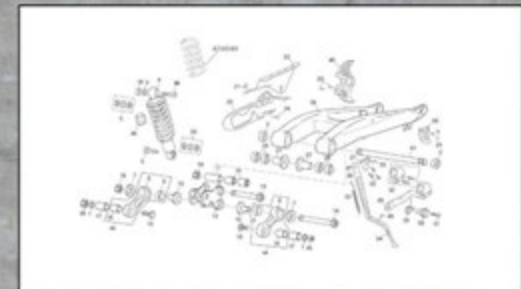
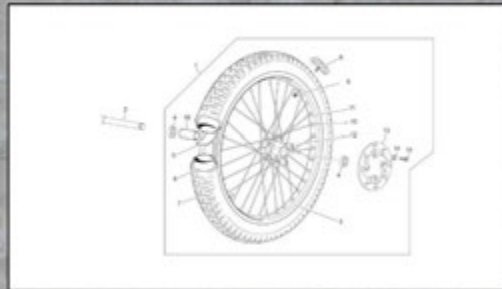
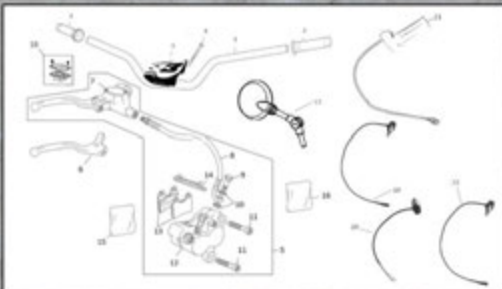
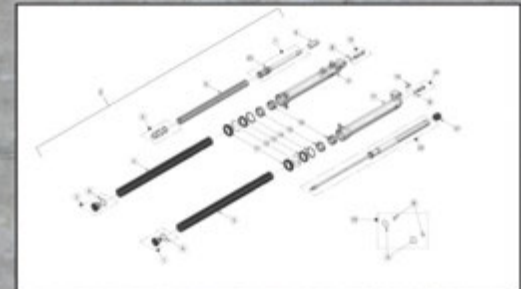
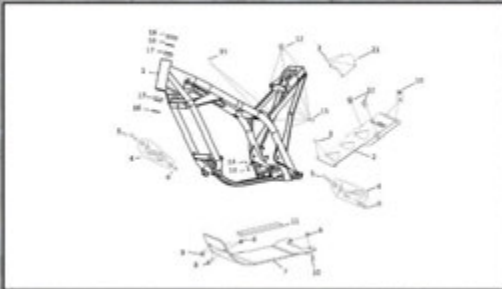


INFORMATIONS

ELECTRIC MOTION
40 rue des Gardians
34160 CASTRIES
+33 467 411 090
+33 651 055 169
www.electric-motion.fr
emotion.sav@gmail.com

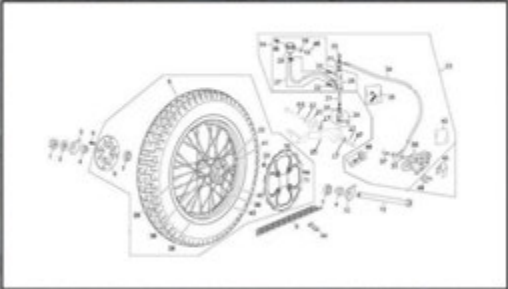
Les informations de ce document ne sont pas contractuelles et peuvent être modifiées sans préavis.

The datas of this document are not contractual and can be modified without notice.

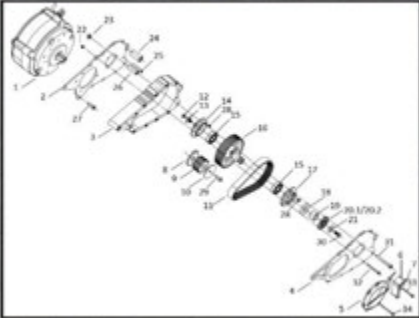


SOMMAIRE / CONTENTS

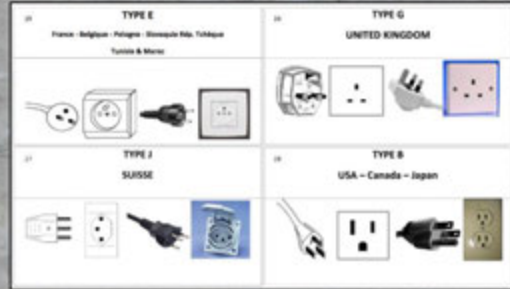
em ROUE ARRIERE / REAR WHEEL 7



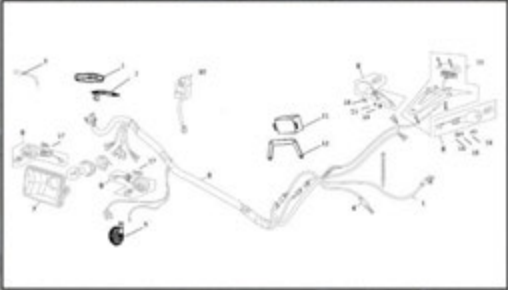
em MOTEUR / MOTOR - TRANSMISSION 8



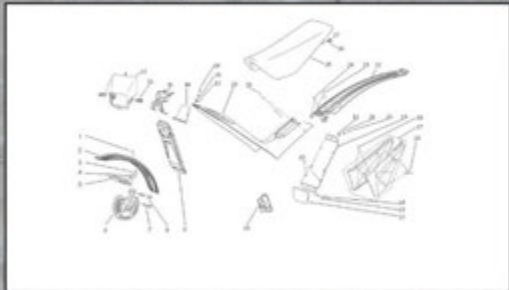
em FAISCEAU / ELECTRIC INSTALLATION 9



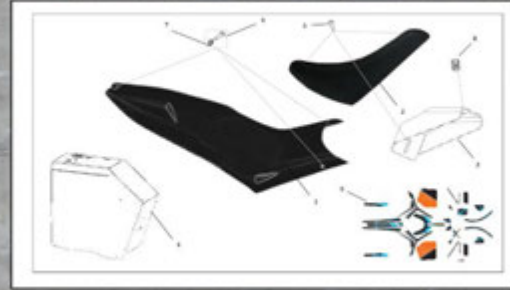
em FAISCEAU ECLAIRAGE / ELECTRIC INSTALLATION LIGHT 10

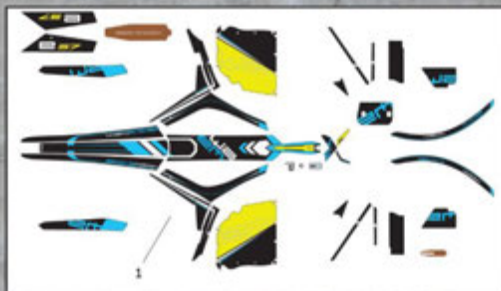
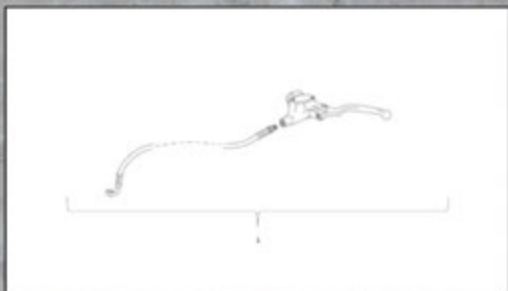
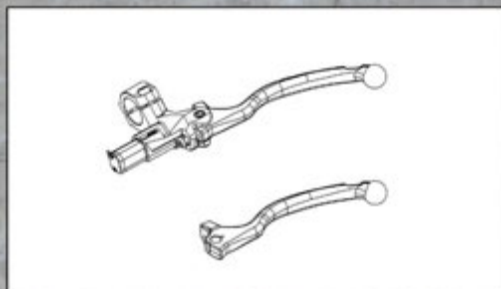
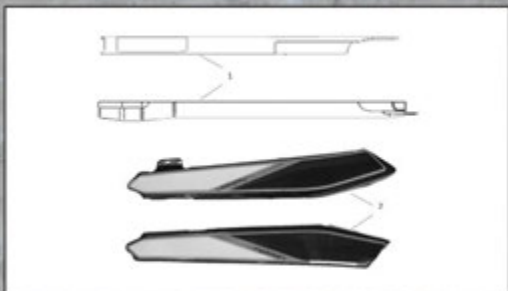


em PLASTIQUES / PLASTICS 11

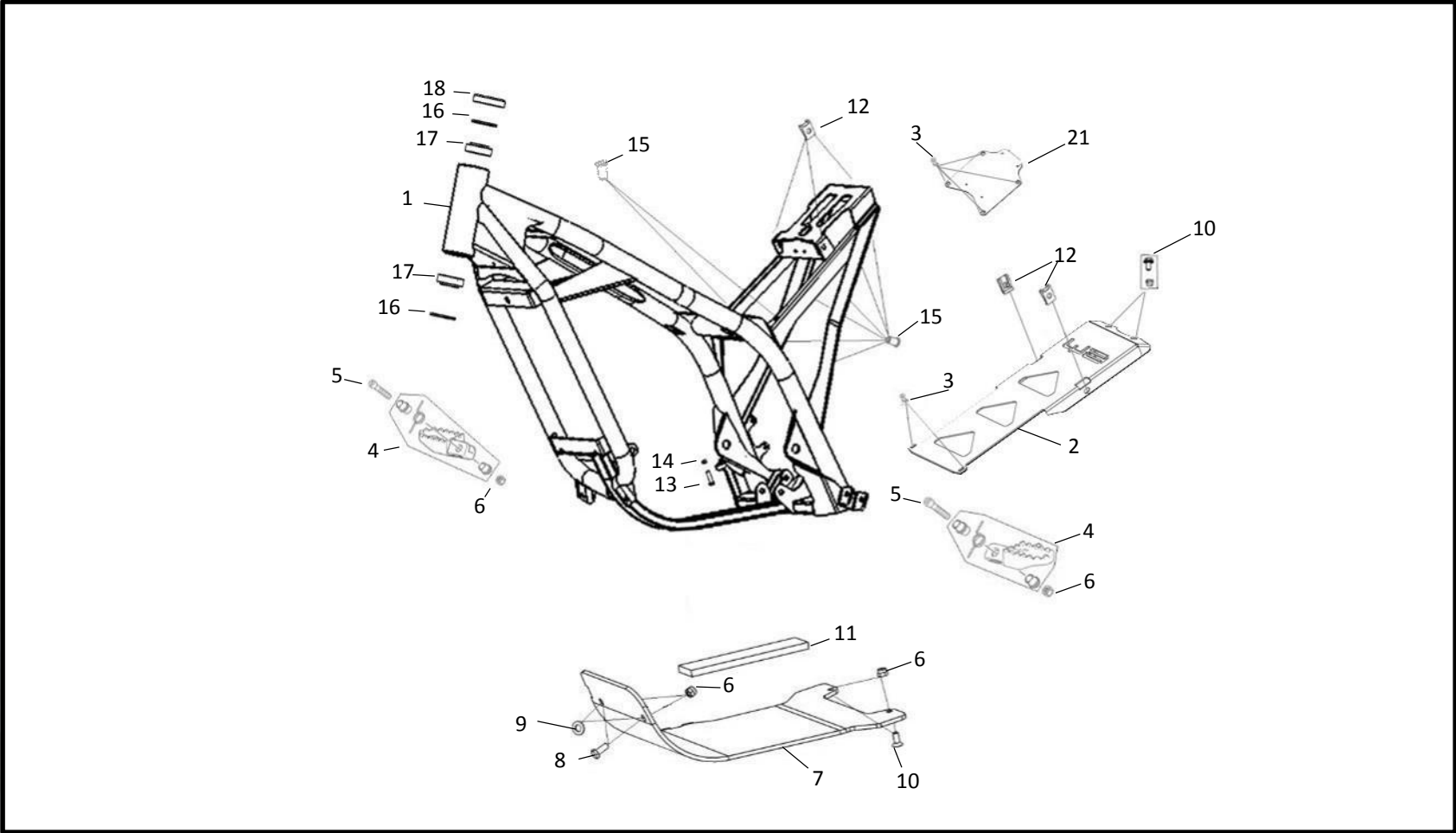


em KIT ESCAPE / ESCAPE KIT 12



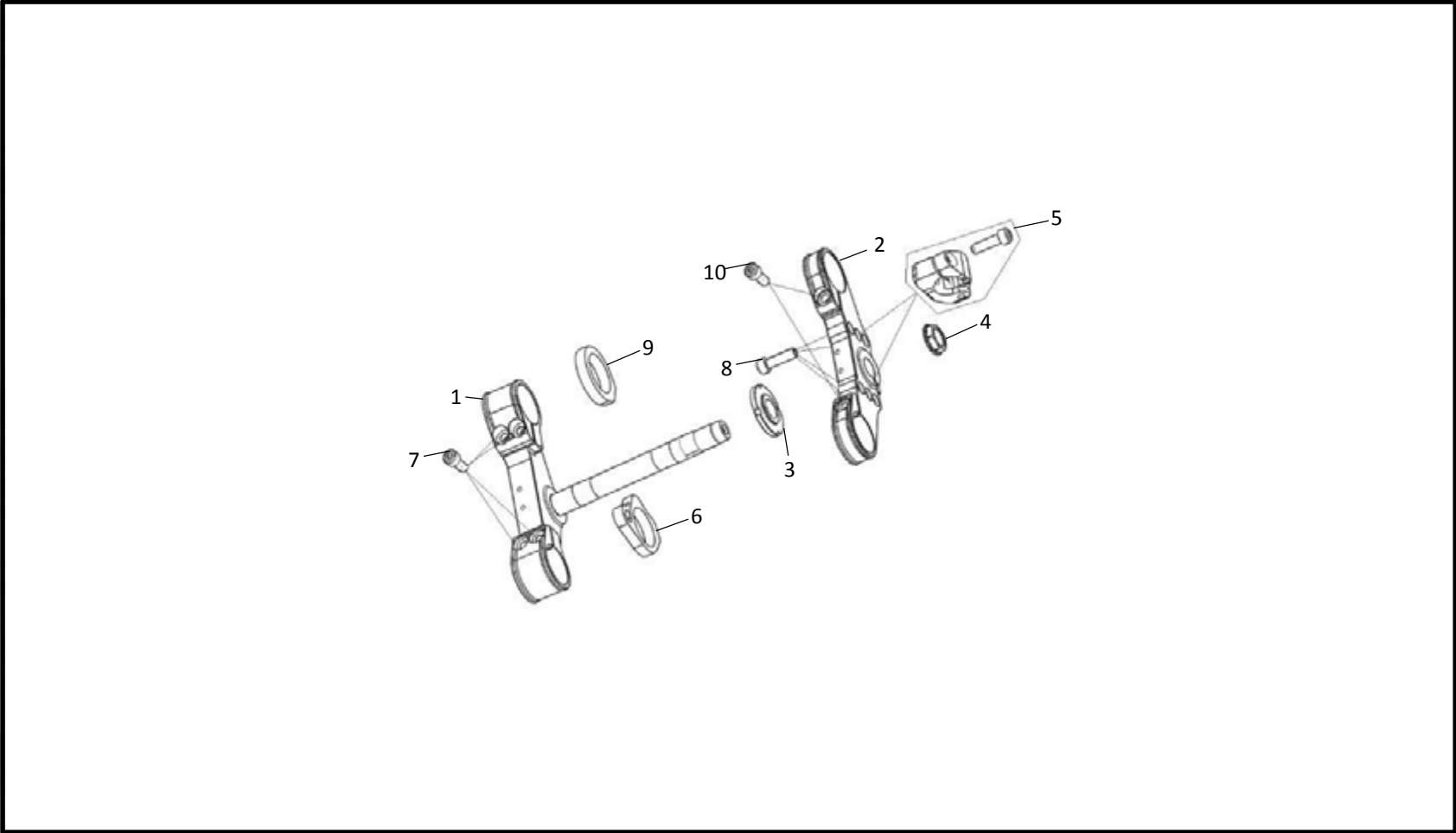


CADRE / FRAME

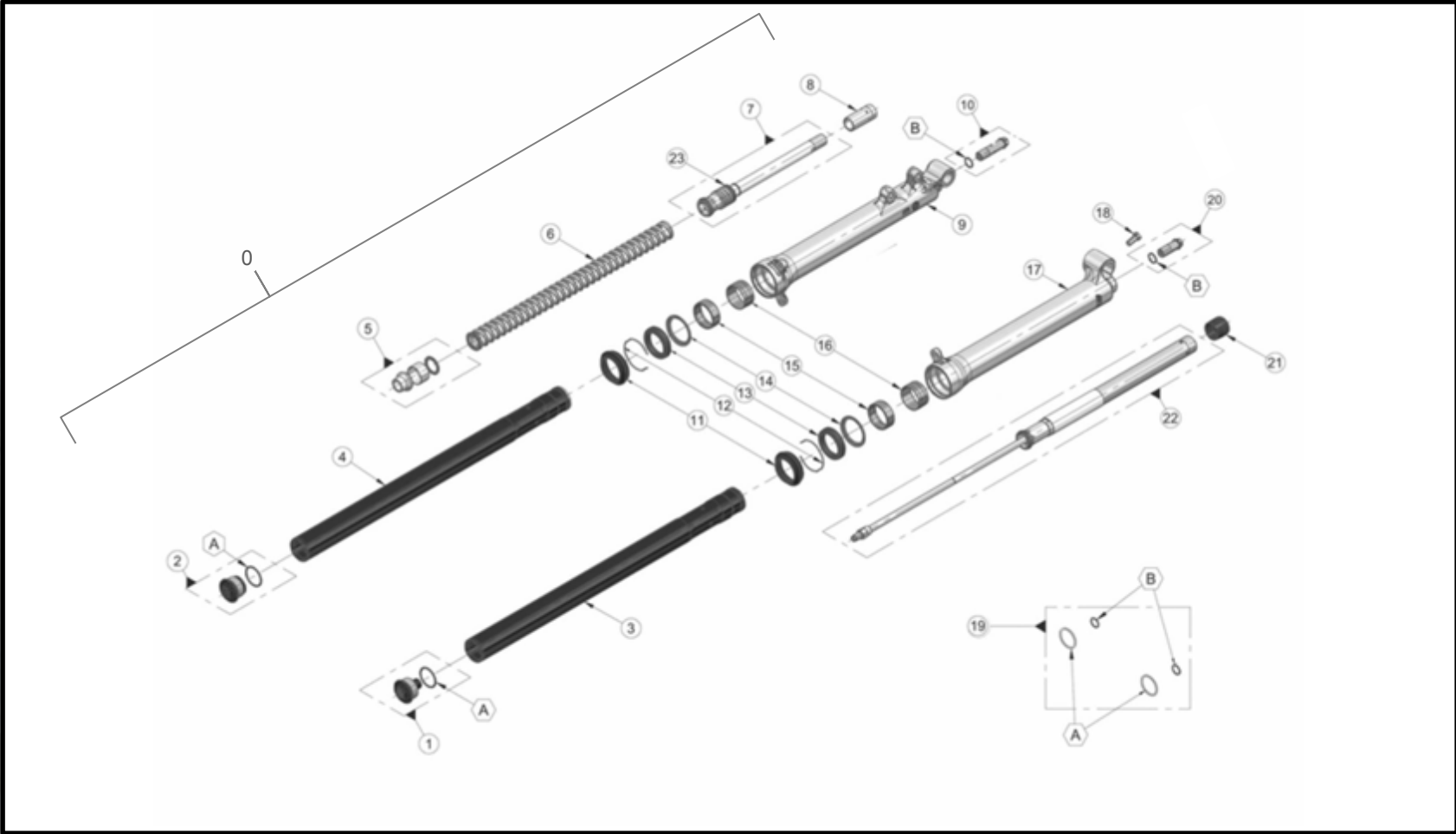


N°	REFERENCE	FRANCAIS	ENGLISH	QUANTITY
1	TL01M-10101-00-00	CADRE	FRAME	1
2	TL01N-10203-00-00	PLATINE PACK BATTERIE	BATTERY PACK PLATE	1
3	ORV01-04008-10-00	RIVET 4 X 10	RIVET 4 X 10	6
4	TL01J-10105-00-00	PAIRE DE REPOSE PIED COMPLET	SET FOOTREST	1
5	0V010-08045-00-00	VIS CHC 8 X 45	SCREW CHC 8 X 45	2
6	0EC06-08000-00-00	ECROU NYLSTOP M8 HAUT	NUT NYLSTOP M 8	6
7	TL01N-10104-00-00	SABOT MOTEUR	ENGINE PROTECTOR PLATE	1
8	0V050-08020-00-00	VIS TH 8 X 20	SCREW TH 8 X 20	2
9	0R001-8D018-02-00	RONDELLE M 8	WASHER M 8	2
10	0V020-08020-00-00	VIS FHC 8 X 20	SCREW FHC 8X 20	2
11	TL01J-60303-00-00	TAMPON SABOT	FRAME RUBBER	1
12	0CE06-16024-09-ZI	ECROU CLIP M 6	FAST NUT M 6	5
13	0V050-05020-00-00	VIS TH 5 X 20	SCREW TH 5 X 20	1
14	0EC03-05000-00-00	DEMI-ECROU M 5	MIDLE NUT M 5	1
15	0EC10-05013-00-00	RIVET TUBULAIRE M 5	TUBULAR RIVET M 5	8
16	TL01J-20504-00-00	RONDELLE DIRECTION	STEERING WASHER	2
17	TL01J-20508-00-00	ROULEMENT DIRECTION	STEERING BEARING	2
18	TL01J-20506-00-00	CACHE POUSSIERE	DUST COVER	1
19	0EC08-06000-00-00	ECROU NYLSTOP M6	NUT NYLSTOP M 6	2
20	0V150-06012-00-00	VIS THE 6 X 12	THE 6 x 12 SCREW	2
21	TL01N-10208-00-00	SUPPORT CONTROLEUR	CONTROLLER SUPPORT	1

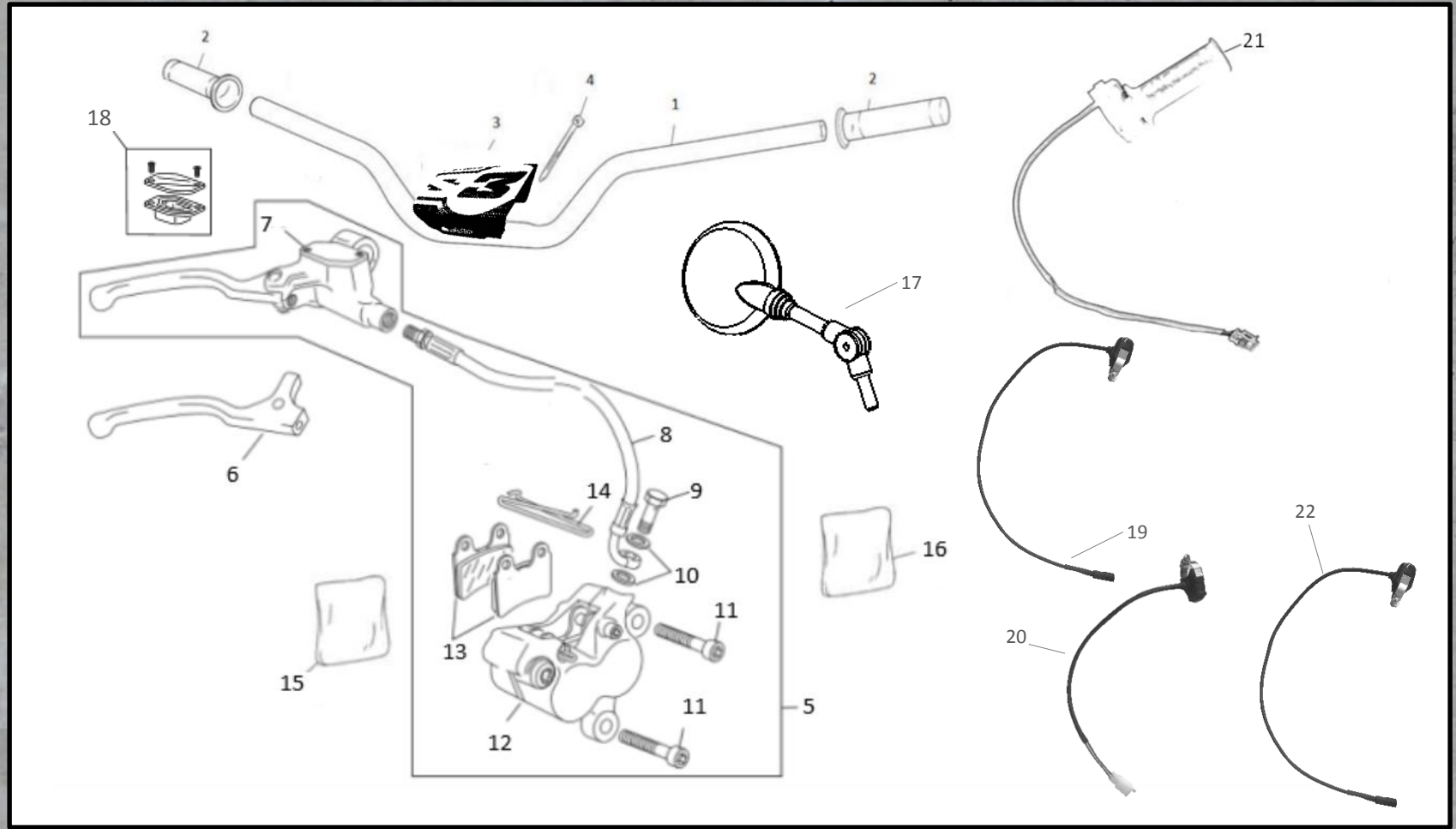
DIRECTION / STEERING



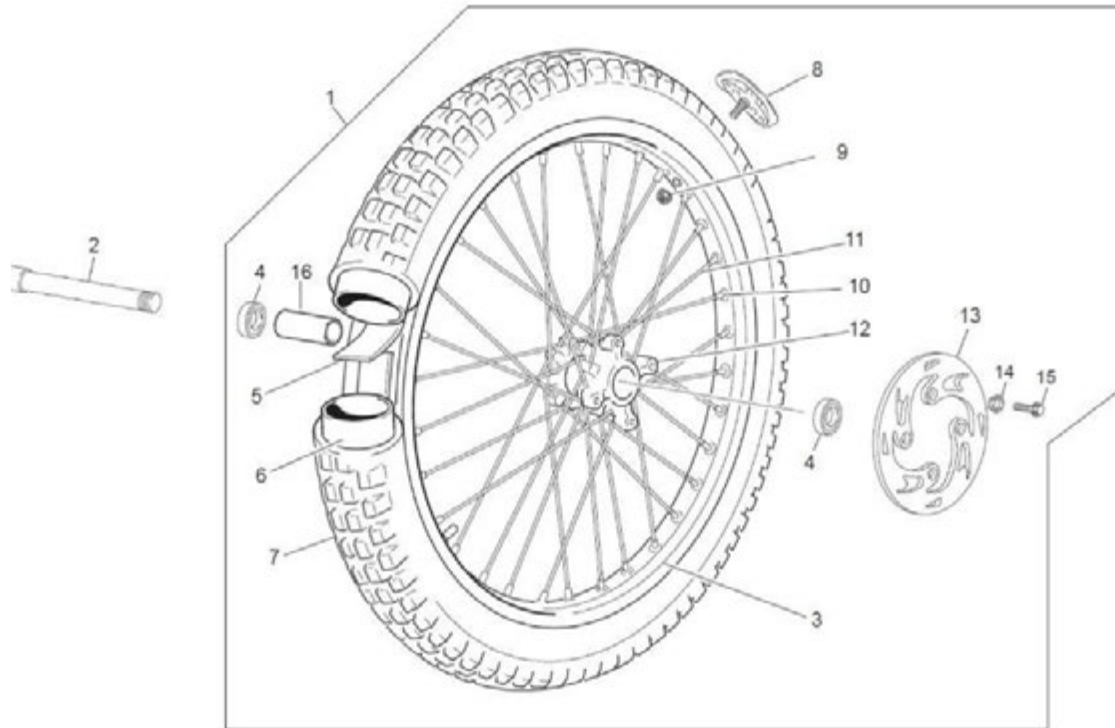
N°	REFERENCE	FRANCAIS	ENGLISH	QUANTITY
1	TL01N-20501-39-00	TE INFERIEUR + PIVOT	LOWER FORK CLAMP ASSY	1
2	TL01N-20502-39-00	TE SUPERIEUR	UPPER FORK CLAMP	1
3	TL01K-20505-00-00	ECROU PRESSION	STEERING TOP BEARING NUT	1
4	TL01K-20507-00-00	ECROU PIVOT	STEERING AXLE TOP NUT	1
5	TL01N-20510-00-00	PAIRE DE PONTETS DE GUIDON	HANDLEBAR CLAMP SET	1
6	TL01K-60304-00-39	BUTEE DE DIRECTION GAUCHE	LEFT STEERING STOP	1
7	0V010-08020-00-00	VIS CHC 8 X 20	SCREW CHC 8 X 20	4
8	0V010-08030-00-00	VIS CHC 8 X 30	SCREW CHC 8 X 30	4
9	TL01K-60306-00-00	BUTEE DE DIRECTION DROITE	RIGHT STEERING STOP	1
10	0V010-08025-00-00	VIS CHC 8 X 25	SCREW CHC 8 X 25	4



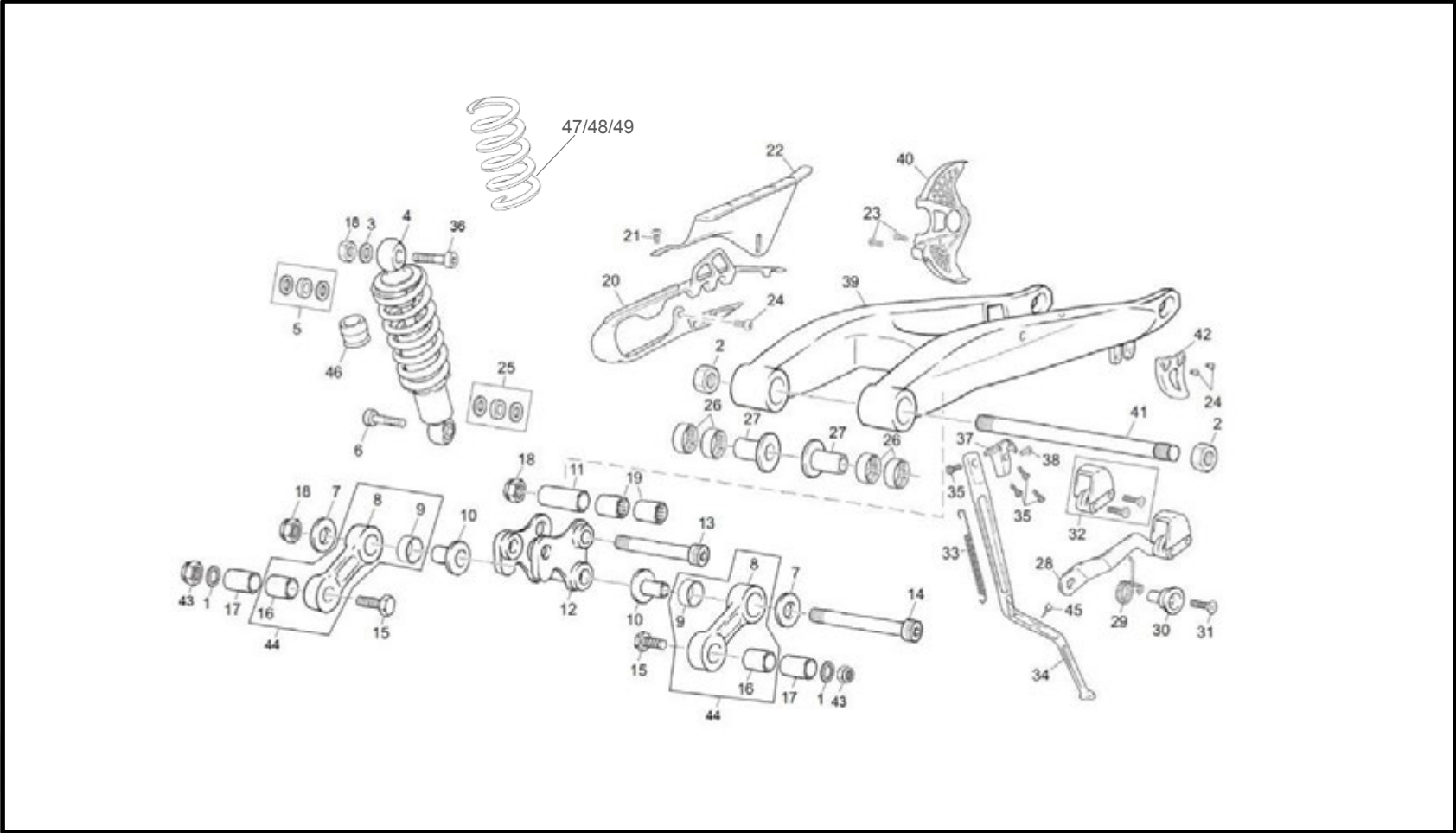
N°	REFERENCE	Français	ENGLISH	QUANTITY
0	TL01K-20101-00-00	FOURCHE COMPLETE	COMPLETE FORK	1
1	TL01K-20114-00-00	GROUPE BOUCHON HAUT EXTENSION	GROUP TOP CAP EXTENSION	1
2	TL01K-20113-00-00	GROUPE BOUCHON HAUT PRECHARGE RESSORT	GROUP TOP CAP PRELOAD SPRING	1
3	TL01K-20107-00-00	TUBE FOURCHE DROIT	GROUP STANCHION TUBE REPLAY RIGHT	1
4	TL01K-20106-00-00	TUBE FOURCHE GAUCHE	GROUP STANCHION TUBE REPLAY LEFT	1
5	TL01K-20111-00-00	GROUPE ENTRETOISE RESSORT TECH	GROUP SPACERS SPRING	1
6	TL01K-20109-00-00	RESSORT FOURCHE (progr 1) TECH	FORK SPRING (progr. 1)	1
7	TL01K-20132-00-00	GROUPE POMPANTE	GROUP MECHANICAL PUMPING	1
8	TL01K-20118-00-00	CONE BUTEE GAUCHE	CONE LIMIT LEFT	1
9	TL01N-20102-00-00	FOURREAU FOURCHE GAUCHE	LEFT LEG	1
10	TL01K-20129-00-00	GROUPE DE REGULATION AIGUILLE	NEEDLE REGULATION GROUP	1
11	TL01K-20115-00-00	CACHE POUSSIERE	DUST SEAL	2
12	TL01K-20116-00-00	JONC MAINTIEN JOINT SPI	RING STOPPER OIL SEAL	2
13	TL01K-20117-00-00	JOINT SPI	OIL SEAL	2
14	TL01K-20120-00-00	BAGUE DE GUIDAGE	RING STOP BUSHING OIL SEAL	2
15	TL01K-20110-00-00	BAGUE DU Ø39xØ43x15	BUSH DU Ø39xØ43x15	2
16	TL01K-20112-00-00	BAGUE DU Ø38xØ40x20	BUSH DU Ø38xØ40x20	2
17	TL01N-20103-00-00	FOURREAU FOURCHE DROIT	RIGHT LEG	1
18	TL01K-20125-00-00	VIS TCCEIB m8x18 DIN 7984	SCREW TCCEIB M8x18 DIN 7984	1
19	TL01K-20122-00-00	GROUPE JOINT THORIQUES	GROUP RINGS SEAL	2
20	TL01K-20124-00-00	GROUPE VIS BLOCAGE HYDRAULIQUE	GROUP LOCK SCREW HYDRAULIC PUMP	1
21	TL01K-20123-00-00	CONE DE LIMITE DROIT	CONE LIMIT RIGHT	1
22	TL01K-20131-00-00	GROUPE CARTOUCHE	GROUP CARTRIDGE	1
23	TL01K-20130-00-00	SUPPORT ANNEAU BUTEE RESSORT	SUPPORT RING FOR SPRING LIMIT	1



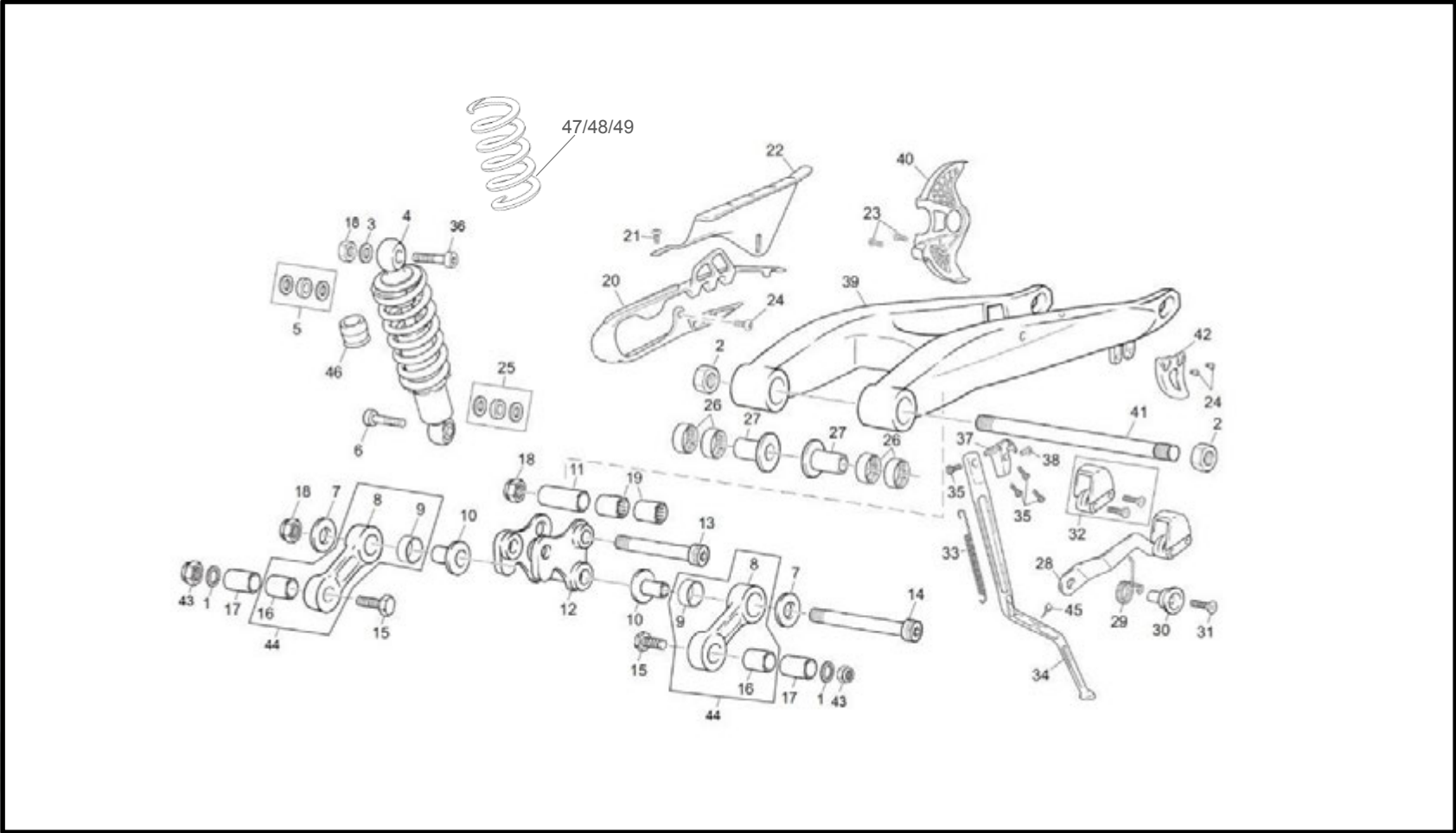
N°	REFERENCE	FRANCAIS	ENGLISH	QUANTITY
1	TL01N-20511-00-00	GUIDON TRIAL	HANDELBAR TRIAL	1
2	TL01J-60405-00-00	POIGNEE CAOUTCHOUC PAIRE	GRIPS SET	1
3	TL01J-60305-00-00	PROTECTION GUIDON	HANDELBAR PROTECTION	1
4	0C001-05178-00-N0	COLLIER RYSLAN 178 X 4,8	ZIP TIE 178 X 4,8	1
5	TL01M-20200-00-00	LIGNE FREIN AVANT COMPLETE	FRONT BRAKE ASSY	1
6	TL01M-20211-00-00	LEVIER FREIN AVANT	FRONT BRAKE LEVER	1
7	TL01M-20210-00-00	MAITRE CYLINDRE AVANT	FRONT BRAKE MASTER CYLINDER ASSY	1
8	TL01M-20212-00-00	DURITE FREIN AVANT	FRONT BRAKE HOSE	1
9	0V040-08016-00-N0	VIS BHC 8 X 16 CARROSSERIE NOIR	SCREW BHC 8 X 16 CARROSSERIE BLACK	1
10	0R01-08021-00-00	RONDELLE BANJO M8	ALUMINIUM SEAL M8	2
11	TL01J-20204-00-00	AXE BLOCAGE PLAQUETTE AVANT	FRONT STOP PAD AXLE	2
12	TL01J-20217-00-00	ETRIER AVANT	FRONT CALIPER	1
13	TL01J-20205-00-00	KIT PLAQUETTE AVANT COMPLET	FRONT PAD KIT	1
14	TL01J-20203-00-00	CLIP EPINGLE PLAQUETTE	PAD PIN CLIP	1
15	TL01J-20220-00-00	KIT REPARATION MAITRE CYLINDRE AV	FRONT BRAKE PUMP KIT REPAIR	1
16	TL01J-20221-00-00	KIT REPARATION ETRIER AVANT	FRONT CALIPER REPAIR KIT	1
17	TL01K-60604-00-00	RETROVISEUR	MIRROR	1
18	TL01M-20225-00-00	KIT REPARATION POMPE FREIN AVANT	FRONT BRAKE GROUP	1
19	TL01N-60415-00-00	INDICATEUR LED	LED INDICATOR	1
20	TL01N-60101-00-00	AIMANT COUPE CIRCUIT	CIRCUIT BREAKER MAGNET	1
21	TL01N-60401-00-00	POIGNEE ACCELERATEUR	THROTTLE HANDLE	1
22	TL01N-60407-00-00	COMMODO MAP PUSH	COMMODO MAP PUSH	1



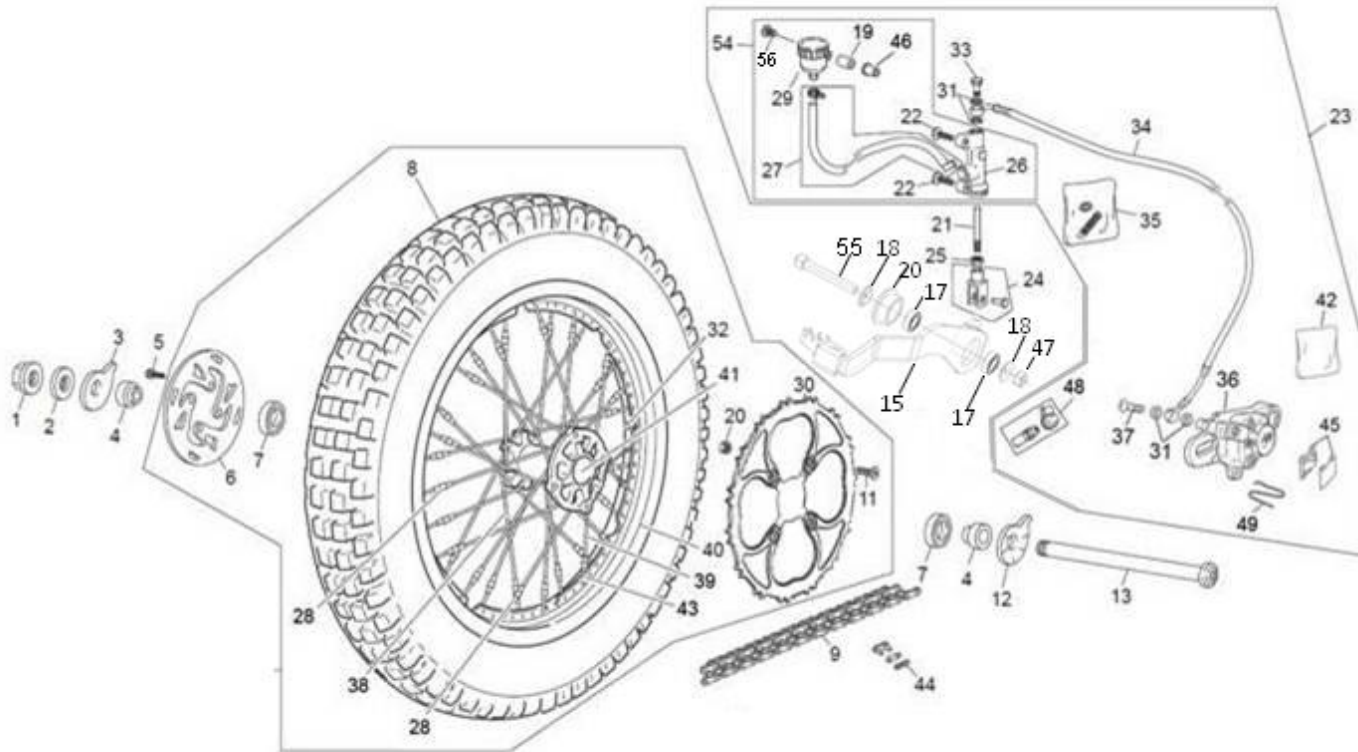
N°	REFERENCE	Français	ENGLISH	QUANTITY
1	TL01N-20301-00-00	ROUE AVANT TRIAL	FRONT WHEEL ASSY	1
2	TL01K-20404-00-00	AXE ROUE AVANT	FRONT WHEEL AXLE	1
3	TL01N-20311-00-01	JANTE AVANT TRIAL 32 RAYONS	FRONT TRIAL 32 SPOKES RIM	1
4	ORBR1-06004-01-00	ROULEMENT DE MOYEU 6004 2RS	6004 2RS HUB BEARING	2
5	TL01J-20322-00-00	RUBAN FOND DE JANTE	PROTECTEUR RIM RUBBER	1
6	TL01J-20323-00-00	CHAMBRE A AIR 21"	21" TUBE	1
7	TL01J-20312-00-00	PNEU AVANT 2,75X21	2,75 X 21" FRONT TYRE	1
8	TL01J-20321-00-00	GRIPSTER	GRIPSTER	1
9	0EC08-08000-00-00	ECROU NYLSTOP M8	NUT NYLSTOP M 8	1
10	TL01J-20313-00-00	ECROU DE RAYON AVANT	FRONT SPOKE NIPPLE	32
11	TL01J-20314-00-00	RAYON NOIR DE ROUE AVANT	BLACK FRONT SPOCKE	32
12	TL01J-20310-00-00	MOYEU AVANT COMPLET	FRONT HUB ASSY	1
13	TL01J-20222-00-00	DISQUE FREIN AVANT TRIAL	FRONT BRAKE DISC TRIAL	1
14	TL01J-20223-00-00	ENTRETOISE DISQUE AVANT	FRONT DISC SPACER	4
15	0V150-06020-00-00	VIS HEXAGONALE EPAULE M6 X 20	SPECIAL EXAGONAL SCREW M 6 X 20	4
16	TL01J-20316-00-00	ENTRETOISE INTERNE MOYEU	FRONT HUB SPACER	1



N°	REFERENCE	FRANCAIS	ENGLISH	QUANTITY
1	0R002-8C013-02-00	RONDELLE AET 8	WASHER AET 8	2
2	TL01J-30103-00-00	ECROU AXE BRAS OSCILLANT 14	SWINGARM NUT 14	2
3	0R001-10020-02-00	RONDELLE M 10	WASHER M 10	2
4	TL01K-30401-00-00	AMORTISSEUR ALUMINIUM	ALUMINIUM REAR SHOCK	1
5	TL01J-30411-00-00	KIT ROTULE AMORTISSEUR SUPERIEUR	SUPERIOR BALL AND SOCKET SEAL	1
6	0V010-10042-04-00	VIS M10 X 42	AXLE 10 X 42	1
7	0R001-10030-02-00	RONDELLE M 10 X 30	WASHER 10 X 30	2
8	TL01J-30111-00-00	BIELLETTTE DE SUSPENSION	REAR SUSPENSION LINK	2
9	0DF01-16018-15-00	DOUILLE FRICTION 16X18X15	GLACIER BUSHING 16X18X15	2
10	TL01J-30109-00-00	ENTRETOISE BIELLETTE-BASCULEUR	SPACER SWING ARM	2
11	TL01J-30107-00-00	ENTRETOISE SUSPENSION	SUSPENSION SPACER	2
12	TL01K-30108-00-00	BASCULEUR SUSPENSION	REAR SUSPENSION DELTA LINK	1
13	0V010-10072-04-00	VIS CHC M10 X 72	CHC SCREW 10 x 72	1
14	0V010-10120-04-00	VIS CHC M10 X 120	CHC SCREW 10 X 120	1
15	0V100-08035-00-00	VIS HEXA TETE BASSE M8 X 35	HEGAGONAL SCREW 8 X 35	2
16	0DF01-14016-15-00	DOUILLE FRICTION 14X16X15	GLACIER BUSHING 14X16X15	2
17	TL01J-30113-00-00	ENTRETOISE TIRANT-CADRE	FRAME LINK SPACER	2
18	0EC08-10000-00-00	ECROU NYLSTOP M10	NUT NYLSTOP M 10	3
19	TL01J-30106-00-00	DOU. AIGUI. BRAS/SUSP HK16X20X2RS	NEEDLE BEARING 16 X 20 X 2RS	2
20	TL01J-30140-00-00	PATIN DE CHAINE	CHAIN GUIDE	1
21	0V040-05016-00-00	VIS BHC M5 X 16	SCREW BHC 5 X 16	1
22	TL01J-30141-00-00	CARTER DE CHAINE	CHAIN PROTECTOR	1
23	0V040-06010-00-00	VIS BHC M6 X 10	SCREW BHC 6 X 10	2
24	0V040-05010-00-00	VIS BHC M5 X 10	SCREW BHC 5 X 10	4
25	TL01J-30412-00-00	KIT ROTULE AMORTISSEUR INFERIEUR	INFERIOR BALL AND SOCKET SEAL	1

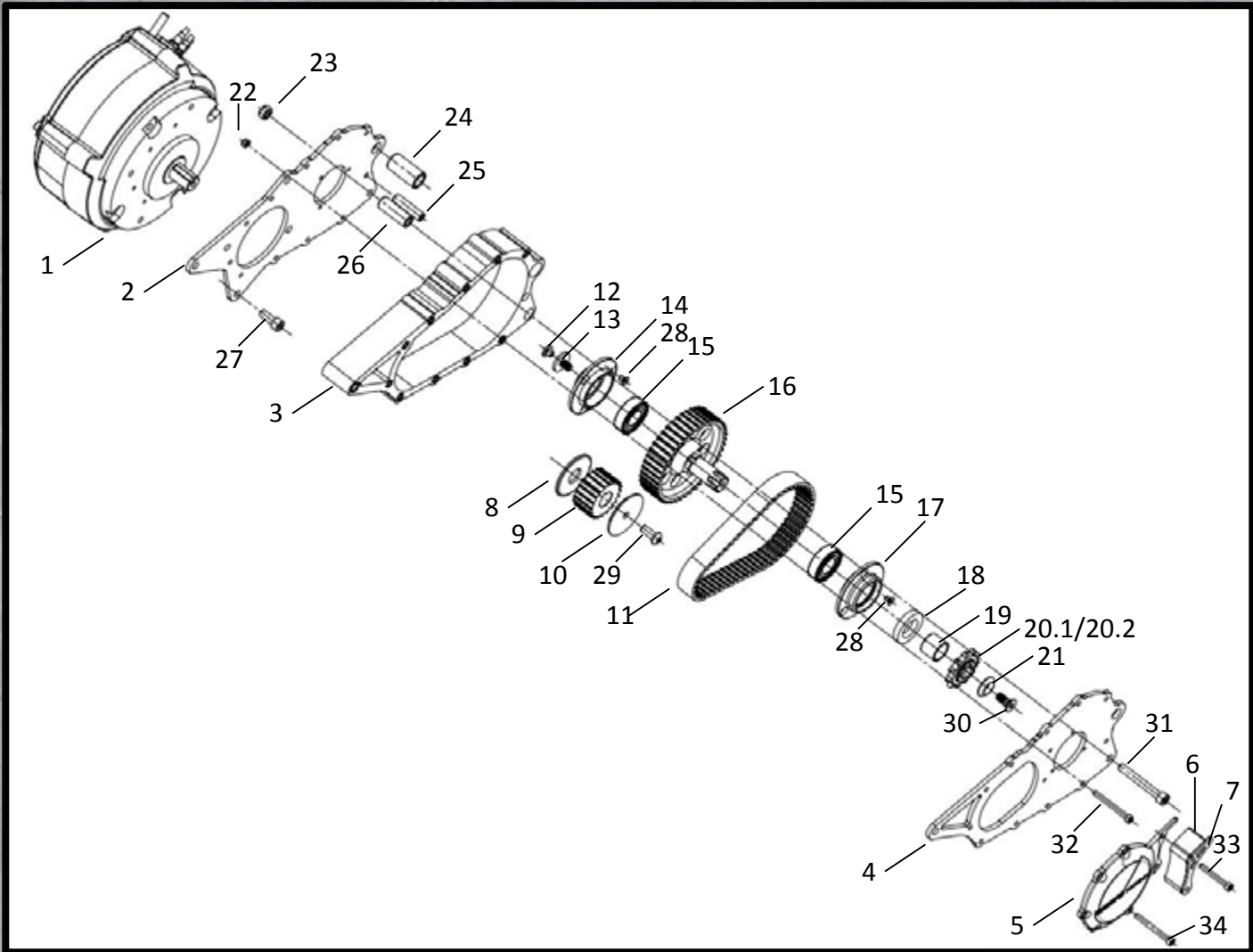


N°	REFERENCE	FRANCAIS	ENGLISH	QUANTITY
26	TL01J-30104-00-00	DOUILLE AIGUILLE BRAS HK20X20X2 RS	NEEDLE BEARING 20 X 20 X 2RS	4
27	TL01J-30105-00-00	ENTRETOISE ARTICULATION BRAS	SWINGARM SPACER	2
28	TL01J-30130-00-00	TENDEUR DE CHAINE	CHAIN TENSIONER	1
29	TL01J-30132-00-00	RESSORT TENDEUR DE CHAINE	CHAIN TENSIONER SPRING	1
30	TL01J-30131-00-00	ENTRETOISE TENDEUR DE CHAINE	CHAIN TENSIONER SPACER	1
31	0V020-08035-00-00	VIS FHC M8 X 35	SCREW FHC 8 X 35	1
32	TL01J-30130-02-ASM	CAOUTCHOUC TENDEUR	CHAIN TENSIONER RUBBER	1
33	TL01J-30123-00-00	RESSORT DE BEQUILLE	LATERAL STAND SPRING	1
34	TL01J-30121-00-00	BEQUILLE	LATERAL STAND	1
35	0V040-08012-00-00	VIS BHC M8 X 12	SCREW BHC 8 X 12	4
36	0V010-10050-04-00	VIS CHC M10 X 50	AXLE 10 X 50	1
37	TL01J-30120-00-00	SUPPORT BEQUILLE	STAND HOLDER	1
38	TL01J-30122-00-00	VIS SPECIALE BEQUILLE	SPECIAL STAND SCREW	1
39	TL01J-30101-00-00	BRAS OSCILLANT	SWINGARM	1
40	TL01J-30142-00-00	PROTEGE DISQUE ARRIERE	BRAKE DISC PROTECTOR	1
41	TL01J-30102-00-00	AXE BRAS OSCILLANT	SWING ARM AXLE	1
42	TL01J-30143-00-00	PROTEGE COURONNE	SPROKET PROTECTOR	1
43	0EC08-08000-00-00	ECROU NYLSTOP M8	NUT NYLSTOP M 8	2
44	TL01J-30111-01-ASM	BIELLETEDE SUSPENSION COMPLETE	REAR SUSPENSION LINK ASSY	2
45	TL01J-30144-00-00	CAOUTCHOUC MAINTIEN DE BEQUILLE	STAND RUBBER	1
46	TL01J-30401-10-ASM	BUTEE CAOUTCHOUC AMORTISSEUR	REAR SHOCK RUBBER	1
47	TL01J-30401-R2-ASM	RESSORT AMORTISSEUR SOUPLE	SOFT REAR SHOCK SPRING	1
48	TL01J-30401-R1-ASM	RESSORT AMORTISSEUR MEDIUM	MEDIUM REAR SHOCK SPRING	1
49	TL01J-30401-R3-ASM	RESSORT AMORTISSEUR DUR	HARD REAR SHOCK SPRING	1

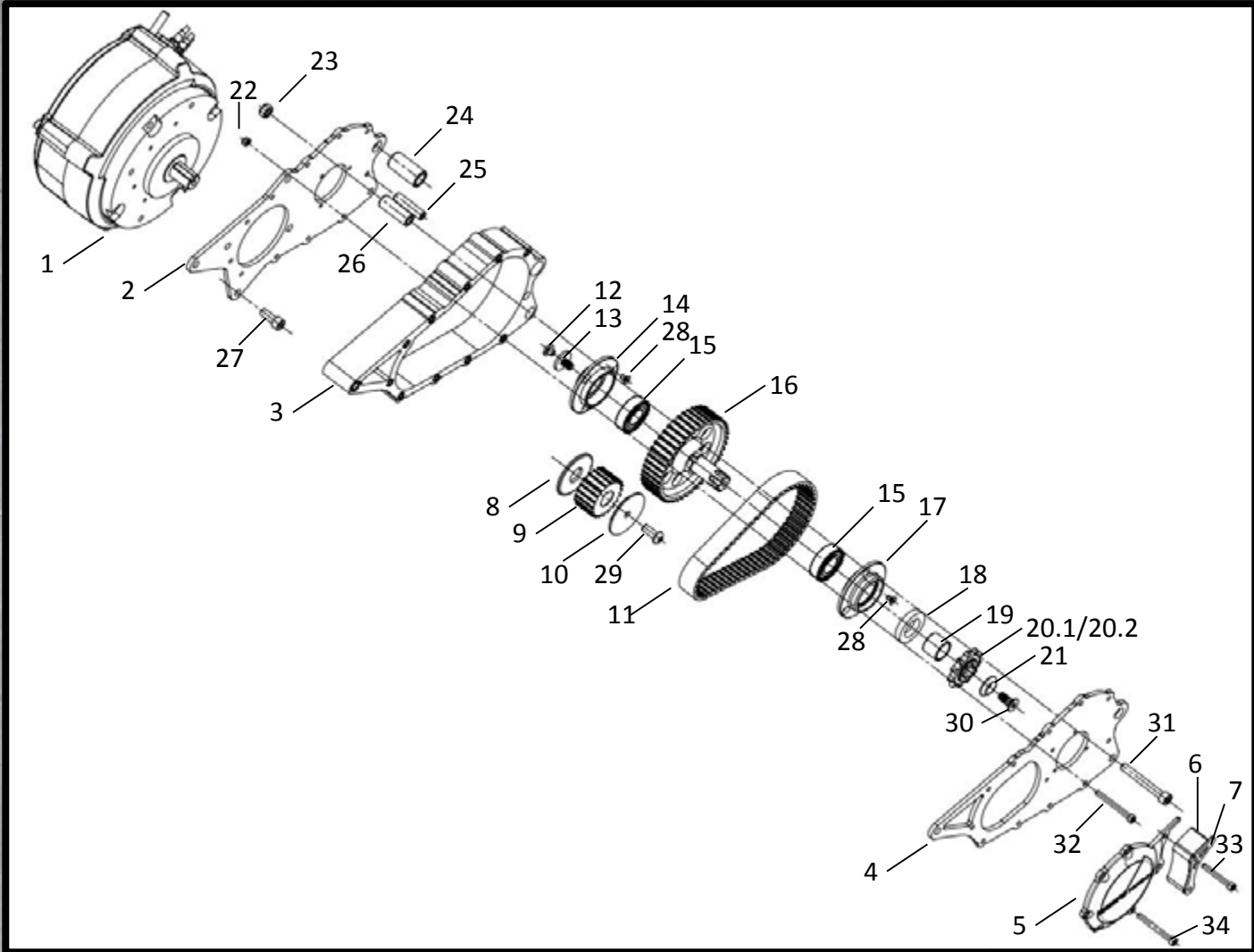


N°	REFERENCE	FRANCAIS	ENGLISH	QUANTITY
1	TL01J-30303-00-00	ECROU ROUE ARRIERE	NUT M 17	1
2	0R001-16030-03-00	RONDELLE M 16	WASHER M 16	1
3	TL01J-30305-00-00	EXCENTRIQUE DROIT	RIGHT CHAIN CAM ADJUSTER	1
4	TL01J-30306-00-00	ENTRETOISE ROUE ARRIERE	REAR WHELL SPACER	2
5	0V150-06020-00-00	VIS TH E 6 X 20	SCREW TH E 6 X 20	4
6	TL01J-30203-00-00	DISQUE FREIN ARRIERE TRIAL	REAR BRAKE TRIAL DISC	1
7	0RBR1-06004-01-00	ROULEMENT DE MOYEU 6004 2RS	6004 2RS HUB BEARING	2
8	TL01J-30312-00-00	PNEU ARRIERE TRIAL X LITE MICHELIN	REAR TRIAL TYRE X LITE MICHELIN	1
9	0CHA4-28130-00-05	CHAINE FAIBLE FROTTEMENT	LOW FRICTION CHAIN	1
11	0V020-08025-00-00	VIS FHC 8 X 25	SCREW FHC 8 X 25	4
12	TL01J-30304-00-00	EXCENTRIQUE GAUCHE	LEFT CHAIN CAM ADJUSTER	1
13	TL01J-30302-00-00	AXE ROUE ARRIERE	REAR WHEEL AXLE	1
14	0CP01-0201B-00-00	CIRCLIP D 15	CIRCLIP M 15	1
15	TL01N-30201-00-00	PEDALE FREIN ARRIERE	REAR BRAKE PEDAL	1
16	TL01J-30301-00-00	ROUE ARRIERE TRIAL	REAR TRIAL WHEEL ASSY	1
17	0RBR2-08005-02-00	ROULEMENT 688 2RS	BEARING 688 2RS	2
18	TL01N-30201-01-02	ENTRETOISE PEDALE DE FREIN	BRAKE PEDAL SPACER	2
19	0E05B-10015-00-00	ENTRETOISE BOCAL FREIN	BRAKE TANK SPACER	1
20	0EC08-08000-00-00	ECROU NYLSTOP M8	NUT NYLSTOP M8	4
21	TL01J-30221-00-00	TIGE FREIN ARRIERE	REAR BRAKE ROD	1
22	0V040-06016-00-00	VIS BHC 6 X 16	SCREW BHC 6 X 16	2
23	TL01J-30200-00-00	GROUPE FREIN ARRIERE	REAR BRAKE ASSY	1
24	TL01J-30220-00-00	CHAPE PEDALE FREIN	BRAKE PEDAL CLEVIS	1
25	0EC02-06000-00-00	ECROU STANDARD M6	STANDARD NUT M 6	1

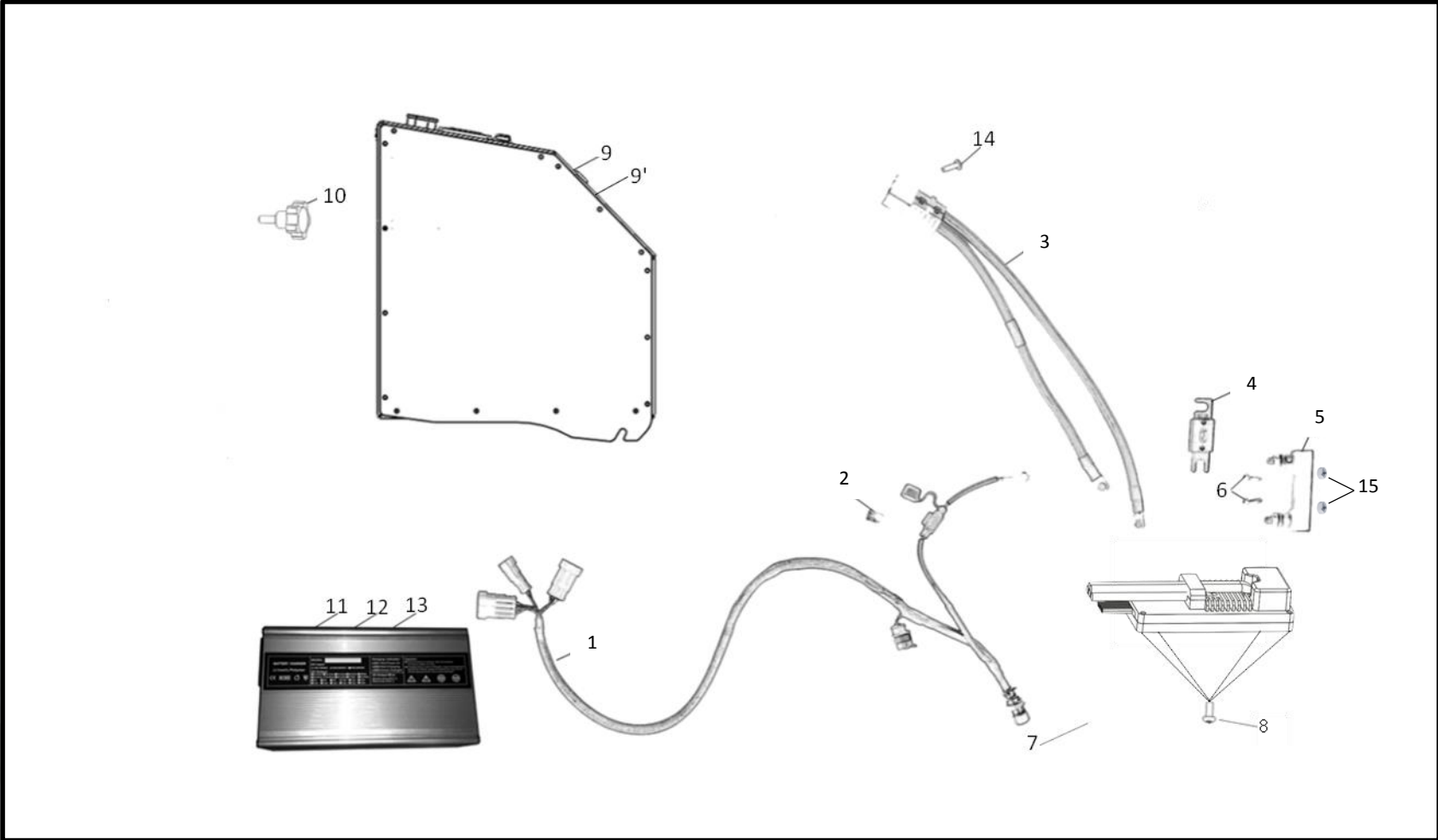
N°	REFERENCE	FRANCAIS	ENGLISH	QUANTITY
26	TL01J-30202-00-00	POMPE FREIN AR	REAR BRAKE PUMP	1
27	TL01J-30210-00-00	TUBE LIQUI. FREIN BOCAL/POMPE	OIL TANK PIPE	1
28	TL01J-30313-00-00	ECROU DE RAYON ARRIERE	REAR SPOKE NIPPLE	32
29	TL01J-30209-00-00	BOCAL LIQUIDE FREIN	OIL BRAKE TANK	1
30	OCR80-02428-57-00	COURONNE 57D FRICTION REDUITE	DRIVEN SPROCKET 57 T REDUCED FRICTION	1
31	OJA00-10014-1E-00	RONDELLE 10 X 14 X 1,5	WASHER 10 X 14 X 1,5	4
32	TL01J-30320-00-00	VALVE TUBELESS	TUBELESS VALVE	1
33	0V160-10021-00-0	VIS RACCORD BHC M10 X 21	SCREW BHC PRESSURE HOSE	1
34	TL01J-30208-00-00	DURITE FREIN ARRIERE	REAR BRAKE HOSE	1
35	TL01J-30212-00-00	KIT REPARATION POMPE FREIN ARRIERE	REAR BRAKE PUMP KIT REPAIR	1
36	TL01J-30204-00-00	ETRIER FREIN ARRIERE	REAR BRAKE CALIPER	1
37	0V140-10021-00-00	VIS RACCORD TH M10 X 21	SCREW TH PRESSURE HOSE	1
38	TL01J-30316-00-00	RAYON NOIR ROUE ARR 32 R DISQUE	REAR WHELL DISC SPOCKE	16
39	TL01J-30315-00-00	RAYON NOIR ROUE ARR 32 R COURONNE	REAR WHELL SPROCKET SPOCKE	16
40	TL01N-30311-00-01	JANTE ARRIERE TRIAL 32 RAYONS	REAR TRIAL 32 SPOKES WHELL	1
41	TL01J-30310-00-00	MOYEU ARRIERE	REAR HUB	1
42	TL01J-30213-00-00	KIT REPARATION ETRIER ARRIERE	REAR CALIPER REPAIR KIT	1
43	TL01J-30314-00-00	RAYON NOIR COURT ARRIERE	REAR WHEEL SHORT SPOKE	32
44	0AT02-42800-00-00	ATTACHE RAPIDE DE CHAINE	CONNECTING LINK	1
45	TL01J-30205-00-00	PLAQUETTES FREIN ARRIERE PAIRE	PAIR REAR BRAKE PAD	1
46	0ECWE-05015-00-00	ECROU WELNUT M 5	RUBBER WELNUT M 5	1
47	0R001-08025-02-00	RONDELLE M8 X 25	WASHER M8 X 25	1
48	TL01J-30207-00-00	VIS PURGE AVEC BOUCHON ARR	REAR BLEEDER CAP ASSY	1
49	TL01J-30206-00-00	AXE EPINGLE PLAQUETTE	PAD PIN CLIP	1
50	TL01J-30214-00-00	KIT PLAQUETTES ARRIERE COMPLET	REAR PAD KIT	1
54	TL01J-30215-00-00	KIT POMPE / BOCAL FREIN ARR	REAR BRAKE PUMP / TANK KIT	1
55	0V010-0845-01-00	VIS CHC TETE BASSE M8 X 45	LOW-PROFILE CHC SCREW M8 X 45	1
56	0V04-05025-00-01	VIS CHC M5 X 25	SCREW CHC M5 X 25	1



N°	REFERENCE	FRANCAIS	ENGLISH	QUANTITY
1	TL01N-40100-10-00	MOTEUR COMPLET	MOTOR ASSY	1
2	TL01N-50102-01-00	PLATINE INTERIEURE TRANSMISSION	INSIDE TRANSMISSION PLATE	1
3	TL01N-50129-00-00	CARTER CENTRAL TRANSMISSION	TRANSMISSION CENTRAL HOUSING	1
4	TL01N-50101-01-00	PLATINE EXTERIEURE TRANSMISSION	OUTSIDE TRANSMISSION PLATE	1
5	TL01N-50137-00-00	CARTER TRANSMISSION	TRANSMISSION HOUSING	1
6	TL01N-50136-01-00	SUPPORT GUIDE CHAINE	CHAINGUIDE SUPPORT	1
7	TL01N-50136-02-00	GUIDE CHAINE	CHAINGUIDE	1
8	TL01N-50124-00-00	FLASQUE POULIE MENANTE INTERIEURE	INTERNAL DRIVING PULLEY FLANGE	1
9	TL01N-50123-00-00	POULIE MENANTE	DRIVING PULLEY	1
10	TL01N-50125-00-00	FLASQUE POULIE MENANTE EXTERIEURE	EXTERNAL DRIVING PULLEY FLANGE	1
11	0CR01-000M8-60-22	COUROIE	BELT	1
12	TL01N-50110-00-00	BOUCHON PROTECTION COQUILLE	PROTECTION SHELL CORK	1
13	TL01N-50134-00-00	ARRET AXIAL ROULEMENT	BEARING AXIAL STOP	1
14	TL01N-50107-01-00	COQUILLE PALLIER ROULEMENT INT	INTERNAL BEARING SHELL	1
15	0RBR2-020012-02-00	ROULEMENT POULIE MENE	DRIVEN PULLEY BEARING	2
16	TL01N-50126-01-00	POULIE MENE	DRIVEN PULLEY	1
17	TL01N-50106-01-00	COQUILLE PALIER ROULEMENT EXT	EXTERNAL BEARING SHELL	1
18	0SP24-04007-00-00	JOINT SPI	OIL SEAL	1
19	TL01N-50131-00-00	ENTRETOISE PIGNON SORTIE	OUTPUT PINION SPACER	1
20.1	0P316-20428-09-10	PIGNON 9 DENTS	9T FRONT SPROCKET	1
20.2	0P316-20428-11-10	PIGNON 11 DENTS	11T FRONT SPROCKET	1
21	TL01N-50135-00-00	RONDELLE CUVETTE	CONICAL SPRING WASHER	1
22	0EC14-05000-00	ECROU NYLSTOP M5	NUT NYLSTOP M5	6
23	0EC06-08000-00-00	ECROU NYLSTOP M8 HAUT	NUT NYLSTOP M8	2
24	TL01N-50133-03-00	ENTRETOISE PLATINES BRAS OSCILANT	PLATES SWING ARM SPACER	1
25	TL01N-50133-01-00	ENTRETOISE CARTER CENTRAL	CENTRAL HOUSING SPACER	11



N°	REFERENCE	FRANCAIS	ENGLISH	QUANTITY
26	TL01N-50133-02-00	ENTRETOISE PLATINES CADRE	PLATES FRAME SPACER	2
27	0V010-08020-00-00	VIS CHC M8x20	SCREW CHC M8x20	4
28	0V020-05010-00-00	VIS FHC M5x10	SCREW FHC M5x10	6
29	0V040-08020-00-00	VIS BHC M8x20	SCREW BHC M8x20	1
30	0V020-08020-00-00	VIS FHC M8x20	SCREW FHC M8x20	1
31	0V010-08070-00-00	VIS CHC M8x65	SCREW CHC M8x65	2
32	0V010-05055-00-00	VIS CHC M5x55	SCREW CHC M5x55	6
33	0V040-05040-00-00	VIS CHC M5x40	SCREW CHC M5x40	2
34	0V010-05065-00-00	VIS CHC M5x65	SCREW CHC M5x65	5

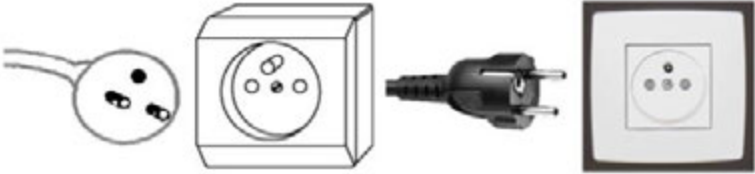


N°	REFERENCE	FRANCAIS	ENGLISH	QUANTITY
1	TL01N-50404-00-00	FAISCEAU PRINCIPAL	MAIN HARNESS	1
2	FUS02-00002-00-00	FUSIBLE 2A	2A FUSE	1
3	TL01N-50212-00-00	CABLE DECHARGE MOTO	MOTORCYCLE DISCHAGE CABLE	1
4	FUS01-00200-01-00	FUSIBLE PRINCIPAL 300A	300A MAIN FUSE	1
5	TL01H-50208-00-00	PORTE FUSIBLE PRINCIPAL	MAIN FUSE HOLDER	1
6	0V110-48016-00-00	VIS TOLE 4,8X16	SCREW 4,8X16	1
7	TL01N-50301-00-00	CONTROLEUR	CONTROLLER	1
8	0V040-05010-00-00	VIS BHC M5 X 10	SCREW BHC M5 X 10	4
9	TL01K-50200-25-00	PACK BATTERIE 24,5Ah	BATTERY PACK 24,5Ah	1
9'	TL01K-50200-16-00	PACK BATTERIE 16Ah	BATTERY PACK 16Ah	1
10	0V170-06015-00-00	MOLETTE M6 X 15	SPECIAL SCREW M6 X 15	3
11	CHG01-48006-02-01	CHARGEUR 6A	6A CHARGER OPTIONAL	1
12	CHG01-52010-02-01	CHARGEUR 10A SERIE	10A CHARGER SERIE	1
13	CHG01-52015-02-01	CHARGEUR 15A	15A CHARGER OPTIONAL	1
14	0V040-05020-00-00	VIS BHC M5 X 20	SCREW BHC M5 X 20	1
15	0EC02-08000-00-00	ECROU M8	M8 NUT	2

25

TYPE E


France - Belgique - Pologne - Slovaquie Rép. Tchèque
Tunisie & Maroc



26

TYPE G


UNITED KINGDOM



27

TYPE J

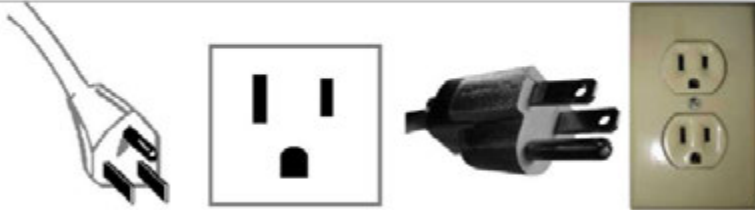
SUISSE



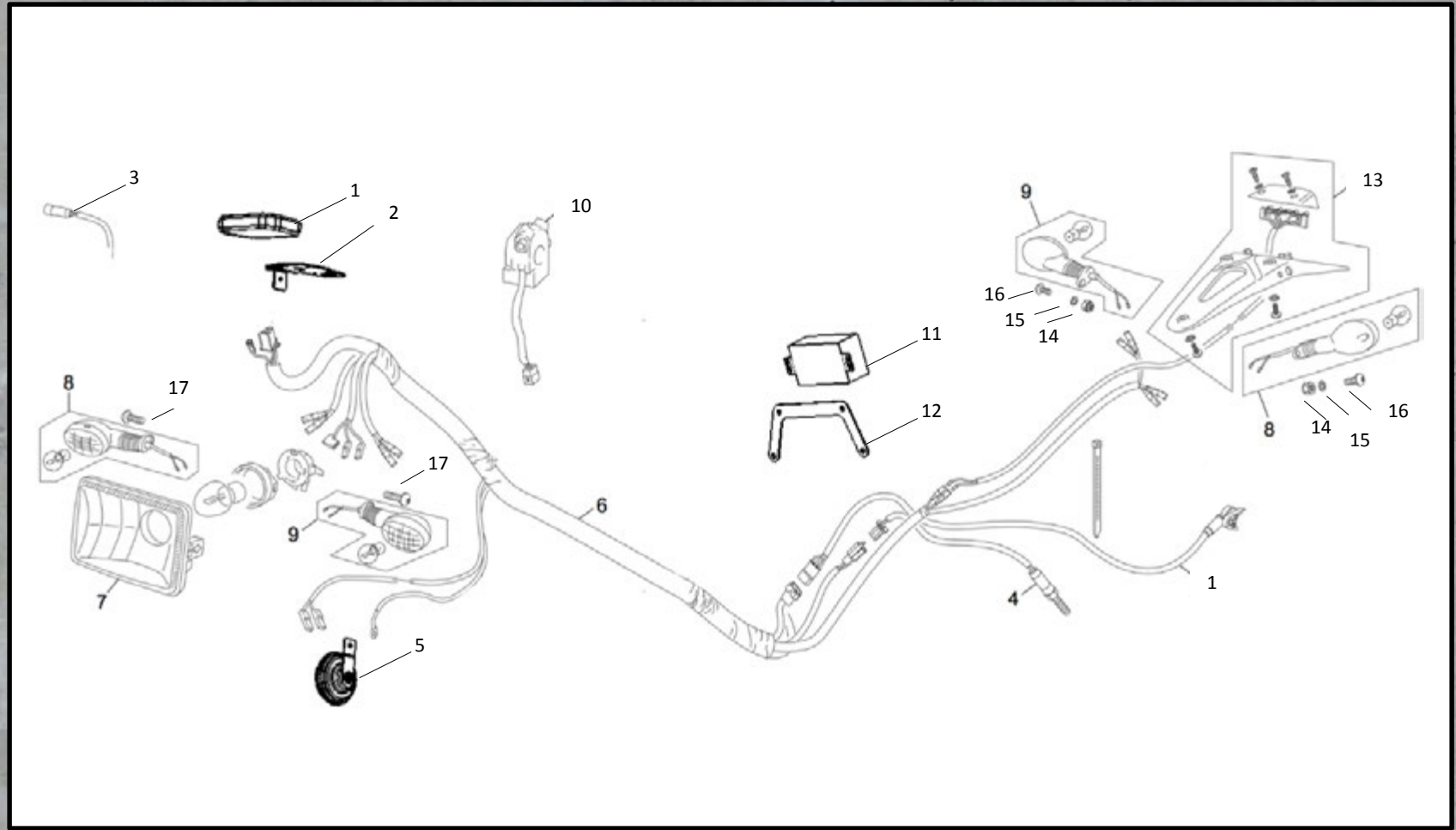
28

TYPE B

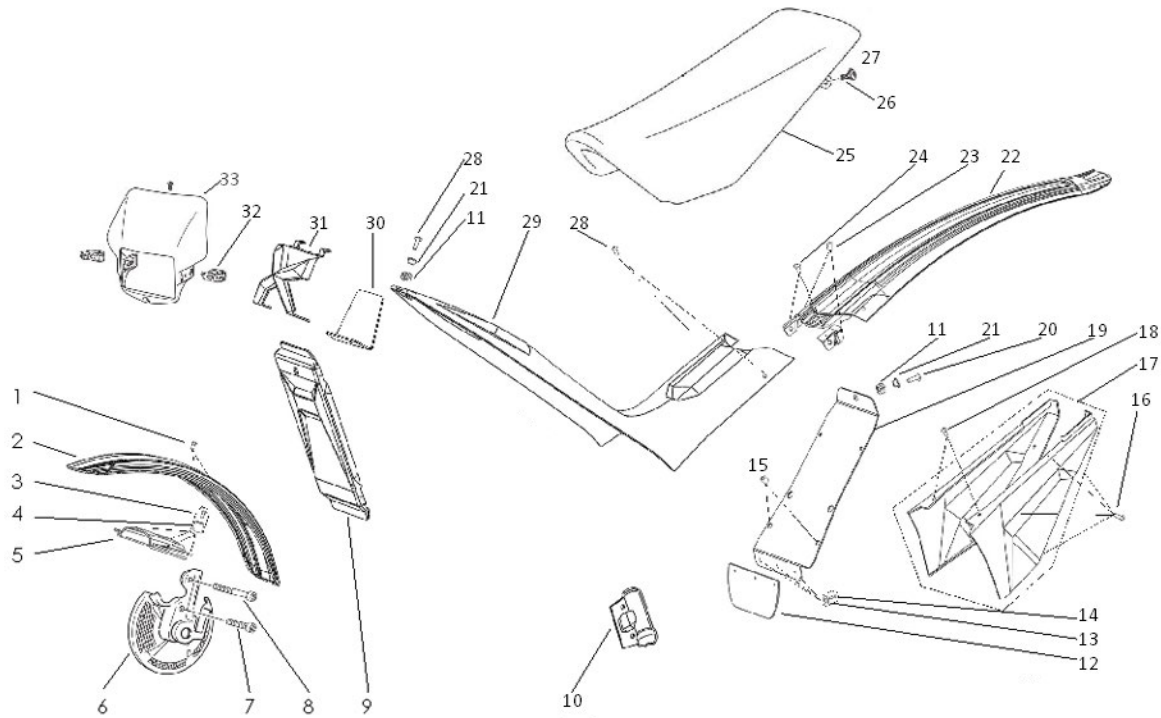
USA – Canada – Japan



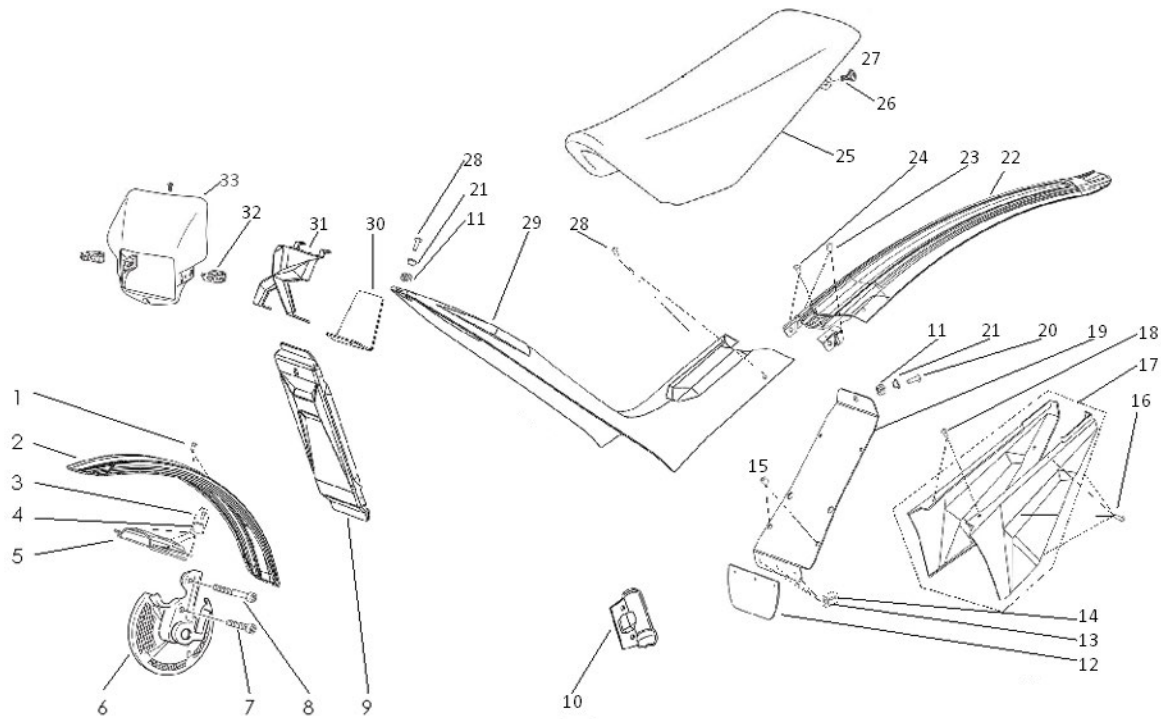
N°	REFERENCE	FRANCAIS	ENGLISH	QUANTITY
25	CAB01-05012-00-00	CABLE CHARGEUR 10&15A - France	CHARGER PLUG 10&15A - France	1
26	CAB01-07012-00-00	CABLE CHARGEUR 10&15A - Royaume-Uni	CHARGER PLUG 10&15A - United Kingdom	1
27	CAB01-10012-00-00	CABLE CHARGEUR 10&15A - Suisse	CHARGER PLUG 10&15A - Switzerland	1
28	CAB01-02012-00-00	CABLE CHARGEUR 10&15A - USA-Canada	CHARGER PLUG 10&15A - USA-Canada	1



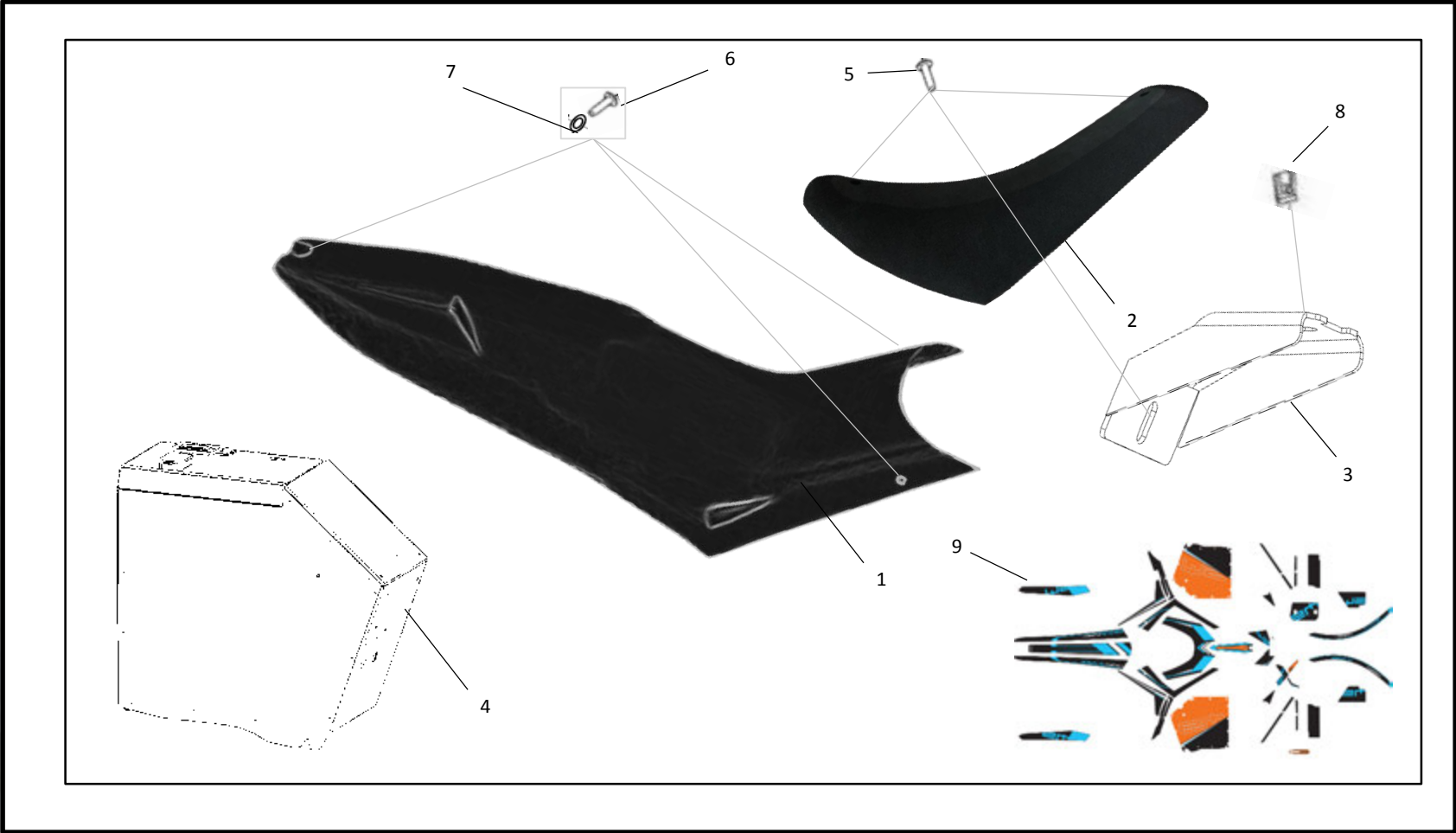
N°	REFERENCE	FRANCAIS	ENGLISH	QUANTITY
1	TL01K-60610-00-00	COMPTEUR / CAPTEUR DE VITESSE	SPEEDOMETER / SPEED SENSOR	1
2	TL01K-60502-00-00	SUPPORT COMPTEUR	SPEEDOMETER SUPPORT	1
3	TL01K-60613-00-00	CAPTEUR DE FREIN AVANT	FRONT BRAKE SENSOR	1
4	TL01K-60614-00-00	CAPTEUR DE FREIN ARRIERE	REAR BRAKE SENSOR	1
5	TL01K-60603-00-00	KLAXON	HORN	1
6	TL01K-50403-00-00	FAISCEAU ECLAIRAGE & SUPPORT AMPOULE VEILLEUSE	ELECTRICAL WIRING	1
7	TL01K-60602-00-00	OPTIQUE HOMOLOGUEE CE	HOMOLOGATED HEADLIGHT	1
8	TL01K-60607-00-00	CLIGNOTEUR AVD/ARG	TURN LIGHT FRONT/RIGHT AND REAR/LEFT	2
9	TL01K-60606-00-00	CLIGNOTEUR AVG/ARD	TURN LIGHT FRONT/LEFT AND REAR/RIGHT	2
10	TL01K-60407-00-00	COMMODO (ALLUMAGE ECLAIRAGE CLIGNOTANTS)	LEFT CERTIFIED COMMUTATOR	1
11	TL01K-60601-00-00	CONVERTISSEUR 48 – 12V	CONVERTER 48 – 12 V	1
12	TL01K-60504-00-00	SUPPORT CONVERTISSEUR	CONVERTER SUPPORT	1
13	TL01K-60608-00-00	BAVETTE FEU ARRIERE	REAR FLAP	1
14	0EC08-05000-00-00	ECROU NYLSTOP M 5	NUT NYLSTOP M 5	2
15	0R001-05015-01-00	RONDELLE M5 LARGE	M5 LARGE WASHER	2
16	0V040-05016-00-00	VIS BHC 5 X 16	SCREW BHC 5 X 16	2
17	0V040-06020-00-00	VIS BHC M6 X 20	SCREW BHC M6 X 20	2



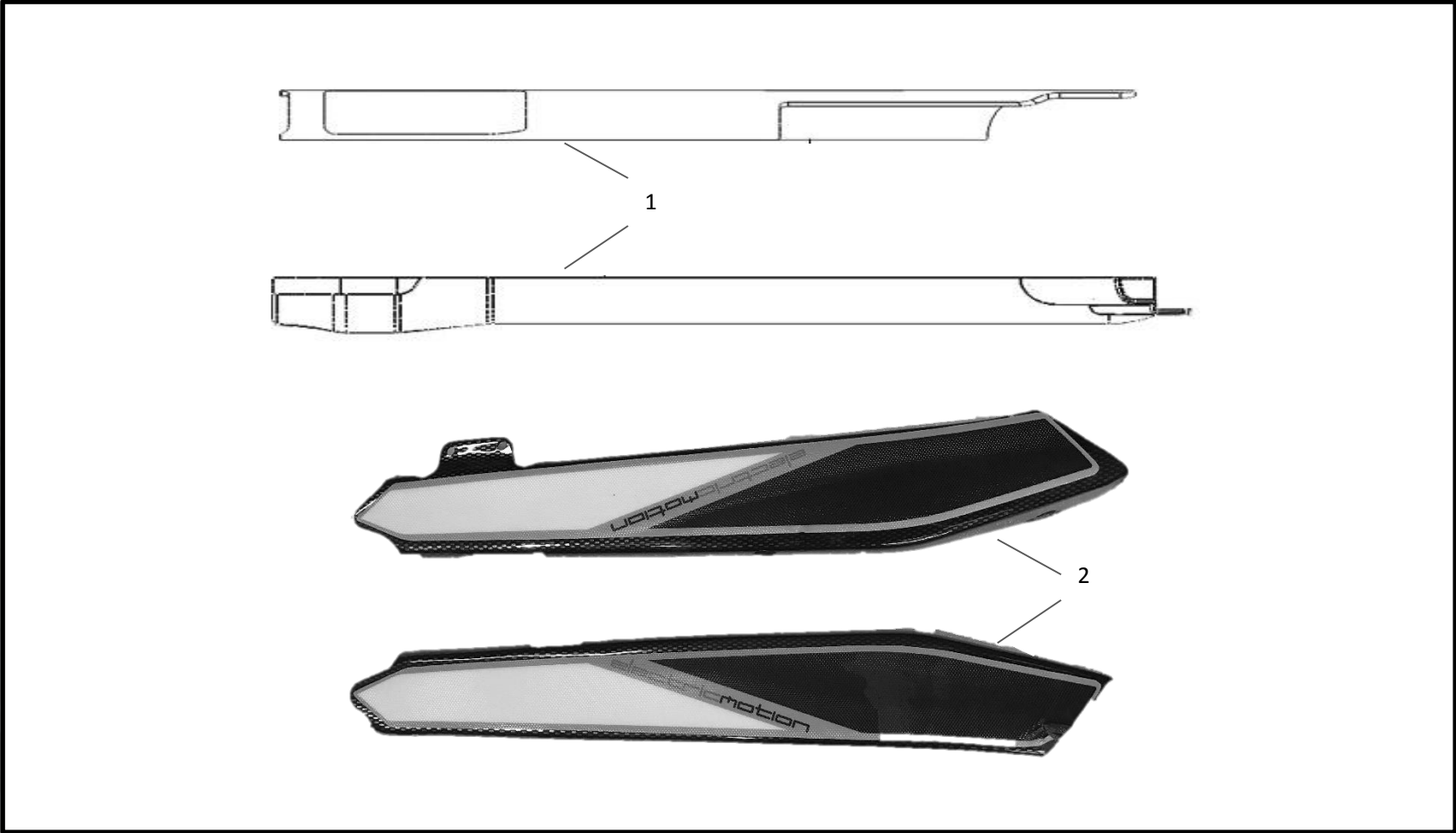
N°	REFERENCE	FRANCAIS	ENGLISH	QUANTITY
1	0V040-05012-00-01	VIS ALU BHC M5 X 12	ALUMINIUM BHC SCREW M5 X 12	2
2	TL01J-70103-00-00	GARDE BOUE AVANT	FRONT BLACK MUDGUARD	1
3	0V040-06016-00-00	VIS BHC M6 X 16	SCREW BHC M6 X 16	4
4	0E06C-15010-00-00	ENTRETOISE BLANCHE 6,3x15x10	SPACER 6,3x15x10	4
5	TL01K-20140-00-00	PONTET GARDE-BOUE AVANT	MUDGUARD HOLDER	1
6	TL01J-70105-00-00	PROTEGE DISQUE AVANT NOIR	FRONT BLACK DISC PROTECTOR	1
7	0V010-08035-00-00	VIS CHC M8 X 35	SCREW CHC 8 X 35	1
8	0V010-08060-00-00	VIS CHC M8 X 60	SCREW CHC 8 X 60	1
9	TL01J-70203-00-00	PROTEGE BATTERIE AVANT	FRONT BATTERY PROTECTOR	1
10	TL01H-70101-00-00	CACHE AVANT PAIRE	LATERAL BATTERIE COVER SET	1
11	OSL01-11018-07-00	SILENT BLOCK	SILENT BLOCK	4
12	TL01J-60311-00-00	PROTEGE POMPE FREIN ARRIERE	REAR PUMP PLASTIC PROTECTOR	1
12	TL01J-60302-00-00	BAVETTE AMORTISSEUR	REAR SHOCK RUBBER PROTECTOR	1
13	0R001-03009-0H-00	RONDELLE M3 LARGE	WASHER M 3	3
14	0RV01-03008-00-N0	RIVET M3 NOIR	BLACK RIVET M 3	3
15	0E06B-10010-00-00	ENTRETOISE PLASTIQUE NOIRE	BLACK PLASTIC SPACER	2
16	0V040-05025-00-01	VIS ALU BHC M5 X 25	ALUMINIUM BHC SCREW 5 X 25	4
17	TL01H-70301-00-00	CACHE ARRIERE PAIRE	REAR COVER SET	1
18	0V040-05016-00-00	VIS BHC M5 X 16	SCREW BHC M5 X 16	2
19	TL01J-60301-00-00	PASSAGE DE ROUE	UNDERTRAY	1
20	0V100-06025-00-00	VIS BHCE M6 X 25	SCREW BHCE 6 X 25	1
21	0E006-09006-14-00	ENTRETOISE EPAULE	SPECIAL SPACER	4
22	TL01J-70302-00-01	GARDE BOUE ARRIERE NOIR	BLACK REAR MUDGUARD	1
23	0ECWE-05015-00-00	ECROU WELNUT M 5	RUBBER WELNUT M 5	2
24	0V100-06016-00-00	VIS BHCE M6 X 16	SCREW BHCE 6 X 16	2



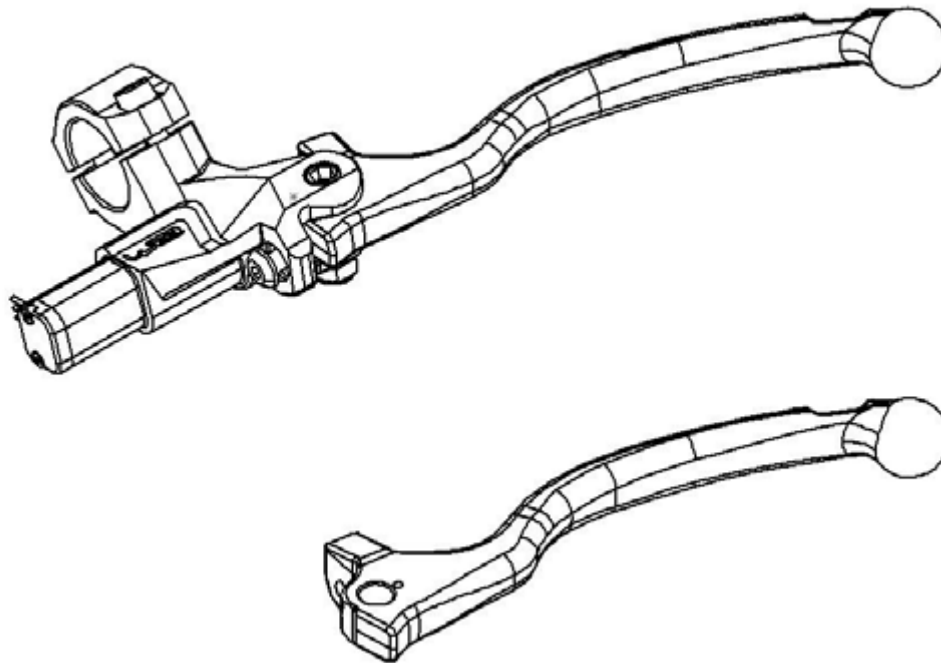
N°	REFERENCE	Français	ENGLISH	QUANTITY
25	TL01K-60620-00-01	SELLE EM	EM SEAT	1
26	0V100-05020-00-00	VIS BHC M5 X 20	SCREW BHC M5 X 20	2
27	0R001-05015-01-00	RONDELLE M5 LARGE	M5 LARGE WASHER	2
28	0V100-05025-00-00	VIS ALU BHC M5 X 25	ALUMINIUM BHC SCREW M5 X 25	3
29	TL01J-70201-00-00	CAPOT	COVER	1
30	TL01M-60511-00-00	PLAQUE CACHE FAISCEAU	WIRING MASK PLATE	1
31	TL01K-70104-01-00	PLAQUE AVANT EM	RACING FRONT HEAD EM	1
32	TL01K-70106-00-00	CAOUTCHOUC PLAQUE PHARE	RUBBER FRONT LIGHT	2
33	TL01K-70102-00-00	PLAQUE PHARE HOMOLOGUEE	HOMOLOGATED PLATE HEADLIGHT	1



N°	REFERENCE	FRANCAIS	ENGLISH	QUANTITY
1	TL01E-70201-00-00	CAPOT ESCAPE	ESCAPE COVER	1
2	TL01E-60620-00-01	SELLE ESCAPE	ESCAPE SEAT	1
3	TL01E-60620-00-00	RENFORT SELLE ESCAPE	ESCAPE SEAT	
4	TL01E-50205-00-00	BATTERIE 13S 40Ah	13S 40Ah BATTERY	1
5	0V040-06016-02-00	VIS BHCE 6X16 ZI	SCREW BHCE 6X16	3
6	0V040-05025-00-01	VIS ALU BHC M5 X 25	ALUMINIUM BHC SCREW M5 X 25	3
7	0R008-05010-01-00	RONDELLE PLASTIQUE	PLASTIC WASHER	3
8	0CE06-16024-09-ZI	ECROU CLIP M 6	FAST NUT M 6	1
9	TL01N-80601-00-00	AUTOCOLLANTS ESCAPE	ESCAPE STICKER	1



N°	REFERENCE	FRANCAIS	ENGLISH	QUANTITY
1	TL01K-60320-00-00	PROTECTIONS FOURCHE TECH	CARBON FIBRE LOOK TECH FORK GUARDS	2
2	TL01K-60330-00-00	PROTECTIONS BRAS OSCILLANT	CARBON FIBRE LOOK SWING ARM GUARDS	2

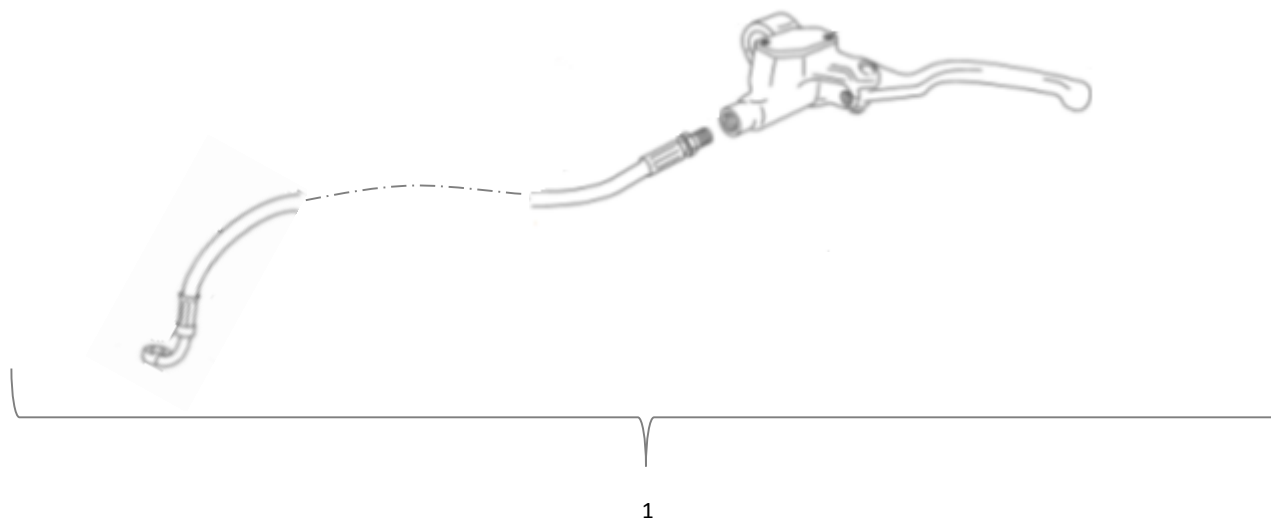


N°	REFERENCE	FRANCAIS	ENGLISH	QUANTITY
1	TC01L-60403-01-00-ASM	PELS/PRB COMPLET	PELS/PRB ASSEMBLY	1
2	TL01M-60403-00-00	LEVIER PELS/PRB ANODISE	PELS/PRB LEVER ANODIZED	1



1

N°	REFERENCE	FRANCAIS	ENGLISH	QUANTITY
1	TL01M-70201-00-00	KIT LED SPORT NON HOMOLOGUE	LED LIGHT SPORT NON HOMOLOGATED	1



N°	REFERENCE	FRANCAIS	ENGLISH	QUANTITY
1	TL01M-30200-00-02	KIT FREIN ARRIERE GUIDON	HANDLEBAR REAR BRAKE KIT	1

N°	REFERENCE	FRANCAIS	ENGLISH	QUANTITY
1	TL01N-80101-00-00	KIT STICKERS	STICKERS SET	1



EM

electricmotion

ELECTRIC MOTION
40 Rue des Gardians
ZAC via Domitia
34160 CASTRIES (FRANCE)

MOTUL



www.electric-motion.fr
+(33) 04 67 41 10 90
+(33) 06 51 05 51 69
info@electric-motion.fr