



em
electricmotion

part

em

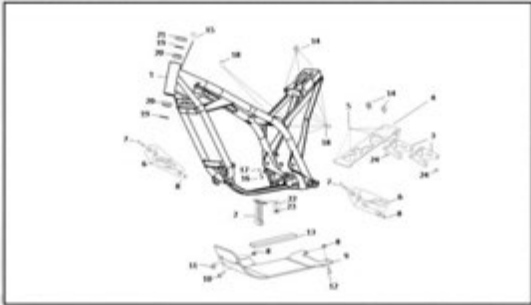
2016
PART LIST

ELECTRIC MOTION
40 rue des Gardians
34160 CASTRIES
+33 467 411 090
+33 651 055 169
www.electric-motion.fr
emotion.sav@gmail.com

Les informations de ce document ne sont pas contractuelles et peuvent être modifiées sans préavis.

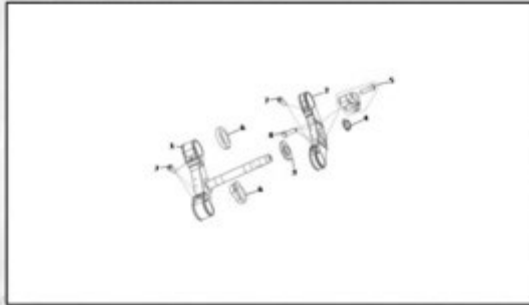
The datas of this document are not contractual and can be modified without notice.

em CADRE / FRAME 1



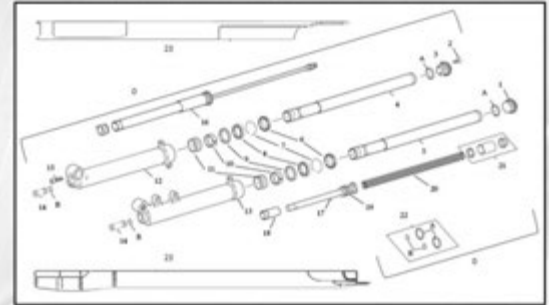
5 1

em DIRECTION / STEERING 2



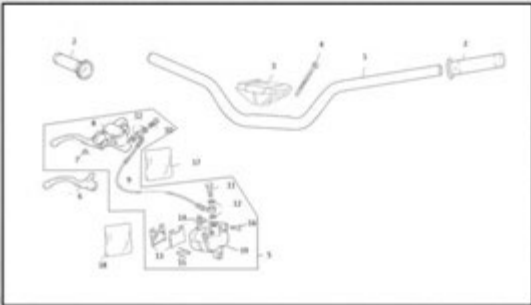
3

em FOURCHE / FORK 3



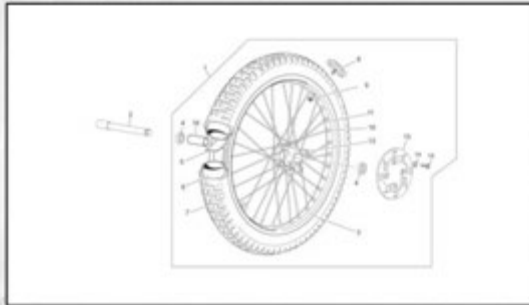
5

em GUIDON / HANDELBAR 4



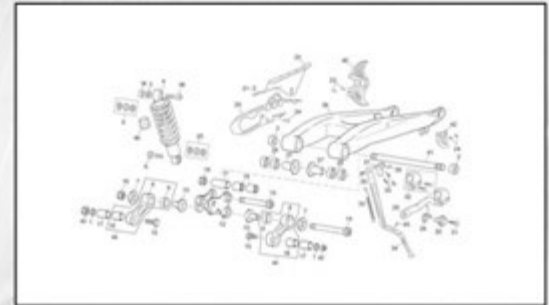
7

em ROUE AVANT / FRONT WHEEL 5



9

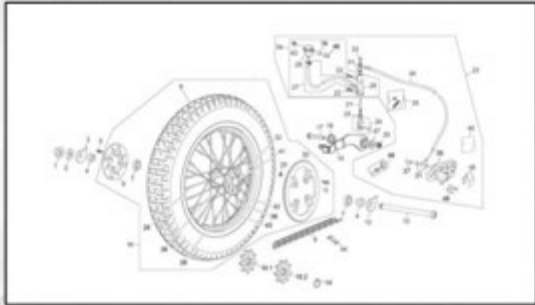
em SUSPENSION ARRIERE / REAR SUSPENSION 6



11

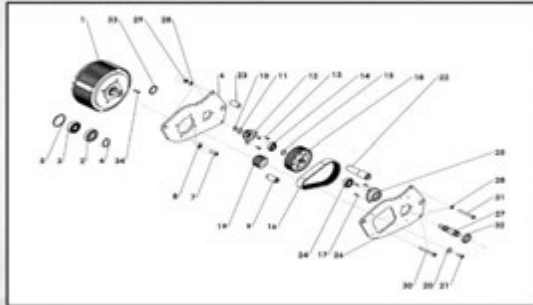
SOMMAIRE / CONTENTS

em ROUE ARRIERE / REAR WHEEL 7



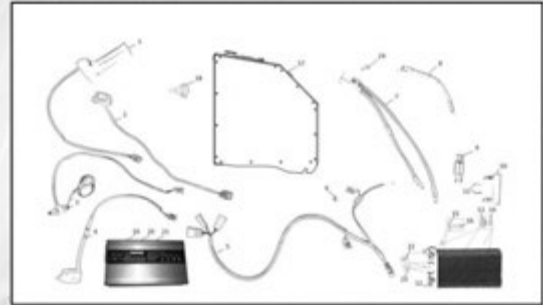
15

em MOTEUR / MOTOR – TRANSMISSION 8



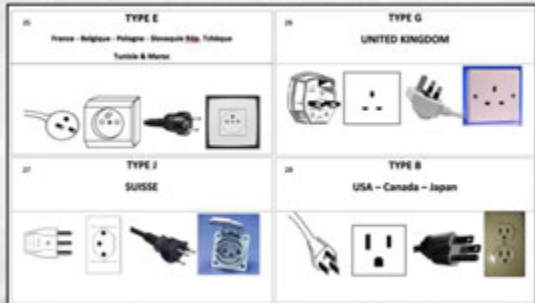
19

em FAISCEAU / ELECTRIC INSTALLATION 9



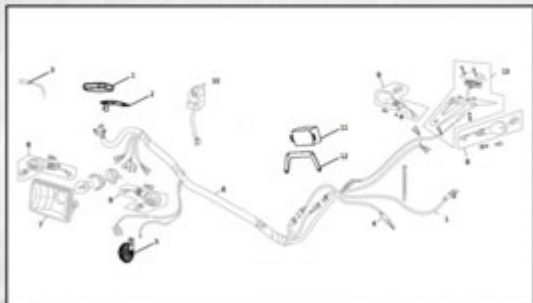
23

em FAISCEAU / ELECTRIC INSTALLATION 9b



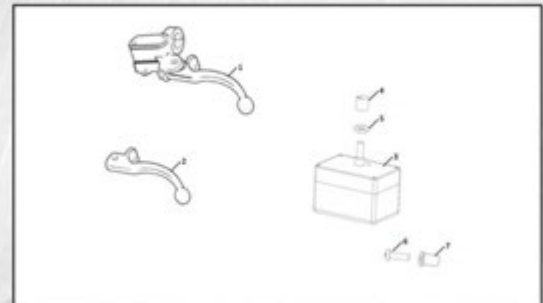
25

em FAISCEAU ECLAIRAGE / ELECTRIC INSTALLATION LIGHT 10



27

em BOITIER ELS / ELS BOX 11

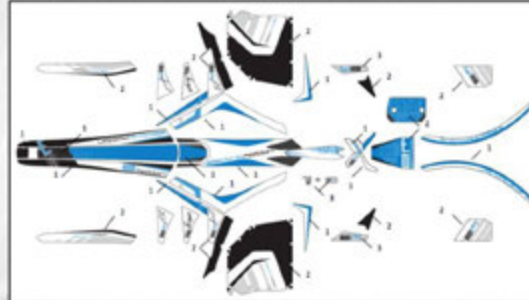


29

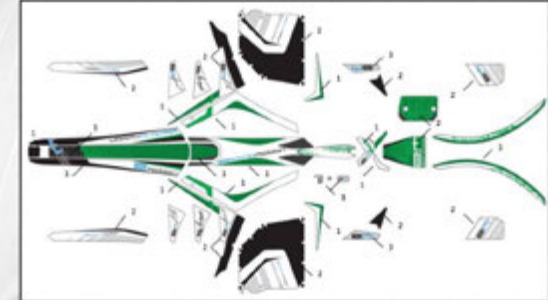
em PLASTIQUES / PLASTICS 12



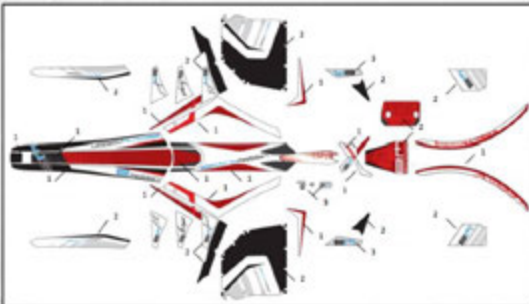
em STICKERS EM 13



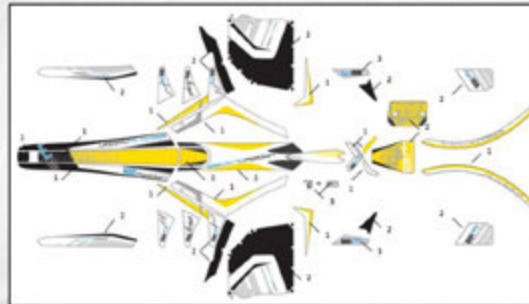
em STICKERS EM 13



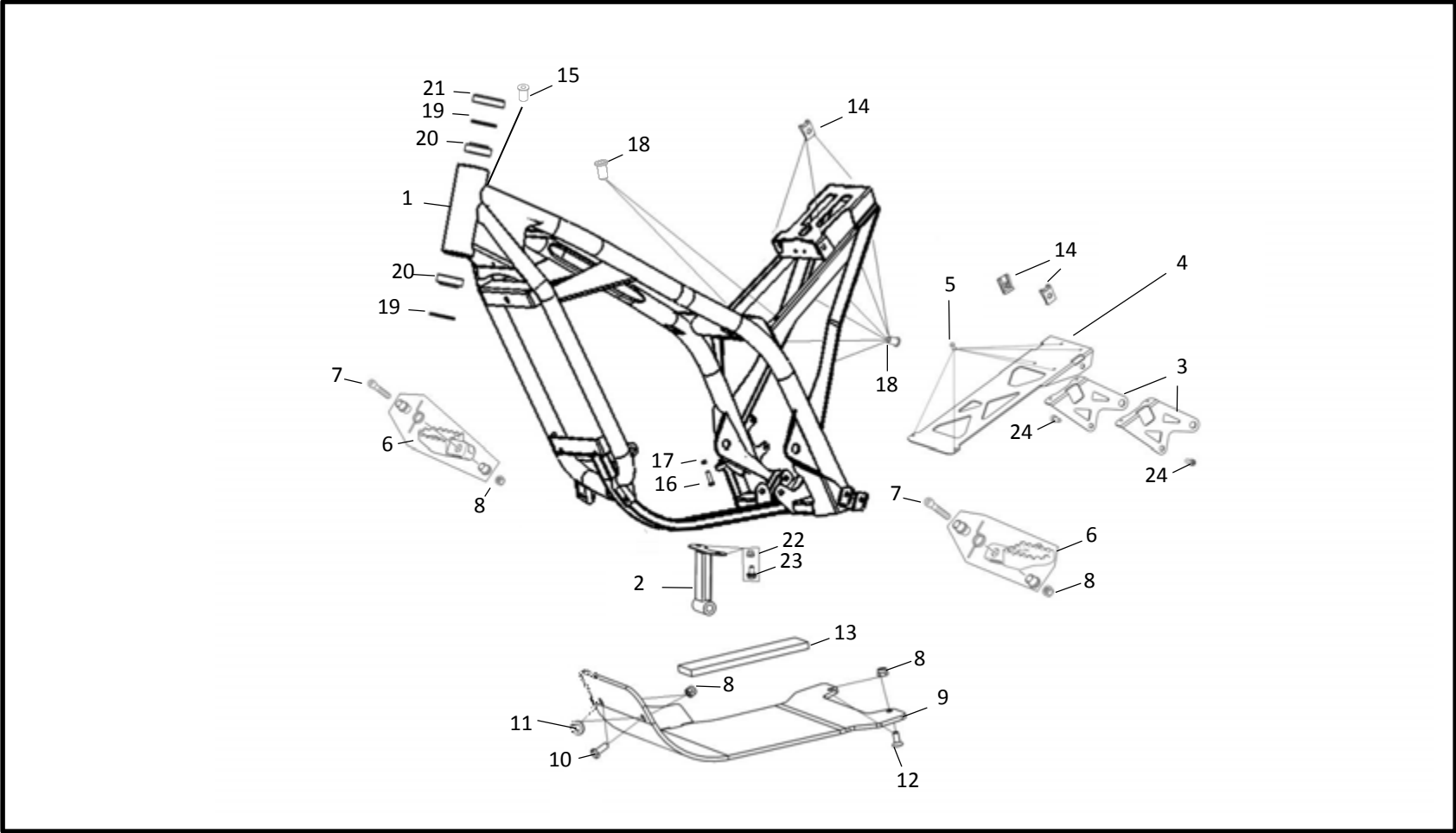
em STICKERS EM 13



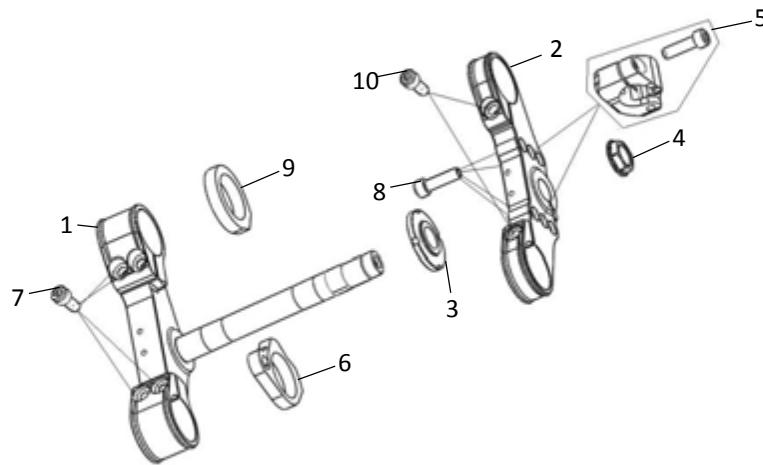
em STICKERS EM 13



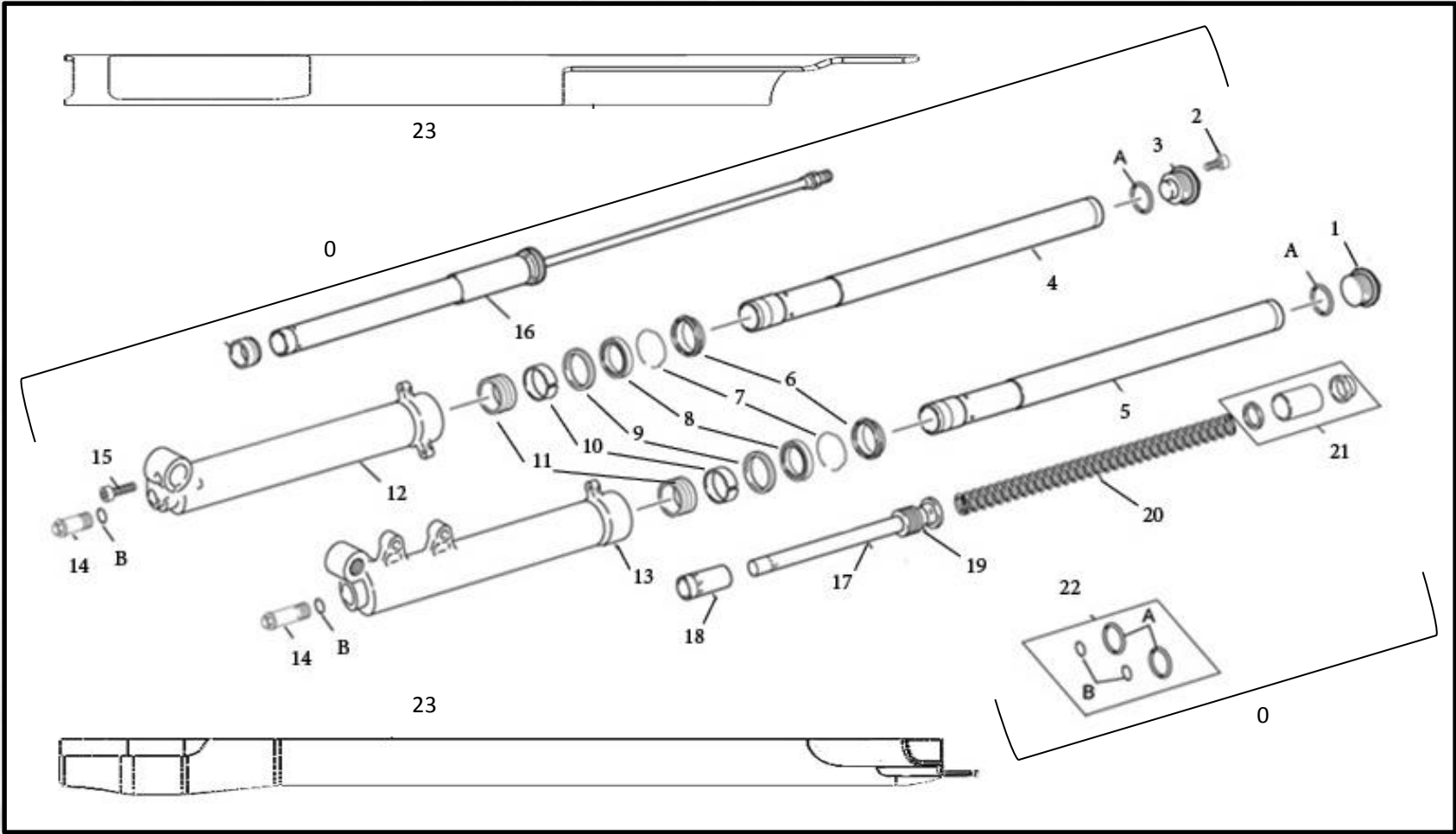
CADRE / FRAME



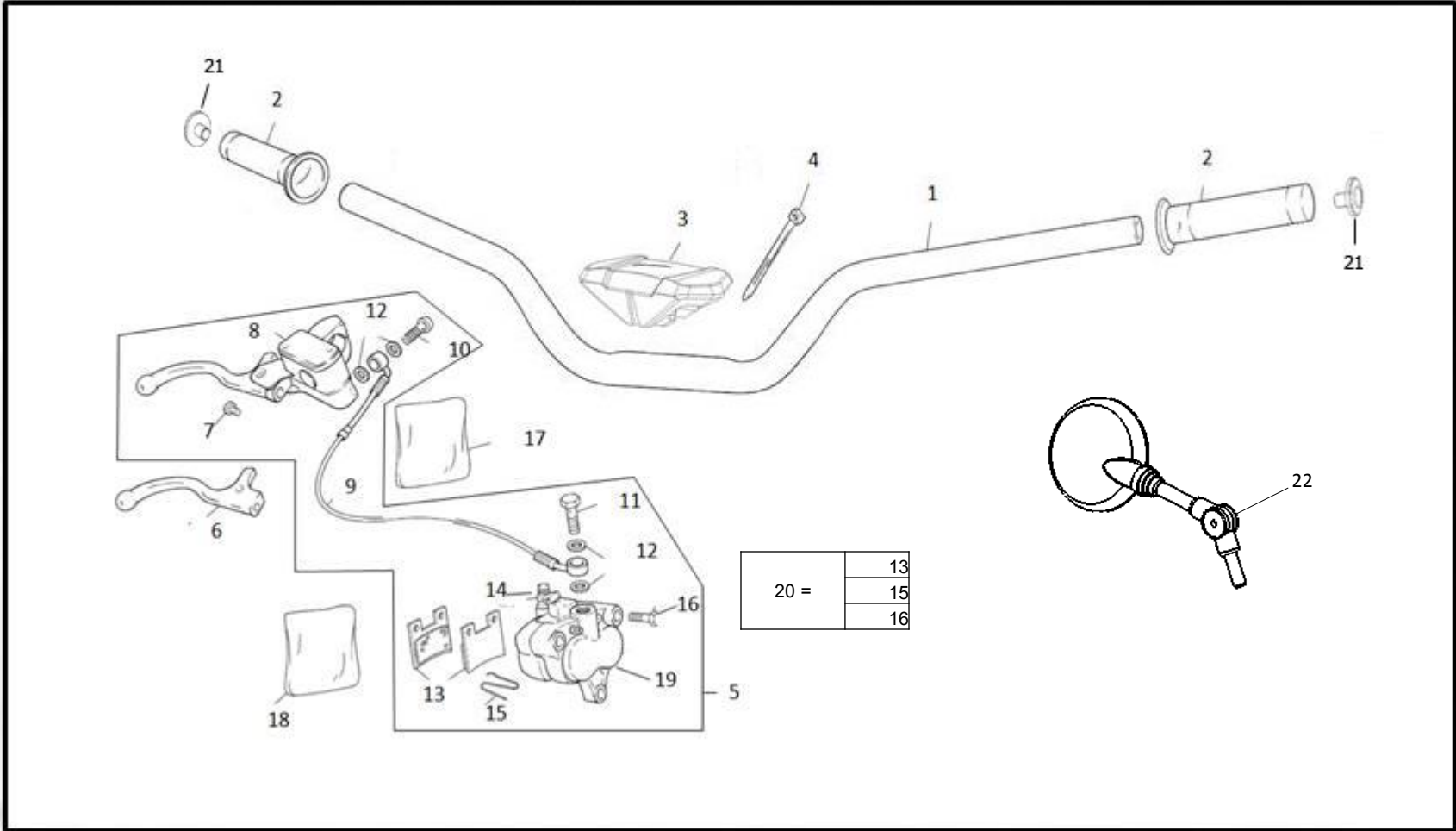
N°	REFERENCE	FRANCAIS	ENGLISH	QUANTITY
1	TL01K-10101-00-00	CADRE	FRAME	1
2	TL01K-10201-00-00	SUPPORT TRANSMISSION	BRACE TRANSMISSION	1
3	TL01L-10205-10-00	SUPPORT PACK BATTERIE	SUPPORT BATTERY PACK	2
4	TL01J-10203-10-00	PLATINE PACK BATTERIE	BATTERY PACK PLATE	1
5	ORV01-04008-10-00	RIVET 4 X 10	RIVET 4 X 10	6
6	TL01J-10105-00-00	PAIRE DE REPOSE PIED COMPLET	SET FOOTREST	1
7	0V010-08045-00-00	VIS CHC 8 X 45	SCREW CHC 8 X 45	2
8	0EC08-08000-00-00	ECROU NYLSTOP M8	NUT NYLSTOP M 8	6
9	TL01K-10104-00-00	SABOT MOTEUR	ENGINE PROTECTOR PLATE	1
10	0V050-08020-00-00	VIS TH 8 X 20	SCREW TH 8 X 20	2
11	0R001-8D018-02-00	RONDELLE M 8	WASHER M 8	2
12	0V020-08020-00-00	VIS FHC 8 X 20	SCREW 8X 20	2
13	TL01J-60303-00-00	TAMPON SABOT	FRAME RUBBER	1
14	0CE06-16024-09-ZI	ECROU CLIP M 6	FAST NUT M 6	5
15	0ECWE-05015-00-00	ECROU WELNUT M 5	RUBBER WELNUT M 5	1
16	0V050-05020-00-00	VIS TH 5 X 20	SCREW TH 5 X 20	1
17	0EC03-05000-00-00	DEMI-ECROU M 5	MIDLE NUT M 5	1
18	0EC10-05013-00-00	RIVET TUBULAIRE M 5	TUBULAR RIVET M 5	8
19	TL01J-20504-00-00	RONDELLE DIRECTION	STEERING WASHER	2
20	TL01J-20508-00-00	ROULEMENT DIRECTION	STEERING BEARING	2
21	TL01J-20506-00-00	CACHE POUSSIERE	DUST COVER	1
22	0EC08-06000-00-00	ECROU NYLSTOP M6	NUT NYLSTOP M 6	2
23	0V150-06012-00-00	VIS THE 6 X 12	THE 6 x 12 SCREW	2
24	0V010-05012-00-00	VIS CHC 5 X 12	CHC 5 X 12 SCREW	2



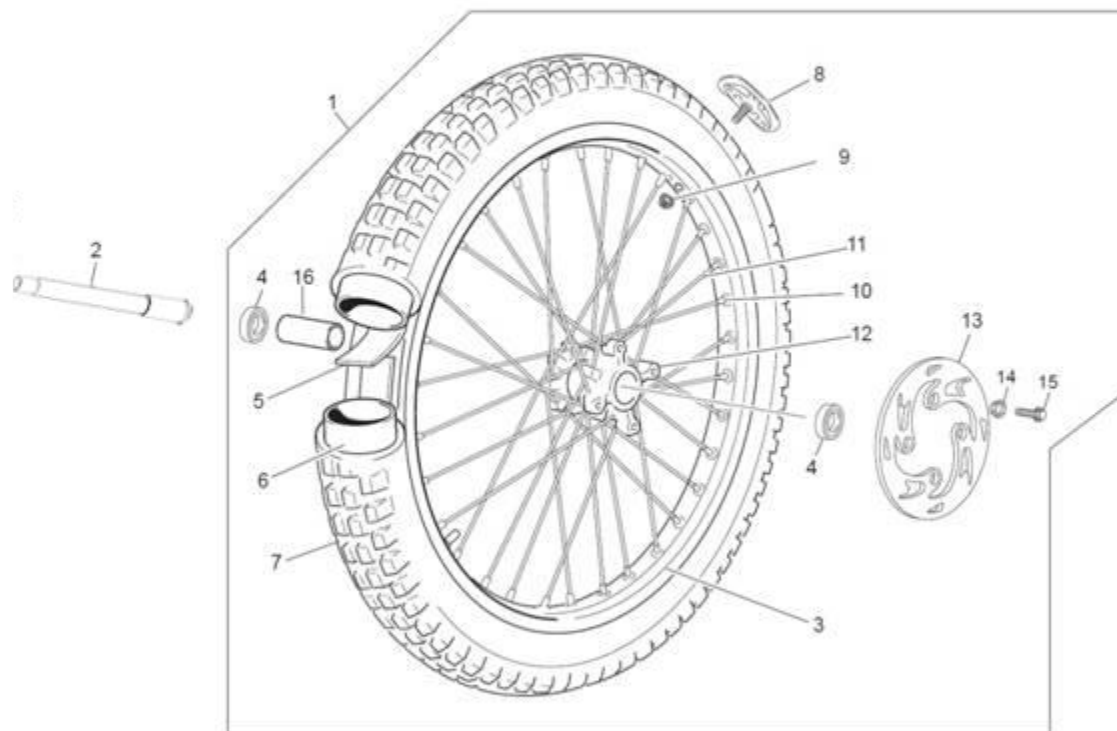
N°	REFERENCE	FRANCAIS	ENGLISH	QUANTITY
1	TL01K-20501-39-00	TE INFERIEUR + PIVOT	LOWER FORK CLAMP ASSY	1
2	TL01K-20502-39-00	TE SUPERIEUR	UPPER FORK CLAMP	1
3	TL01K-20505-00-00	ECROU PRESSION	STEERING TOP BEARING NUT	1
4	TL01K-20507-00-00	ECROU PIVOT	STEERING AXLE TOP NUT	1
5	TL01K-20510-00-00	PAIRE DE PONTETS DE GUIDON	HANDLEBAR CLAMP SET	1
6	TL01K-60304-00-39	BUTEE DE DIRECTION GAUCHE	LEFT STEERING STOP	1
7	0V010-08020-00-00	VIS CHC 8 X 20	SCREW CHC 8 X 20	4
8	0V010-08030-00-00	VIS CHC 8 X 30	SCREW CHC 8 X 30	4
9	TL01K-60306-00-00	BUTEE DE DIRECTION DROITE	RIGHT STEERING STOP	1
10	0V010-08025-00-00	VIS CHC 8 X 25	SCREW CHC 8 X 25	4



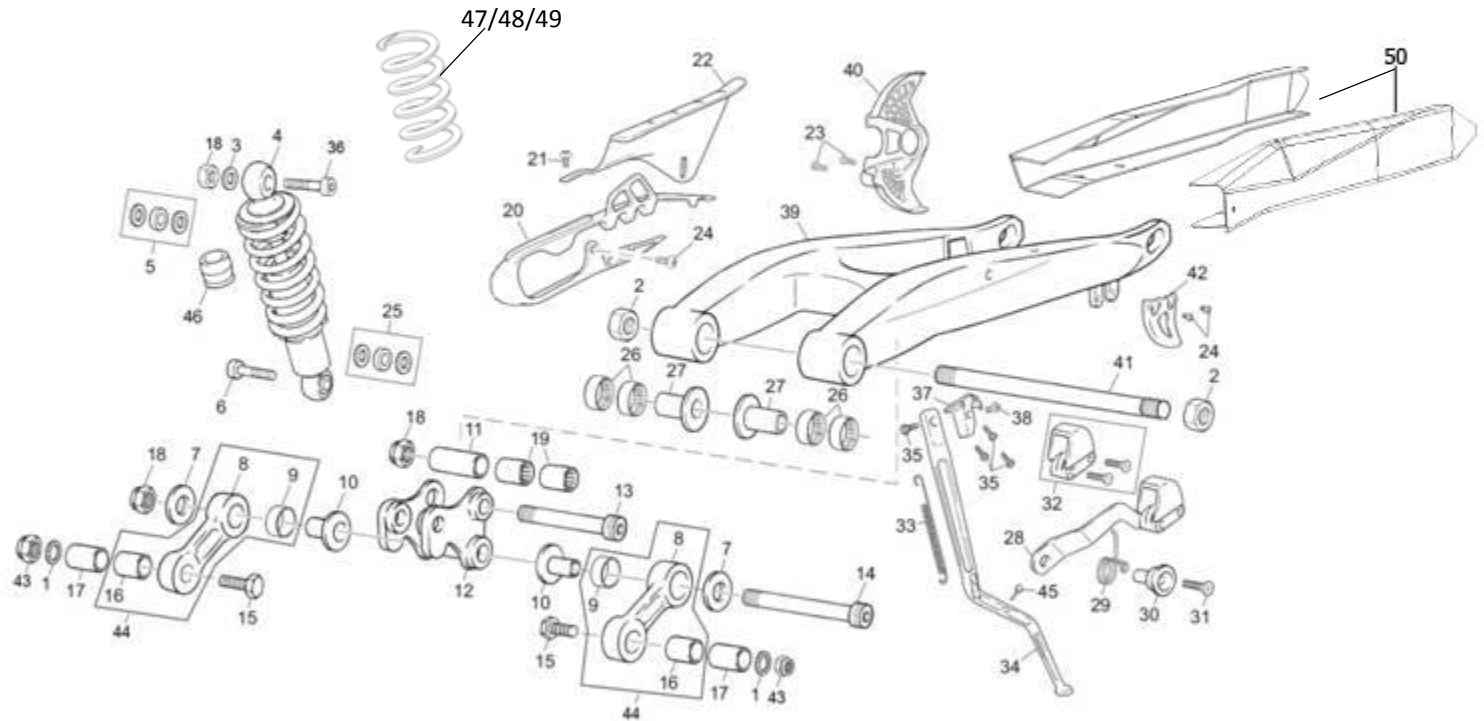
N°	REFERENCE	FRANCAIS	ENGLISH	QUANTITY
0	TL01K-20101-00-00	FOURCHE COMPLETE	COMPLETE FORK	1
1	TL01K-20113-00-00	BOUCHON TUBE GAUCHE	CAP, LEFT INNER TUBE	1
2	TL01K-20123-00-00	VIS BLOCAGE POMPANTE HYDRAULIQUE	SCREW STOPPER HYDRAULIC POMP	1
3	TL01K-20114-00-00	BOUCHON TUBE DROIT	CAP, RIGHT INNER TUBE	1
4	TL01K-20107-00-00	TUBE FOURCHE DROIT	RIGHT TUBE, FORK	1
5	TL01K-20106-00-00	TUBE FOURCHE GAUCHE	LEFT TUBE, FORK	1
6	TL01K-20115-00-00	CACHE POUSSIERE	DUST SEAL	2
7	TL01K-20116-00-00	JONC MAINTIEN JOINT SPI	SNAP RING	2
8	TL01K-20117-00-00	JOINT SPI	OIL SEAL	2
9	TL01K-20120-00-00	BAGUE DE GUIDAGE	GUIDE RING	2
10	TL01K-20110-00-00	BAGUE DE FRICTION	FRICTION BUSH TUBE TS	2
11	TL01K-20112-00-00	BAGUE DE FRICTION DU 38x40x20 TS	FRICTION BUSH DU 38x40x20 TS	2
12	TL01K-20105-00-00	FOURREAU FOURCHE DROIT	OUTER TUBE, RIGHT FORK LEG	1
13	TL01K-20104-00-00	FOURREAU FOURCHE GAUCHE	OUTER TUBE, LEFT FORK LEG	1
14	TL01K-20129-00-00	GROUPE DE REGULATION AIGUILLE	NEEDLE REGULATION GROUP	2
15	TL01K-20125-00-00	VIS THC M8x18 DIN 7984	SCREW M8x18 DIN 7984	1
16	TL01K-20131-00-00	GROUPE CARTOUCHE	GROUP CARTBRIDGE	1
17	TL01K-20132-00-00	GROUPE POMPANTE	GROUP MECHANICAL POMPING	1
18	TL01K-20118-00-00	CONE BUTEE	CONE LIMIT	1
19	TL01K-20130-00-00	SUPPORT ANNEAU BUTEE RESSORT	SUPPORT RING FOR SPEED LIMIT	1
20	TL01K-20109-00-00	RESSORT DE FOURCHE TECH	TECH SPRING	1
21	TL01K-20111-00-00	GROUPE ENTRETOISES TECH	SEPARATED TECH GROUP	1
22	TL01K-20122-00-00	JEU JOINTS TORIQUES	GROUP RING SEALS	1
23	TL01K-60320-00-00	PROTECTIONS FOURCHE TECH	CARBON FIBRE LOOK TECH FORK GUARDS	2



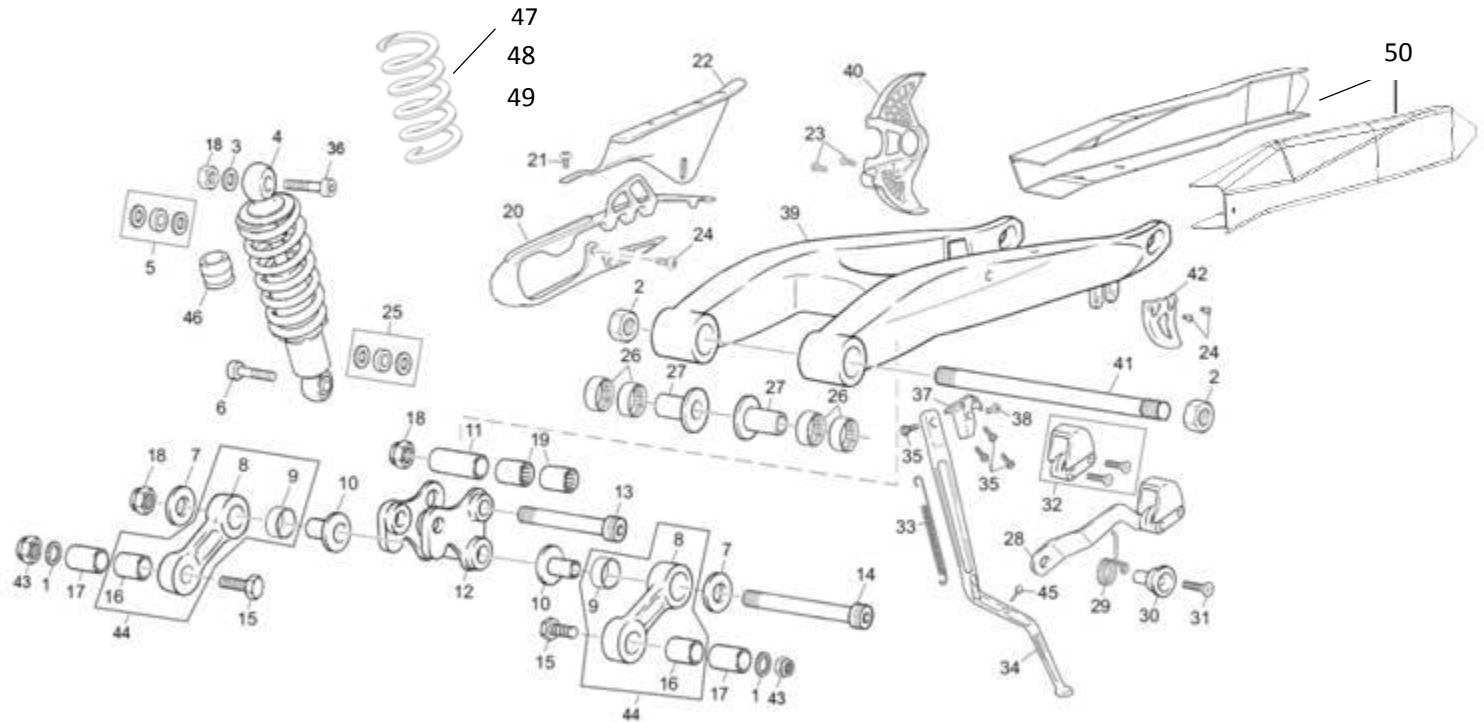
N°	REFERENCE	FRANCAIS	ENGLISH	QUANTITY
1	TL01K-20511-00-00	GUIDON TRIAL	HANDELBAR TRIAL	1
2	TL01J-60405-00-00	POIGNEE CAOUTCHOUC PAIRE	GRIPS SET	1
3	TL01J-60305-00-00	PROTECTION GUIDON	HANDELBAR PROTECTION	1
4	0C001-05178-00-N0	COLLIER RYSLAN 178 X 4,8	ZIP TIE 178 X 4,8	1
5	TL01J-20200-00-00	LIGNE FREIN AVANT COMPLETE	FRONT BRAKE ASSY	1
6	TL01J-20211-00-00	LEVIER FREIN AVANT	FRONT BRAKE LEVER	1
7	TL01J-20213-00-00	BUTEE LEVIER	LEVER STOP	1
8	TL01J-20210-00-00	MAITRE CYLINDRE AVANT	FRONT BRAKE MASTER CYLINDER ASSY	1
9	TL01J-20212-00-00	DURITE FREIN AVANT	FRONT BRAKE HOSE	1
10	0V160-10021-00-0	VIS RACCORD BHC M10 X 21	SCREW BHC PRESSURE HOSE	1
11	0V140-10021-00-00	VIS RACCORD TH M10 X 21	SCREW TH PRESSURE HOSE	1
12	0JA00-10014-02-00	RONDELLE 10 X 14 X 1,5	WASHER 10 X 14 X 1,5	4
13	TL01J-20202-00-00	PLAQUETTES FREIN AVANT PAIRE	PAIR FRONT BRAKE PAD	1
14	TL01J-20216-00-00	VIS PURGE AVEC BOUCHON	BLEEDER CAP ASSY	1
15	TL01J-20203-00-00	CLIP EPINGLE PLAQUETTE	PAD PIN CLIP	1
16	TL01J-20204-00-00	AXE BLOCAGE PLAQUETTE AVANT	FRONT STOP PAD AXLE	1
17	TL01J-20220-00-00	KIT REPARATION MAITRE CYLINDRE AV	FRONT BRAKE PUMP KIT REPAIR	1
18	TL01J-20221-00-00	KIT REPARATION ETRIER AVANT	FRONT CALIPER REPAIR KIT	1
19	TL01J-20217-00-00	ETRIER AVANT	FRONT CALIPER	1
20	TL01J-20205-00-00	KIT PLAQUETTE AVANT COMPLET	FRONT PAD KIT	1
21	TL01K-60310-00-00	EMBOUT GUIDON	BAR ENDS HANDLEBAR	2
22	TL01K-60604-00-00	RETROVISEUR	MIRROR	1



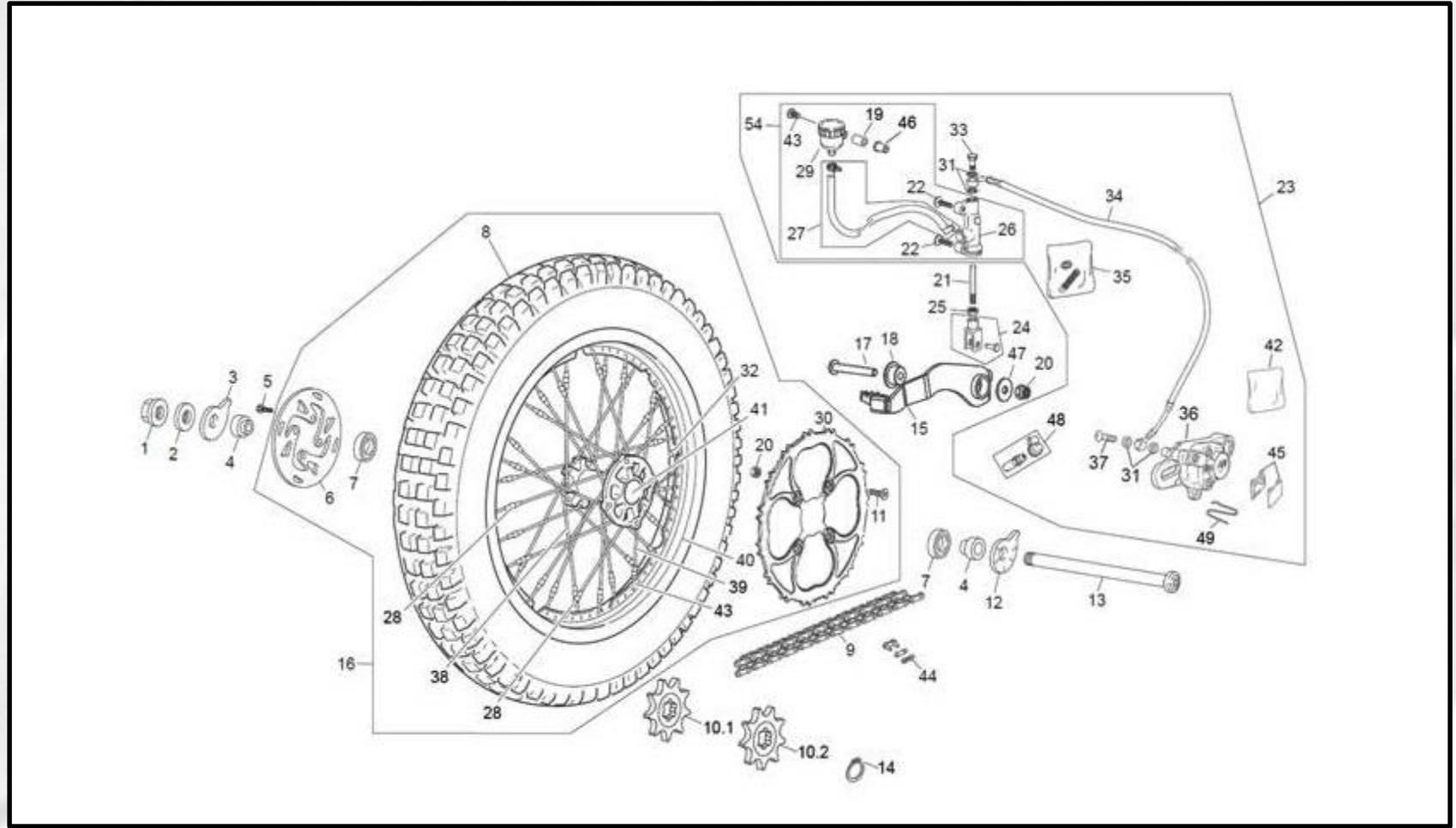
N°	REFERENCE	Français	ENGLISH	QUANTITY
1	TL01J-20301-00-00	ROUE AVANT TRIAL	FRONT WHEEL ASSY	1
2	TL01K-20404-00-00	AXE ROUE AVANT	FRONT WHEEL AXLE	1
3	TL01J-20311-00-12	JANTE AVANT TRIAL 32 RAYONS	FRONT TRIAL 32 SPOKES RIM	1
4	ORBR1-06004-01-00	ROULEMENT DE MOYEU	HUB BEARING	2
5	TL01J-20322-00-00	RUBAN FOND DE JANTE	PROTECTEUR RIM RUBBER	1
6	TL01J-20323-00-00	CHAMBRE A AIR 21"	21" TUBE	1
7	TL01J-20312-00-00	PNEU AVANT 2,75X21	2,75 X 21" FRONT TYRE	1
8	TL01J-20321-00-00	GRIPSTER	GRIPSTER	1
9	0EC08-08000-00-00	ECROU NYLTOP M8	NUT NYLSTOP M 8	1
10	TL01J-20313-00-00	ECROU DE RAYON AVANT	FRONT SPOKE NIPPLE	32
11	TL01J-20314-00-00	RAYON NOIR DE ROUE AVANT	BLACK FRONT SPOCKE	32
12	TL01J-20310-00-00	MOYEU AVANT COMPLET	FRONT HUB ASSY	1
13	TL01J-20222-00-00	DISQUE FREIN AVANT TRIAL	FRONT BRAKE DISC TRIAL	1
14	TL01J-20223-00-00	ENTRETOISE DISQUE AVANT	FRONT DISC SPACER	4
15	0V150-06020-00-00	VIS HEXAGONALE EPAULE M6 X 20	SPECIAL EXAGONAL SCREW M 6 X 20	4
16	TL01J-20316-00-00	ENTRETOISE INTERNE MOYEU	FRONT HUB SPACER	1



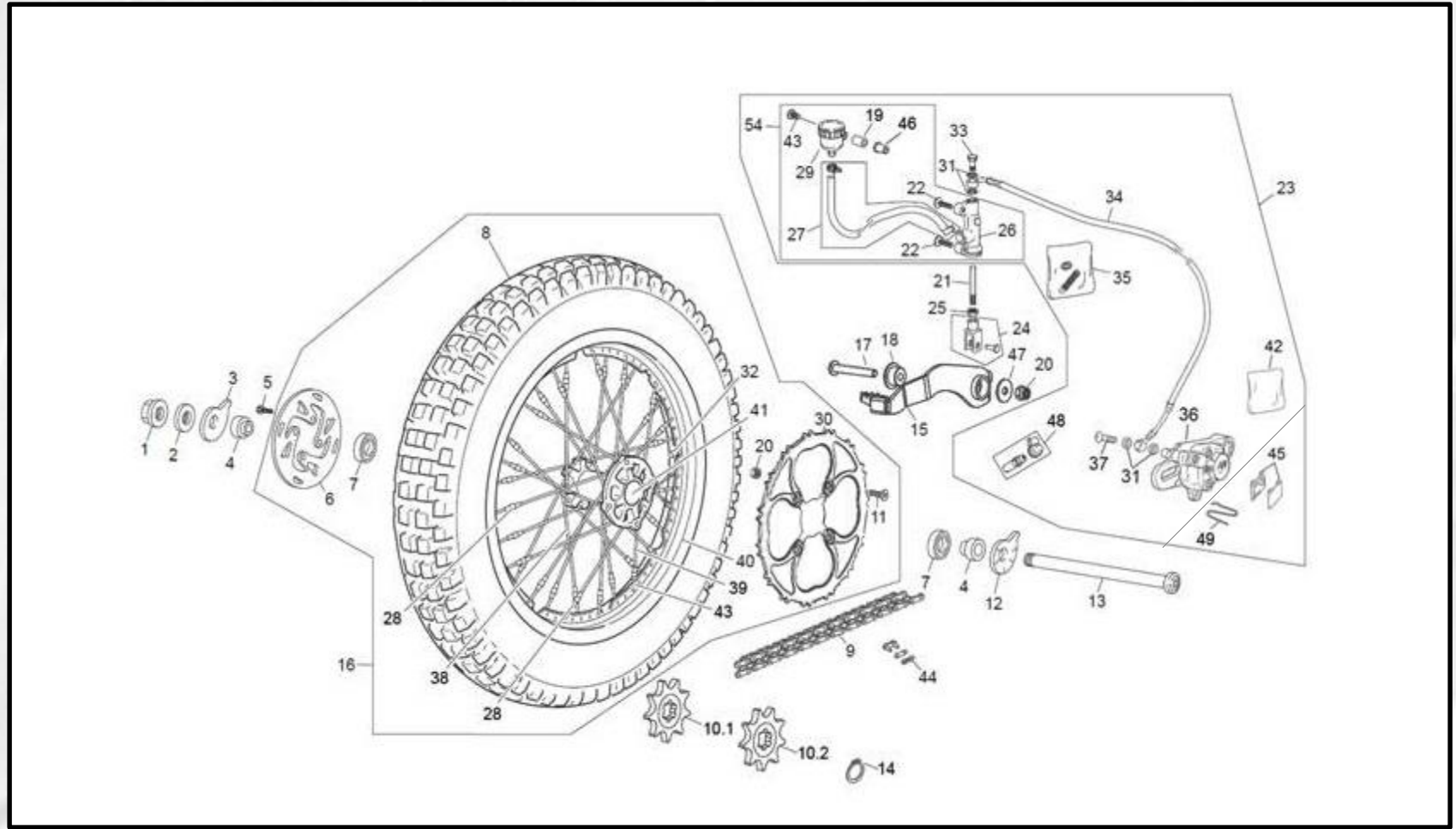
N°	REFERENCE	FRANCAIS	ENGLISH	QUANTITY
1	0R002-8C013-02-00	RONDELLE AET 8	WASHER AET 8	2
2	TL01J-30103-00-00	ECROU AXE BRAS OSCILLANT 14	SWINGARM NUT 14	2
3	0R001-10020-02-00	RONDELLE M 10	WASHER M 10	2
4	TL01K-30401-00-00	AMORTISSEUR ALUMINIUM	ALUMINIUM REAR SHOCK	1
5	TL01J-30411-00-00	KIT ROTULE AMORTISSEUR SUPERIEUR	SUPERIOR BALL AND SOCKET SEAL	1
6	0V010-10042-04-00	VIS M10 X 42	AXLE 10 X 42	1
7	0R001-10030-02-00	RONDELLE M 10 X 30	WASHER 10 X 30	2
8	TL01J-30111-00-00	BIELLETTE DE SUSPENSION	REAR SUSPENSION LINK	2
9	0DF01-16018-15-00	DOUILLE FRICTION 16X18X15	GLACIER BUSHING 16X18X15	2
10	TL01J-30109-00-00	ENTRETOISE BIELLETTE-BASCULEUR	SPACER SWING ARM	2
11	TL01J-30107-00-00	ENTRETOISE SUSPENSION	SUSPENSION SPACER	2
12	TL01K-30108-00-00	BASCULEUR SUSPENSION	REAR SUSPENSION DELTA LINK	1
13	0V010-10072-04-00	VIS CHC M10 X 72	CHC SCREW 10 x 72	1
14	0V010-10120-04-00	VIS CHC M10 X 120	CHC SCREW 10 X 120	1
15	0V100-08035-00-00	VIS HEXA TETE BASSE M8 X 35	HEGAGONAL SCREW 8 X 35	2
16	0DF01-14016-15-00	DOUILLE FRICTION 14X16X15	GLACIER BUSHING 14X16X15	2
17	TL01J-30113-00-00	ENTRETOISE TIRANT-CADRE	FRAME LINK SPACER	2
18	0EC08-10000-00-00	ECROU NYLSTOP M10	NUT NYLSTOP M 10	3
19	TL01J-30106-00-00	DOU. AIGUI. BRAS/SUSP HK16X20X2RS	NEEDLE BEARING 16 X 20 X 2RS	2
20	TL01J-30140-00-00	PATIN DE CHAINE	CHAIN GUIDE	1
21	0V040-05016-00-00	VIS BHC M5 X 16	SCREW BHC 5 X 16	1
22	TL01J-30141-00-00	CARTER DE CHAINE	CHAIN PROTECTOR	1
23	0V040-06010-00-00	VIS BHC M6 X 10	SCREW BHC 6 X 10	2
24	0V040-05010-00-00	VIS BHC M5 X 10	SCREW BHC 5 X 10	4
25	TL01J-30412-00-00	KIT ROTULE AMORTISSEUR INFERIEUR	INFERIOR BALL AND SOCKET SEAL	1



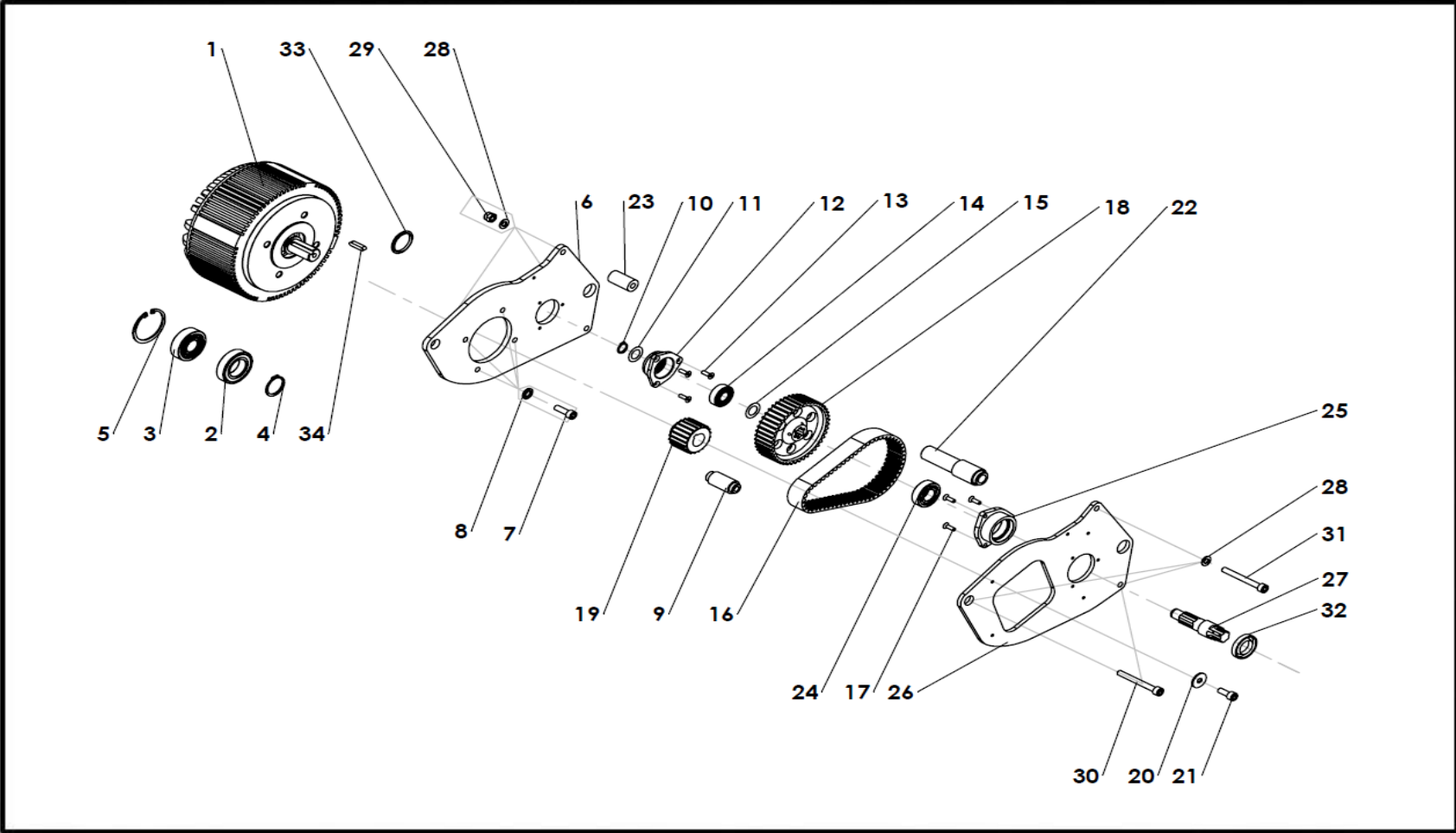
N°	REFERENCE	FRANCAIS	ENGLISH	QUANTITY
26	TL01J-30104-00-00	DOUILLE AIGUILLE BRAS HK20X20X2 RS	NEEDLE BEARING 20 X 20 X 2RS	4
27	TL01J-30105-00-00	ENTRETOISE ARTICULATION BRAS	SWINGARM SPACER	2
28	TL01J-30130-00-00	TENDEUR DE CHAINE	CHAIN TENSIONER	1
29	TL01J-30132-00-00	RESSORT TENDEUR DE CHAINE	CHAIN TENSIONER SPRING	1
30	TL01J-30131-00-00	ENTRETOISE TENDEUR DE CHAINE	CHAIN TENSIONER SPACER	1
31	0V020-08035-00-00	VIS FHC M8 X 35	SCREW FHC 8 X 35	1
32	TL01J-30130-02-ASM	CAOUTCHOUC TENDEUR	CHAIN TENSIONER RUBBER	1
33	TL01J-30123-00-00	RESSORT DE BEQUILLE	LATERAL STAND SPRING	1
34	TL01J-30121-00-00	BEQUILLE	LATERAL STAND	1
35	0V040-08012-00-00	VIS BHC M8 X 12	SCREW BHC 8 X 12	4
36	0V010-10050-04-00	VIS CHC M10 X 50	AXLE 10 X 50	1
37	TL01J-30120-00-00	SUPPORT BEQUILLE	STAND HOLDER	1
38	TL01J-30122-00-00	VIS SPECIALE BEQUILLE	SPECIAL STAND SCREW	1
39	TL01J-30101-00-00	BRAS OSCILLANT	SWINGARM	1
40	TL01J-30142-00-00	PROTEGE DISQUE ARRIERE	BRAKE DISC PROTECTOR	1
41	TL01J-30102-00-00	AXE BRAS OSCILLANT	SWING ARM AXLE	1
42	TL01J-30143-00-00	PROTEGE COURONNE	SPROKET PROTECTOR	1
43	0EC08-08000-00-00	ECROU NYLSTOP M8	NUT NYLSTOP M 8	2
44	TL01J-30111-01-ASM	BIELLETEDE SUSPENSION COMPLETE	REAR SUSPENSION LINK ASSY	2
45	TL01J-30144-00-00	CAOUTCHOUC MAINTIEN DE BEQUILLE	STAND RUBBER	1
46	TL01J-30401-10-ASM	BUTEE CAOUTCHOUC AMORTISSEUR	REAR SHOCK RUBBER	1
47	TL01J-30401-R2-ASM	RESSORT AMORTISSEUR SOUPLE	SOFT REAR SHOCK SPRING	1
48	TL01J-30401-R1-ASM	RESSORT AMORTISSEUR MEDIUM	MEDIUM REAR SHOCK SPRING	
49	TL01J-30401-R3-ASM	RESSORT AMORTISSEUR DUR	HARD REAR SHOCK SPRING	1
50	TL01K-60330-00-00	PROTECTIONS BRAS OSCILLANT	CARBON LOOK SWINGARM GUARDS	1



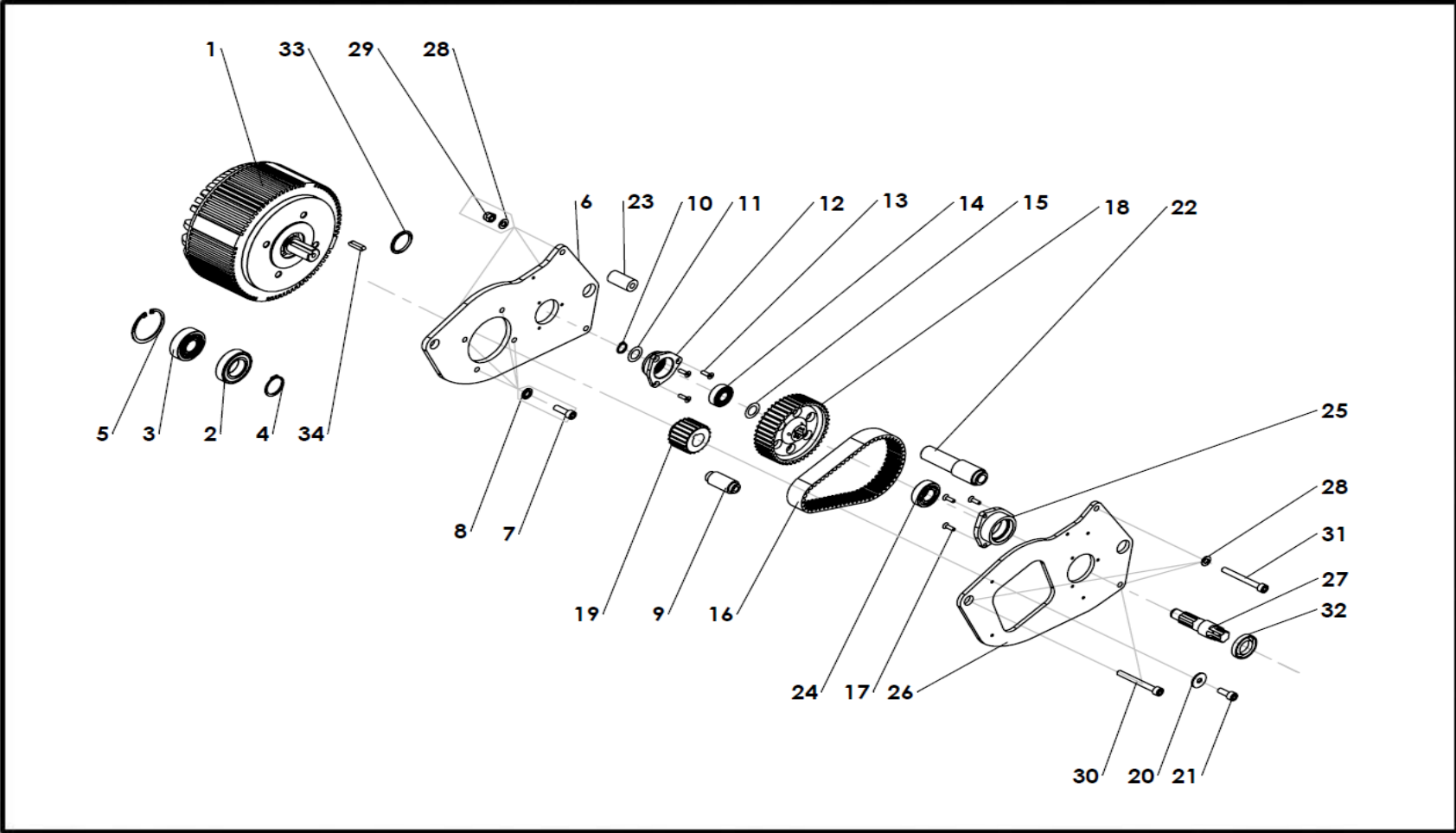
N°	REFERENCE	FRANCAIS	ENGLISH	QUANTITY
1	TL01J-30303-00-00	ECROU ROUE ARRIERE	NUT M 17	1
2	0R001-16030-03-00	RONDELLE M 16	WASHER M 16	1
3	TL01J-30305-00-00	EXCENTRIQUE DROIT	RIGHT CHAIN CAM ADJUSTER	1
4	TL01J-30306-00-00	ENTRETOISE ROUE ARRIERE	REAR WHELL SPACER	2
5	0V150-06020-00-00	VIS TH E 6 X 20	SCREW TH E 6 X 20	4
6	TL01J-30203-00-00	DISQUE FREIN ARRIERE TRIAL	REAR BRAKE TRIAL DISC	1
7	0RBR1-06004-01-00	ROULEMENT DE MOYEU 6004 2RS	HUB BEARING	2
8	TL01J-30312-00-00	PNEU ARRIERE TRIAL X LITE MICHELIN	REAR TRIAL TYRE X LITE MICHELIN	1
9	0CHA4-28130-00-05	CHAINE FAIBLE FROTTEMENT	LOW FRICTION CHAIN	1
10,1	0P316-20428-09-10	PIGNON 9 DENTS	9T FRONT SPROCKET	1
10,2	0P316-20428-11-10	PIGNON 11 DENTS	11T FRONT SPROCKET	1
11	0V020-08025-00-00	VIS FHC 8 X 25	SCREW FHC 8 X 25	4
12	TL01J-30304-00-00	EXCENTRIQUE GAUCHE	LEFT CHAIN CAM ADJUSTER	1
13	TL01J-30302-00-00	AXE ROUE ARRIERE	REAR WHEEL AXLE	1
14	0CP01-0201B-00-00	CIRCLIP D 15	CIRCLIP M 15	1
15	TL01J-30201-00-00	PEDALE FREIN ARRIERE	REAR BRAKE PEDAL	1
16	TL01J-30301-00-00	ROUE ARRIERE TRIAL	REAR TRIAL WHEEL ASSY	1
17	0V040-08050-00-00	VIS BHC 8 X 50	SCREW BHC 8 X 50	1
18	TL01J-30211-00-00	ENTRETOISE PEDALE DE FREIN	BRAKE PEDAL SPACER	1
19	0E05B-10015-00-00	ENTRETOISE BOCAL FREIN	BRAKE TANK SPACER	1
20	0EC08-08000-00-00	ECROU NYLSTOP M8	NUT NYLSTOP M 8	4
21	TL01J-30221-00-00	TIGE FREIN ARRIERE	REAR BRAKE ROD	1
22	0V040-06016-00-00	VIS BHC 6 X 16	SCREW BHC 6 X 16	2
23	TL01J-30200-00-00	GROUPE FREIN ARRIERE	REAR BRAKE ASSY	1
24	TL01J-30220-00-00	CHAPE PEDALE FREIN	BRAKE PEDAL CLEVIS	1
25	0EC02-06000-00-00	ECROU STANDARD M6	STANDARD NUT M 6	1



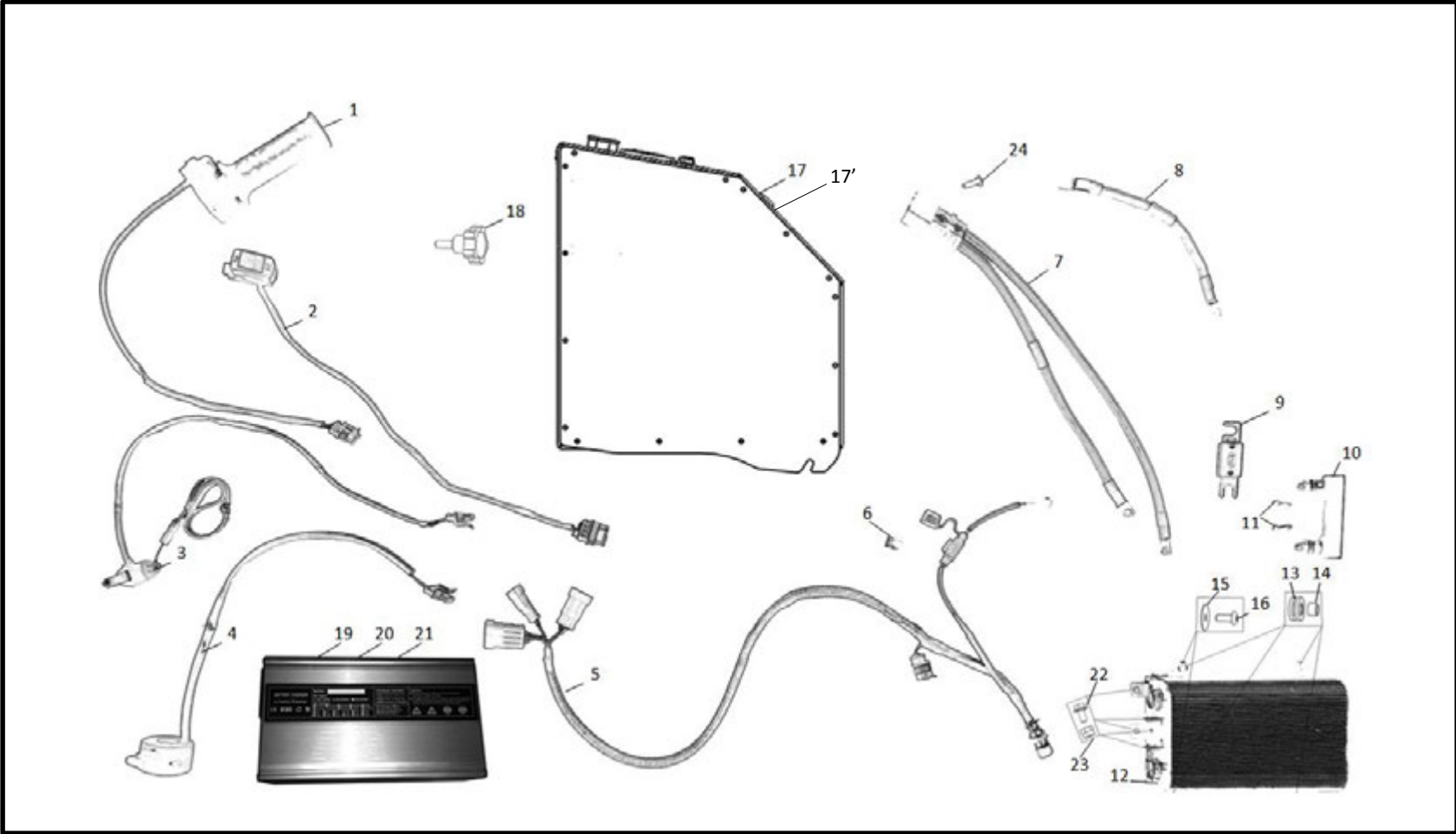
N°	REFERENCE	FRANCAIS	ENGLISH	QUANTITY
26	TL01J-30202-00-00	POMPE FREIN AR	REAR BRAKE PUMP	1
27	TL01J-30210-00-00	TUBE LIQUI. FREIN BOCAL/POMPE	OIL TANK PIPE	1
28	TL01J-30313-00-00	ECROU DE RAYON ARRIERE	REAR SPOKE NIPPLE	32
29	TL01J-30209-00-00	BOCAL LIQUIDE FREIN	OIL BRAKE TANK	1
30	OCR80-02428-57-00	COURONNE 57D FRICTION REDUITE	DRIVEN SPROCKET 57 T REDUCED FRICTION	1
31	OJA00-10014-1E-00	RONDELLE 10 X 14 X 1,5	WASHER 10 X 14 X 1,5	4
32	TL01J-30320-00-00	VALVE TUBELESS	TUBELESS VALVE	1
33	0V160-10021-00-0	VIS RACCORD BHC M10 X 21	SCREW BHC PRESSURE HOSE	1
34	TL01J-30208-00-00	DURITE FREIN ARRIERE	REAR BRAKE HOSE	1
35	TL01J-30212-00-00	KIT REPARATION POMPE FREIN	REAR BRAKE PUMP KIT REPAIR	1
36	TL01J-30204-00-00	ETRIER FREIN ARRIERE	REAR BRAKE CALIPER	1
37	0V140-10021-00-00	VIS RACCORD TH M10 X 21	SCREW TH PRESSURE HOSE	1
38	TL01J-30316-00-00	RAYON NOIR ROUE ARR 32 R DISQUE	REAR WHELL DISC SPOCKE	16
39	TL01J-30315-00-00	RAYON NOIR ROUE ARR 32 R COURONNE	REAR WHELL SPROCKET SPOCKE	16
40	TL01J-30311-00-12	JANTE ARRIERE TRIAL 32 RAYONS	REAR TRIAL 32 SPOKES WHELL	1
41	TL01J-30310-00-00	MOYEU ARRIERE	REAR HUB	1
42	TL01J-30213-00-00	KIT REPARATION ETRIER ARRIERE	REAR CALIPER REPAIR KIT	1
43	TL01J-30314-00-00	RAYON NOIR COURT ARRIERE	REAR WHEEL SHORT SPOKE	32
44	0AT02-42800-00-00	ATTACHE RAPIDE DE CHAINE	CONNECTING LINK	1
45	TL01J-30205-00-00	PLAQUETTES FREIN ARRIERE PAIRE	PAIR REAR BRAKE PAD	1
46	0ECWE-05015-00-00	ECROU WELNUT M 5	RUBBER WELNUT M 5	1
47	0R001-08025-02-00	RONDELLE M8 X 25	WASHER M8 X 25	1
48	TL01J-30207-00-00	VIS PURGE AVEC BOUCHON ARR	REAR BLEEDER CAP ASSY	1
49	TL01J-30206-00-00	AXE EPINGLE PLAQUETTE	PAD PIN CLIP	1
50	TL01J-30214-00-00	KIT PLAQUETTES ARRIERE COMPLET	REAR PAD KIT	1
54	TL01J-30215-00-00	KIT POMPE / BOCAL FREIN ARR	REAR BRAKE PUMP / TANK KIT	1



N°	REFERENCE	FRANCAIS	ENGLISH	QUANTITY
1	TL01K-40100-10-00	MOTEUR COMPLET	MOTOR ASSY	1
2	0RBR1-06006-01-00	ROULEMENT 6006	BEARING 6006	1
3	0RBR1-06304-01-00	ROULEMENT 6304	BEARING 6304	1
4	0CP00-01030-00-00	CIRCLIP ARBRE 30	SHAFT CIRCLIP 30	1
5	0CP02-05602-00-00	CIRCLIP ALESAGE 56	BORE CIRCLIP 56	1
6	TL01K-50102-00-00	PLATINE TRANSMISSION DROITE	RIGTH TRANSMISSION PLATE	1
7	0V010-08025-00-00	VIS CHC M8 X 25	SCREW CHC M 8 X 25	5
8	0R012-08018-00-00	RONDELLE M 8 CONTACT	SPECIAL WASHER M 8	4
9	TL01K-50104-00-00	ENTRETOISE PLATINE AVANT	FRONT PLATE SPACER	1
10	0CP01-01501-00-00	CIRCLIP ARBRE 15	SHAFT CIRCLIP 15	1
11	0R011-15021-0C-00	RONDELLE CALAGE 15	CALIBRATION WASHER 15	2
12	TL01K-50107-00-00	COQUILLE ROULEMENT DROITE	RIGHT ROLL BOX BEARING	1
13	0V020-05016-00-00	VIS FHC M5 X 16	SCREW FHC 5 X 16	3
14	0RBR1-06202-01-00	ROULEMENT 6202	BEARING 6202	1
15	0R001-15028-2E-00	RONDELLE M14	WASHER 14	1
16	0CR01-000M8-60-27	COURROIE	TRANSMISSION BELT	1
17	0V020-05016-00-00	VIS FHC M5 X 16	SCREW FHC 5 X 16	3
18	0PL10-08044-16-30	POULIE MENEES 44 DENTS	DRIVEN PULLEY 44 T	1
19	0PL12-08020-22-30	POULIE MENANTE 20 DENTS	DRIVING PULLEY 20 T	1
20	0R001-08025-02-00	RONDELLE M8 X 25	WASHER M 8 X 25	1
21	0V010-08020-00-00	VIS CHC M8 X 20	SCREW CHC M 8 X 20	1
22	TL01K-50103-00-00	ENTRETOISE PLATINE BRAS	SWING ARM PLATE SPACER	1
23	TL01K-50105-00-00	ENTRETOISE PLATINE ARRIERE	REAR PLATE SPACER	1
24	0RBR1-06004-01-00	ROULEMENT 6004	BEARING 6004	1
25	TL01K-50106-00-00	COQUILLE ROULEMENT DROITE	LEFT ROLL BOX BEARING	1



N°	REFERENCE	FRANCAIS	ENGLISH	QUANTITY
26	TL01K-50101-00-01	PLATINE TRANSMISSION GAUCHE	LEFT TRANSMISSION PLATE	1
27	TL01J-50110-00-00	ARBRE PRIMAIRE	PRIMARY SHAFT	1
28	0R001-08018-00-00	RONDELLE M8	WASHER M 8	6
29	0EC08-08000-00-00	ECROU NYLSTOP M8	NUT NYLSTOP M 8	3
30	0V010-08070-00-00	VIS CHC M8 X 70	SCREW CHC M 8 X 70	2
31	0V010-08080-00-00	VIS CHC M8 X 80	SCREW CHC M 8 X 80	1
32	TL01K-50120-00-00	BOUCHON	CAP	1
33	0SP24-04007-00-00	JOINT SPY 24X40X7	SEAL OIL	1
34	0CLB0-60635-00-00	CLAVETTE 6X6X35	WOODURF	1

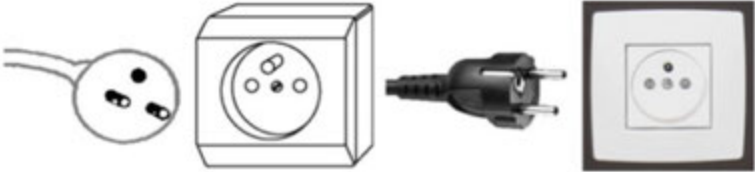


N°	REFERENCE	FRANCAIS	ENGLISH	QUANTITY
1	TL01J-60401-00-00	POIGNEE ACCELERATEUR	THROTTLE HANDLE	1
2	TL01J-60407-00-00	COMMUTATEUR MAP	MAP COMMUTATOR	1
3	TL01J-60101-00-00	AIMANT COUPE CIRCUIT	MAGNET EMERGENCY STOP	1
4	TL01J-60406-00-00	COMMUTATEUR GENERAL	MAIN COMMUTATOR	1
5	TL01J-50404-00-00	FAISCEAU PRINCIPAL	MAIN HARNESS	1
6	FUS02-00002-00-00	FUSIBLE 2A	2A FUSE	1
7	TL01J-50212-00-00	CABLE DECHARGE MOTO	MOTORCYCLE DISCHAGE CABLE	1
8	TL01J-50213-00-00	CABLE FUSIBLE CONTROLEUR	FUSE CONTROLLER CABLE	1
9	FUS01-00200-01-00	FUSIBLE PRINCIPAL 300A	300A MAIN FUSE	1
10	TL01H-50208-00-00	PORTE FUSIBLE PRINCIPAL	MAIN FUSE HOLDER	1
11	0V110-48016-00-00	VIS TOLE 4,8X16	SCREW 4,8X16	1
12	TL01H-50301-00-00	CONTROLEUR	CONTROLLER	1
13	0SL01-11018-07-00	SILENTBLOCK NOIR D18XD11X7,5	SILENTBLOCK	4
14	0E06E-09006-00-00	ENTRETOISE	SPACER	4
15	0R001-05015-01-00	RONDELLE M 5	WASHER M 5	2
16	0V040-05016-00-00	VIS BHC M5 X 16	SCREW BHC M5 X 16	2
17	TL01K-50200-25-00	PACK BATTERIE 24,5Ah	BATTERY PACK 24,5Ah	1
17'	TL01K-50200-16-00	PACK BATTERIE 16Ah	BATTERY PACK 16Ah	1
18	0V170-06015-00-00	MOLETTE M6 X 15	SPECIAL SCREW M6 X 15	3
19	CHG01-48006-02-01	CHARGEUR 6A	6A CHARGER OPTIONAL	1
20	CHG01-52010-02-01	CHARGEUR 10A SERIE	10A CHARGER SERIE	1
21	CHG01-52015-02-01	CHARGEUR 15A	15A CHARGER OPTIONAL	1
22	0V150-06012-00-00	VIS THE M6 X 12	SCREW TH E M6 X 12	5
23	0EC08-06000-00-00	ECROU NYLSTOP M6	NUT NYLSTOP M 6	5
24	0V040-05020-00-00	VIS BHC M5 X 20	SCREW BHC M5 X 20	1

25

TYPE E


France - Belgique - Pologne - Slovaquie Rép. Tchèque
Tunisie & Maroc



26

TYPE G


UNITED KINGDOM



27

TYPE J


SUISSE



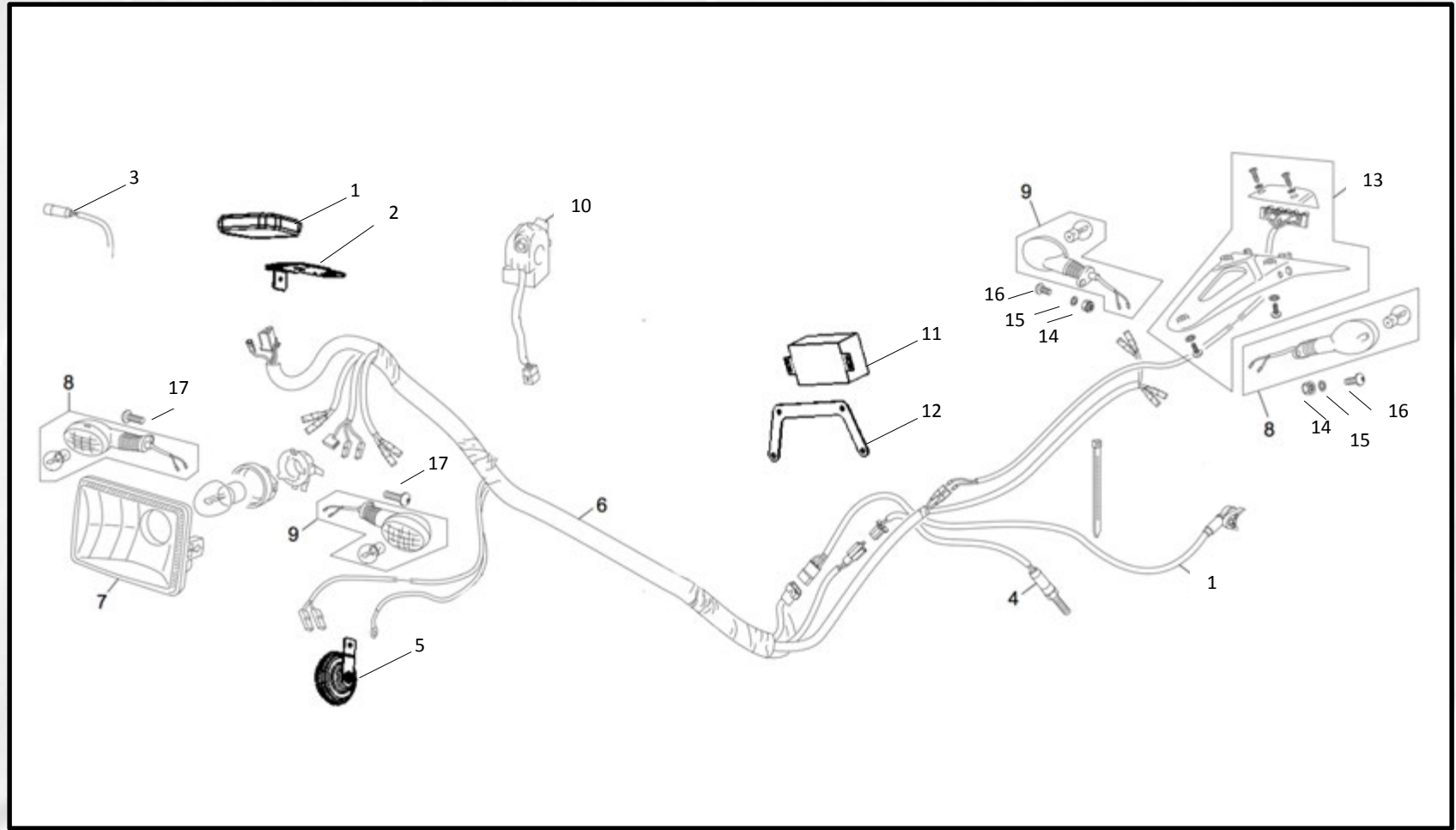
28

TYPE B

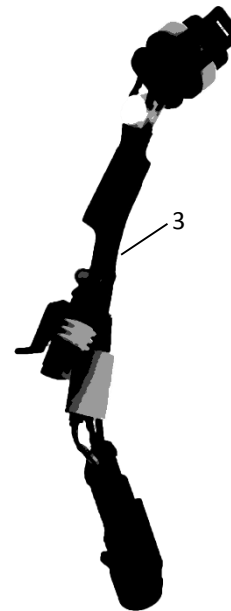
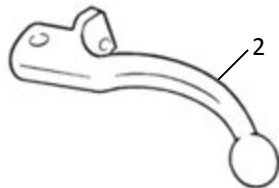
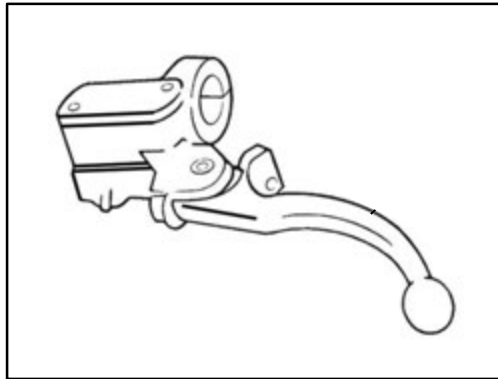
USA – Canada – Japan



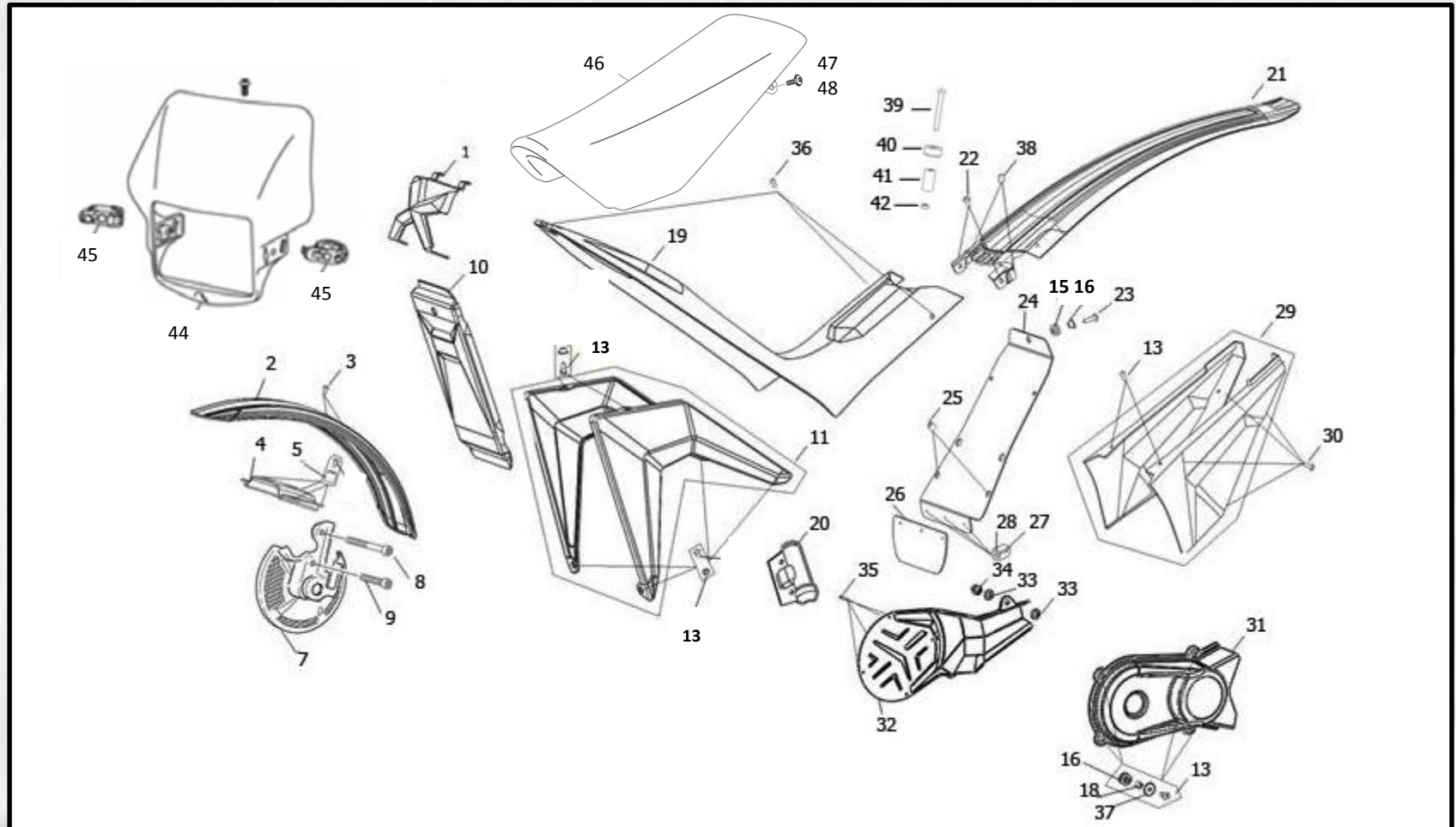
N°	REFERENCE	FRANCAIS	ENGLISH	QUANTITY
25	CAB01-05012-00-00	CABLE CHARGEUR 10&15A - France	CHARGER PLUG 10&15A - France	1
26	CAB01-07012-00-00	CABLE CHARGEUR 10&15A - Royaume-Uni	CHARGER PLUG 10&15A - United Kingdom	1
27	CAB01-10012-00-00	CABLE CHARGEUR 10&15A - Suisse	CHARGER PLUG 10&15A - Switzerland	1
28	CAB01-02012-00-00	CABLE CHARGEUR 10&15A - USA-Canada	CHARGER PLUG 10&15A - USA-Canada	1



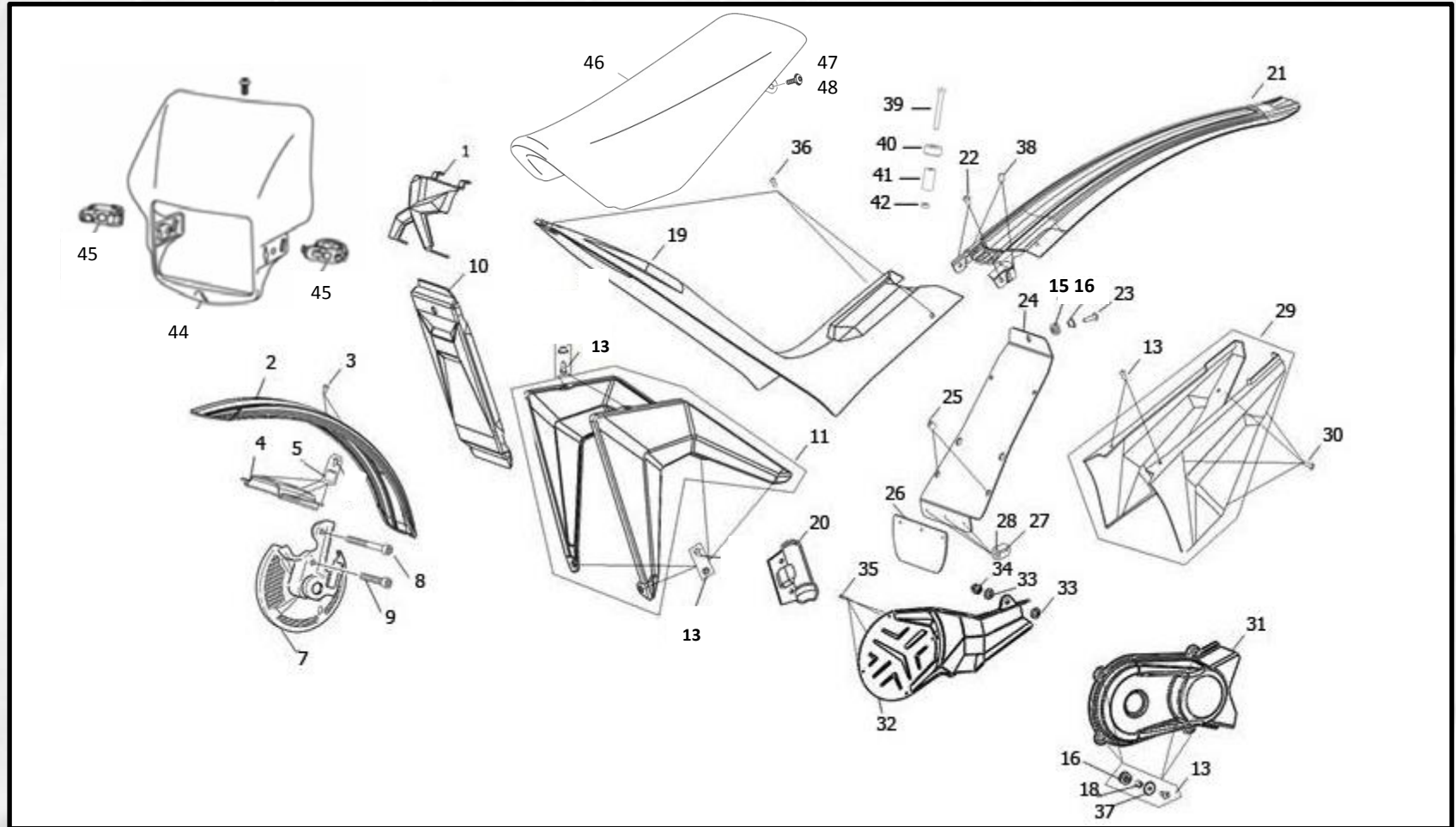
N°	REFERENCE	FRANCAIS	ENGLISH	QUANTITY
1	TL01K-60610-00-00	COMPTEUR / CAPTEUR DE VITESSE	SPEEDOMETER / SPEED SENSOR	1
2	TL01K-60502-00-00	SUPPORT COMPTEUR	SPEEDOMETER SUPPORT	1
3	TL01K-60613-00-00	CAPTEUR DE FREIN AVANT	FRONT BRAKE SENSOR	1
4	TL01K-60614-00-00	CAPTEUR DE FREIN ARRIERE	REAR BRAKE SENSOR	1
5	TL01K-60603-00-00	KLAXON	HORN	1
6	TL01K-50403-00-00	FAISCEAU ECLAIRAGE & SUPPORT AMPOULE VEILLEUSE	ELECTRICAL WIRING	1
7	TL01K-60602-00-00	OPTIQUE HOMOLOGUEE CE	HOMOLOGATED HEADLIGHT	1
8	TL01K-60607-00-00	CLIGNOTEUR AVD/ARG	TURN LIGHT FRONT/RIGHT AND REAR/LEFT	2
9	TL01K-60606-00-00	CLIGNOTEUR AVG/ARD	TURN LIGHT FRONT/LEFT AND REAR/RIGHT	2
10	TL01K-60407-00-00	COMMODO (ALLUMAGE ECLAIRAGE CLIGNOTANTS)	LEFT CERTIFIED COMMUTATOR	1
11	TL01K-60601-00-00	CONVERTISSEUR 48 – 12V	CONVERTER 48 – 12 V	1
12	TL01K-60504-00-00	SUPPORT CONVERTISSEUR	CONVERTER SUPPORT	1
13	TL01K-60608-00-00	BAVETTE FEU ARRIERE	REAR FLAP	1
14	0EC08-05000-00-00	ECROU NYLSTOP M 5	NUT NYLSTOP M 5	2
15	0R001-05015-01-00	RONDELLE M5 LARGE	M5 LARGE WASHER	2
16	0V040-05016-00-00	VIS BHC 5 X 16	SCREW BHC 5 X 16	2
17	0V040-06020-00-00	VIS BHC M6 X 20	SCREW BHC M6 X 20	2



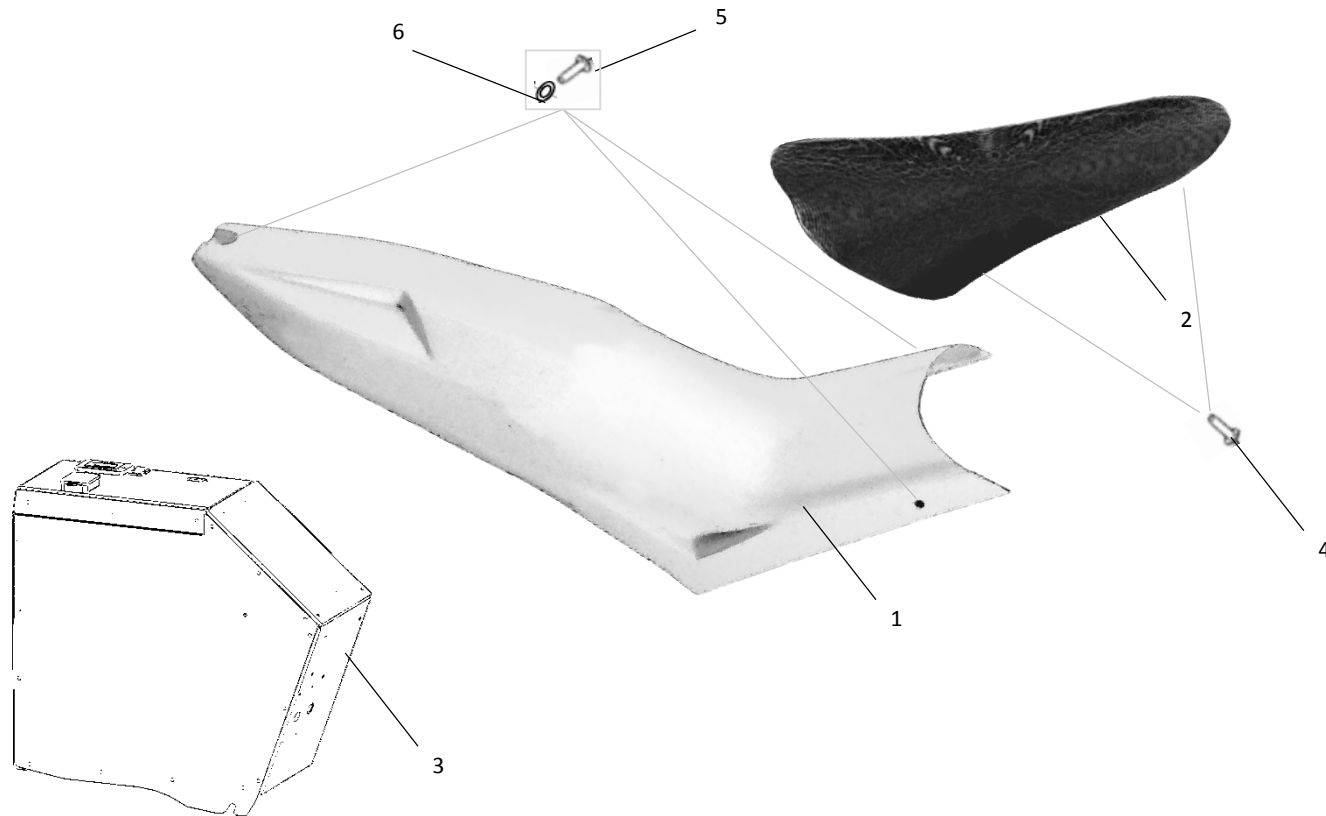
N°	REFERENCE	FRANCAIS	ENGLISH	QUANTITY
1	TL01K-60403-01-00-ASM	ELS COMPLET	ELS ASSEMBLY	1
2	TL01K-60403-00-00	LEVIER ELS	ELS LEVER	1
3	TL01L-50314-00-00	FAISCEAU MAP TRIAL1 / TRIAL 2 (SPORT)	MAP HARNESS TRIAL 1 / TRIAL 2 (SPORT)	1



N°	REFERENCE	FRANCAIS	ENGLISH	QUANTITY
1	TL01K-70104-01-00	PLAQUE AVANT EM	RACING FRONT HEAD EM	1
2	TL01J-70103-00-00	GARDE BOUE AVANT	FRONT BLACK MUDGUARD	1
3	0V100-05012-00-00	VIS BHCE M5 X 12	SCREW BHCE 5 X 12	2
4	TL01K-20140-00-00	PONTET GARDE-BOUE AVANT	MUDGUARD HOLDER	1
5	0V040-06020-00-00	VIS BHC M6 X 16	SCREW BHC M6 X 16	4
7	TL01J-70105-00-00	PROTEGE DISQUE AVANT NOIR	FRONT BLACK DISC PROTECTOR	1
8	0V010-08060-00-00	VIS CHC M8 X 60	SCREW CHC 8 X 60	1
9	0V010-08035-00-00	VIS CHC M8 X 35	SCREW CHC 8 X 35	1
10	TL01J-70203-00-00	PROTEGE BATTERIE AVANT	FRONT BATTERY PROTECTOR	1
11	TL01H-70101-00-00	CACHE AVANT PAIRE	LATERAL BATTERIE COVER SET	1
13	0RV013-02010-11-NO	RIVET PUSH	PUSH RIVET	6
15	0SL01-11018-07-00	SILENTBLOCK	SILENTBLOCK	1
16	0E06E-09006-14-00	ENTRETOISE EPAULE	SPECIAL SPACER	3
18	0E008-07009-00-00	ENTRETOISE	SILENTBLOCK SPACER	4
19	TL01J-70201-00-00	CAPOT	COVER	1
20	TL01J-60311-00-00	PROTEGE POMPE FREIN ARRIERE	REAR PUMP PLASTIC PROTECTOR	1
21	TL01J-70302-00-01	GARDE BOUE ARRIERE NOIR	BLACK REAR MUDGUARD	1
22	0V100-06016-00-00	VIS BHCE M6 X 16	SCREW BHCE 6 X 16	2
23	0V100-06025-00-00	VIS BHCE M6 X 25	SCREW BHCE 6 X 25	1
24	TL01J-60301-00-00	PASSAGE DE ROUE	UNDERTRAY	1
25	0E06B-10010-00-00	ENTRETOISE PLASTIQUE NOIRE	BLACK PLASTIC SPACER	2

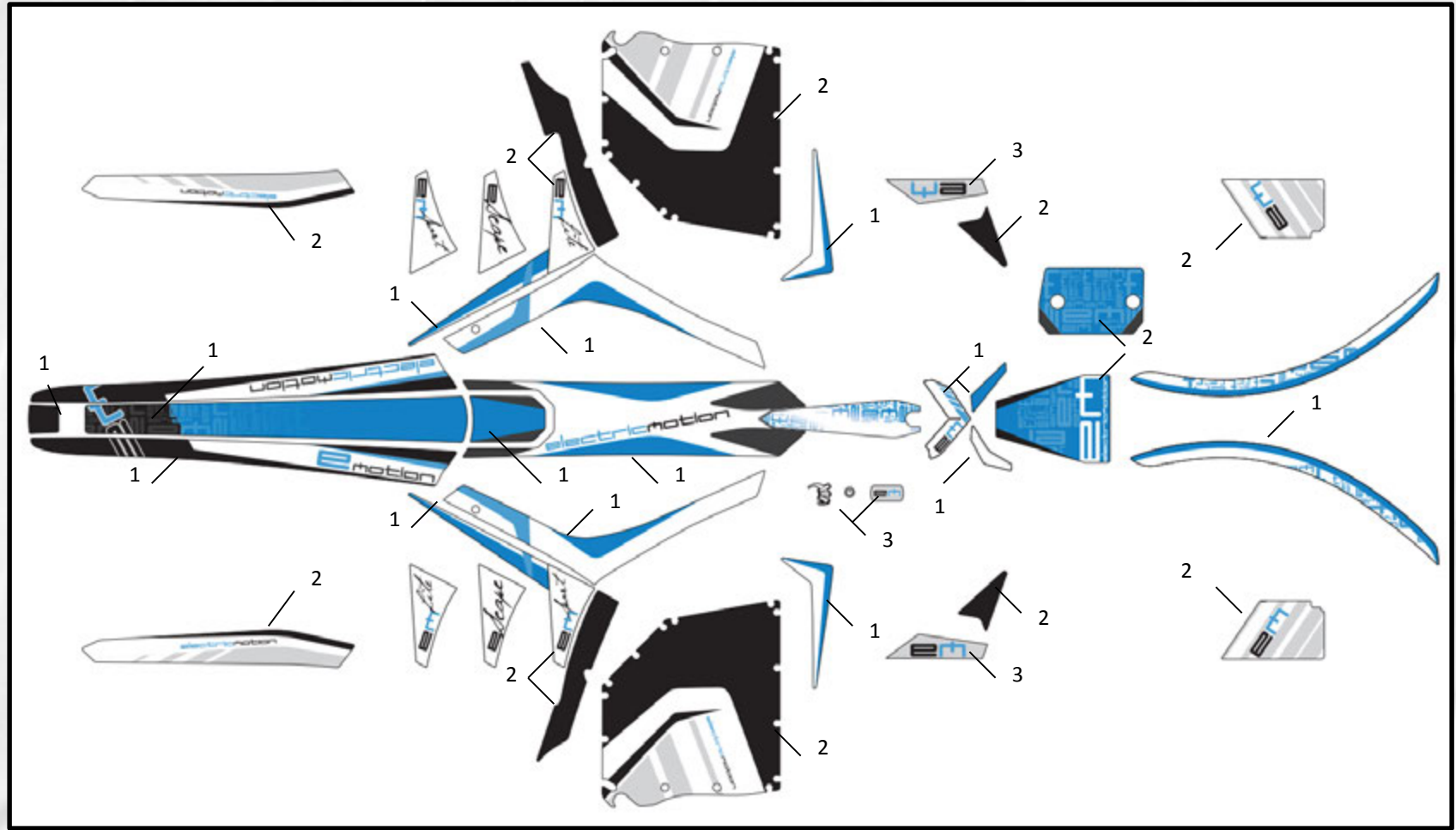


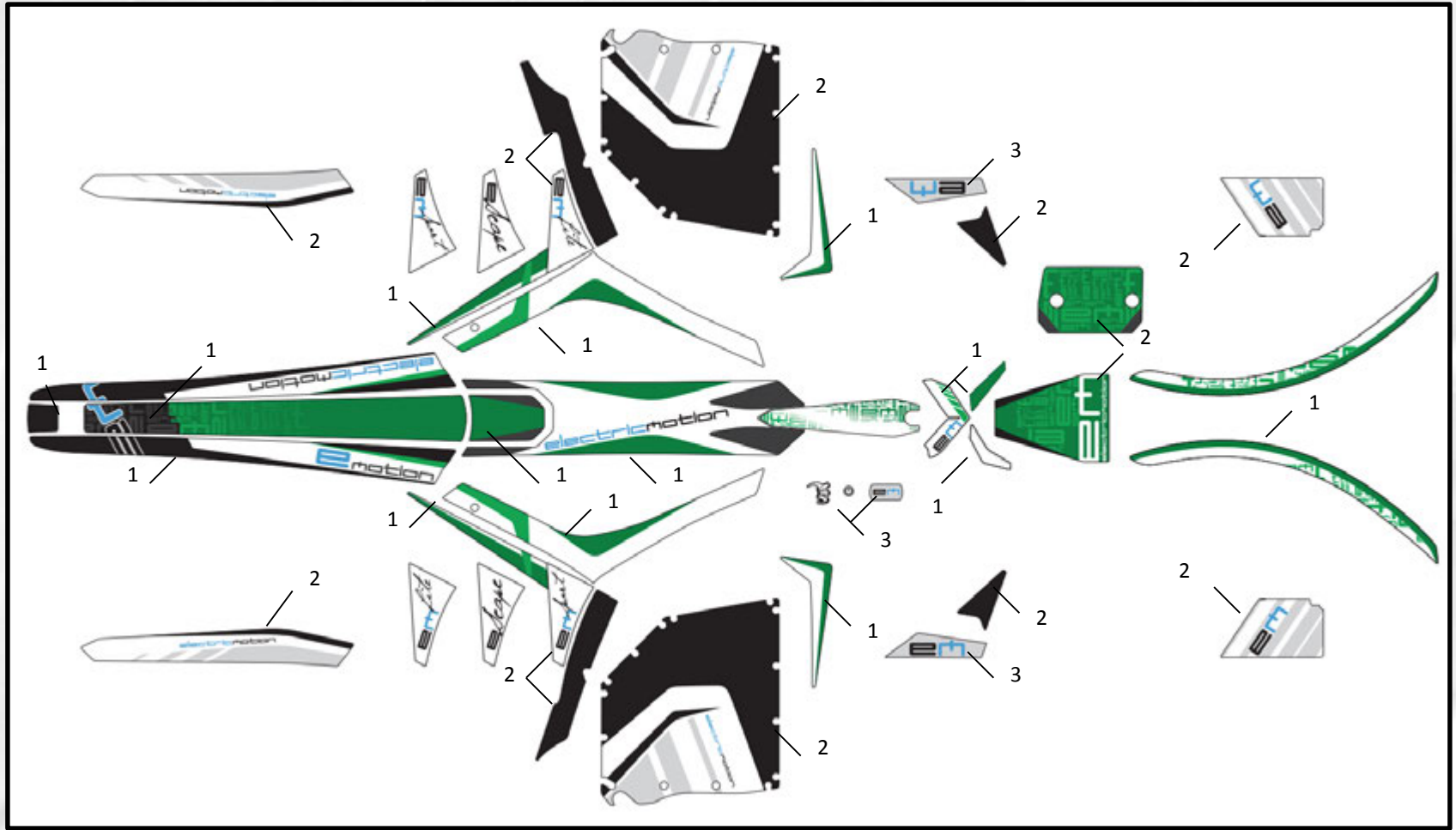
N°	REFERENCE	Français	ENGLISH	QUANTITY
26	TL01J-60302-00-00	BAVETTE AMORTISSEUR	REAR SHOCK RUBBER PROTECTOR	1
27	0RV01-03008-00-N0	RIVET M3 NOIR	BLACK RIVET M 3	3
28	0R001-03009-0H-00	RONDELLE M3 LARGE	WASHER M 3	3
29	TL01H-70301-00-00	CACHE ARRIERE PAIRE	REAR COVER SET	1
30	0V040-05020-00-00	VIS BHC M5 X 20	SCREW BHC 5 X 20	4
31	TL01H-70202-00-00	CARTER TRANSMISSION RACING	RACING TRANSMISSION COVER	1
32	TL01J-70204-00-00	CARTER MOTEUR	ENGINE PROTECTOR	1
33	0R001-08018-00-00	RONDELLE M8	WASHER M 8	2
34	0EC08-08000-00-00	ECROU NYLSTOP M8	NUT NYLSTOP M 8	1
35	0V010-03010-00-00	VIS CHC M3 X 10	SCREW CHC 3 X 10	4
36	0V100-05016-00-00	VIS BHCE M5 X 16	SCREW BHCE M5 X 16	3
37	0R001-05015-01-00	RONDELLE M5 LARGE	M5 LARGE WASHER	4
38	0ECWE-05015-00-00	ECROU WELNUT M 5	RUBBER WELNUT M 5	2
39	0V040-06050-00-00	VIS BHC M6 X 50	SCREW BHC M6 X 50	1
40	0ET20-6C025-12-N0	TAMPON CAPOT	STOP CAPOT	1
41	0E030-06015-N0-00	ENTRETOISE M6 X 30	SPACER M6 X 30	1
42	0EC08-06000-00-00	ECROU NYLSTOP M6	ECROU NYLSTOP M6	1
43	0CT01-05096-00-00	CLOU TARAUDE	NAIL CLIP	2
44	TL01K-70102-00-00	PLAQUE PHARE HOMOLOGUEE	HOMOLOGATED PLATE HEADLIGHT	1
45	TL01K-70106-00-00	CAOUTCHOUC PLAQUE PHARE	RUBBER FRONT LIGHT	2
46	TL01K-60620-00-01	SELLE EM	EM SEAT	1
47	0V100-05020-00-00	VIS BHC M5 X 20	SCREW BHC M5 X 20	2
48	0R001-05015-01-00	RONDELLE M5 LARGE	M5 LARGE WASHER	2

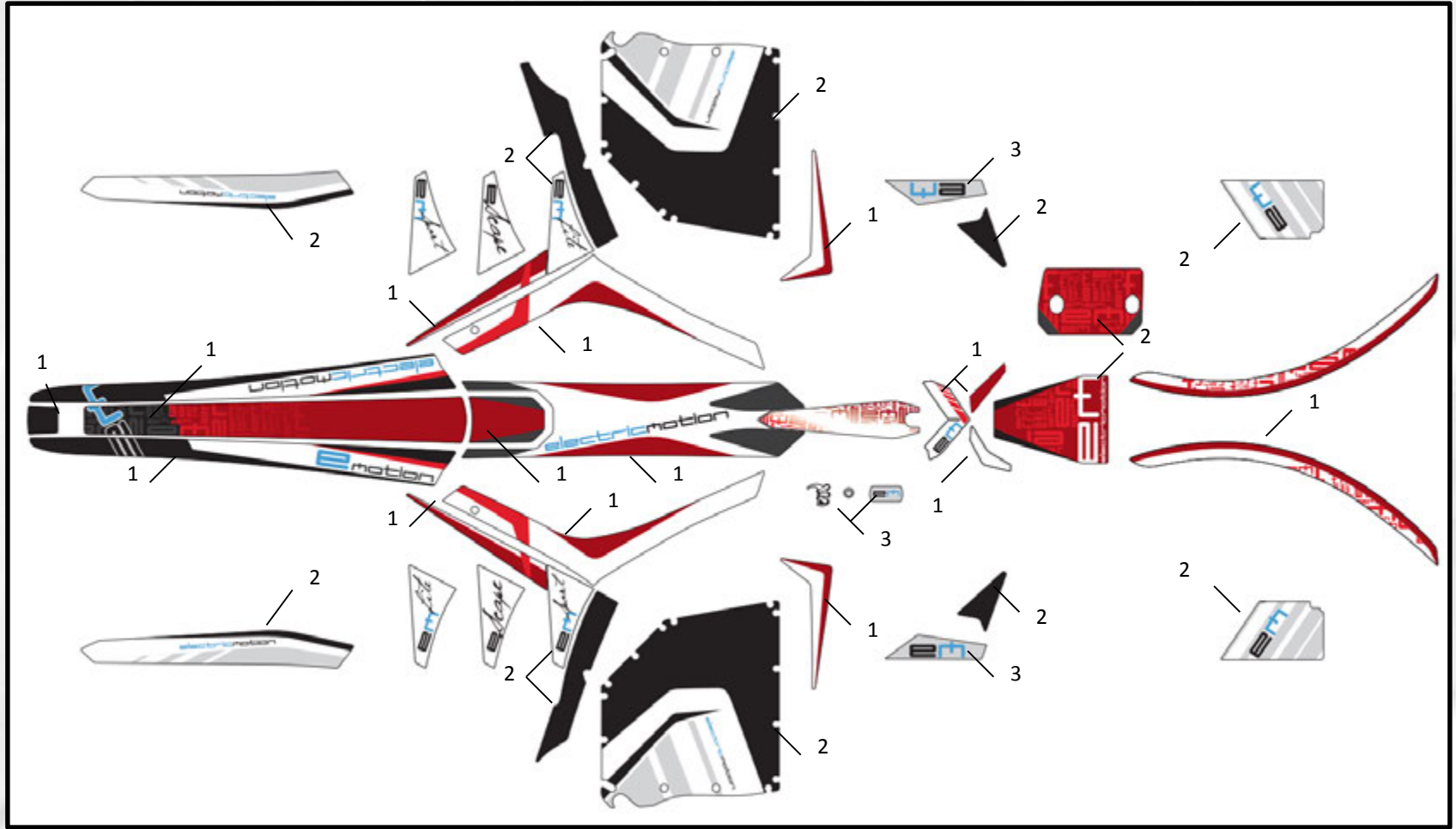


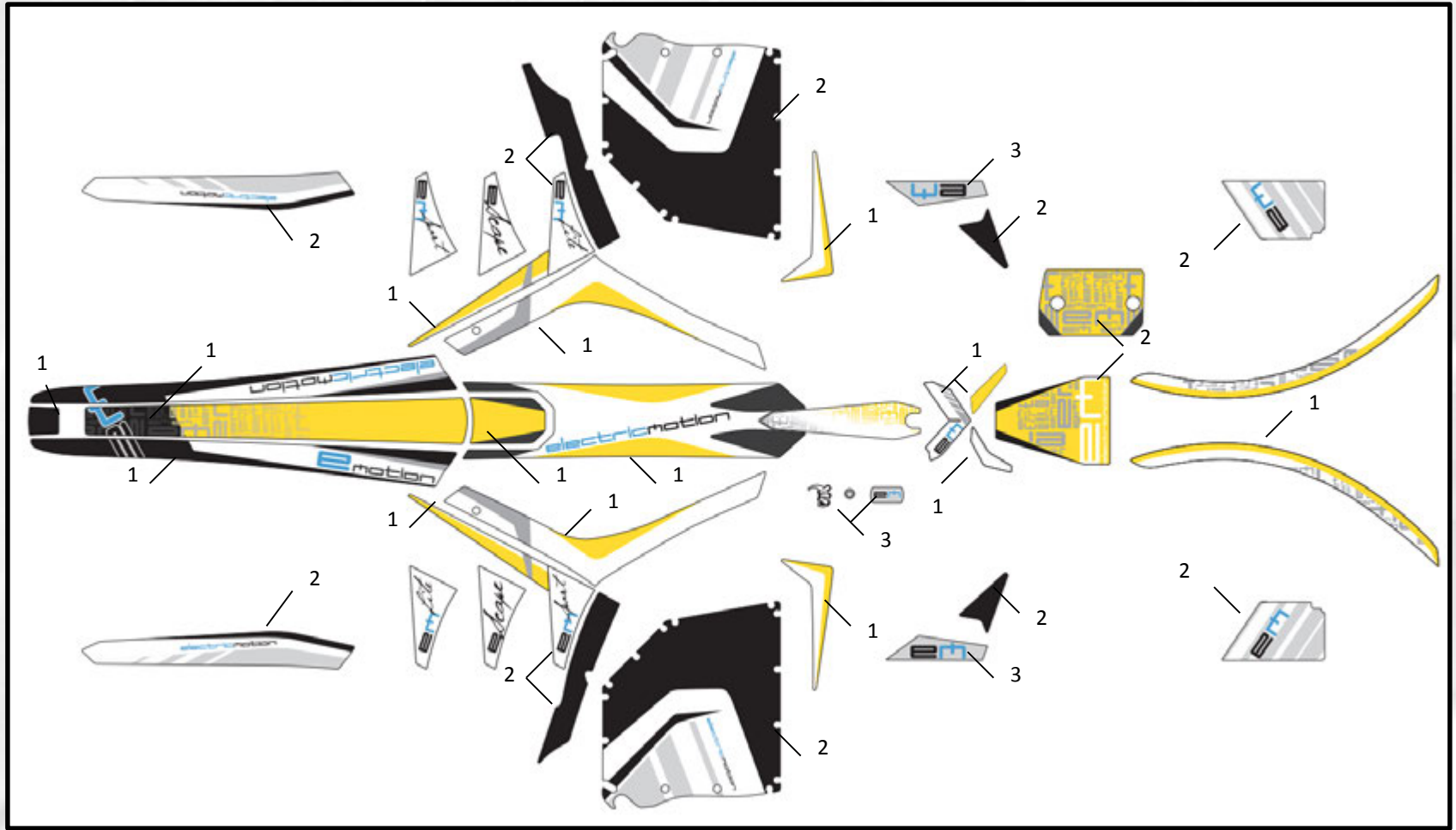
7-8-9-10 // Visuels disponibles prochainement

N°	REFERENCE	FRANCAIS	ENGLISH	QUANTITY
1	TL01E-70201-00-00	CAPOT ESCAPE	ESCAPE COVER	1
2	TL01E-60620-00-01	SELLE ESCAPE	ESCAPE SEAT	1
3	TL01E-50205-00-00	BATTERIE 13S 40Ah	13S 40Ah BATTERY	1
4	0V040-06016-02-00	VIS BHCE 6X16 ZI	SCREW BHC E 6X16	2
5	0V040-05020-00-00	VIS BHC 5X20	VIS BHC 5X20	3
6	0R008-05010-01-00	RONDELLE PLASTIQUE	PLASTIC WASHER	3
7	TL01E-80301-00-04	AUTOCOLLANTS ESCAPE - BLEU	ESCAPE STICKER - BLUE	1
8	TL01E-80301-00-08	AUTOCOLLANTS ESCAPE - VERT	ESCAPE STICKER - GREEN	1
9	TL01E-80301-00-05	AUTOCOLLANTS ESCAPE - ROUGE	ESCAPE STICKER - RED	1
10	TL01E-80301-00-06	AUTOCOLLANTS ESCAPE - JAUNE	ESCAPE STICKER - YELLOW	1









N°	REFERENCE	FRANCAIS	ENGLISH	QUANTITY
1	TL01L-80101-00-04	JEU STICKERS BRILLANT EM - BLEU	GLOSSY STICKERS SET - BLUE	1
2	TL01L-80201-00-04	JEU STICKERS 3D EM - BLEU	3D STICKERS SET EM - BLUE	1
3	TL01L-80401-00-00	STICKERS INFORMATIONS	INFORMATION STICKER	1

N°	REFERENCE	FRANCAIS	ENGLISH	QUANTITY
1	TL01L-80101-00-08	JEU STICKERS BRILLANT EM - VERT	GLOSSY STICKERS SET - GREEN	1
2	TL01L-80201-00-08	JEU STICKERS 3D EM - VERT	3D STICKERS SET EM - GREEN	1
3	TL01L-80401-00-00	STICKERS INFORMATIONS	INFORMATION STICKER	1

N°	REFERENCE	FRANCAIS	ENGLISH	QUANTITY
1	TL01L-80101-00-05	JEU STICKERS BRILLANT EM - ROUGE	GLOSSY STICKERS SET - RED	1
2	TL01L-80201-00-05	JEU STICKERS 3D EM - ROUGE	3D STICKERS SET EM - RED	1
3	TL01L-80401-00-00	STICKERS INFORMATIONS	INFORMATION STICKER	1

N°	REFERENCE	FRANCAIS	ENGLISH	QUANTITY
1	TL01L-80101-00-06	JEU STICKERS BRILLANT EM - JAUNE	GLOSSY STICKERS SET - YELLOW	1
2	TL01L-80201-00-06	JEU STICKERS 3D EM - JAUNE	3D STICKERS SET EM - YELLOW	1
3	TL01L-80401-00-00	STICKERS INFORMATIONS	INFORMATION STICKER	1



40 rue des Gardians
ZAC VIA DOMITIA
34160 CASTRIES – FRANCE

Tel : +33 (0) 4 67 41 10 90

Mail : emotion.sav@gmail.com

www.electric-motion.fr



MOTUL

