

ELECTRIC MOTION

***EPURE
RANGE***

PART LIST

2020

INFORMATION

ELECTRIC MOTION

ZAC VIA DOMITIA

280 rue du Trident

34740 Vendargues

FRANCE



+33 467 411 090



www.electric-motion.fr



emotion.sav@gmail.com



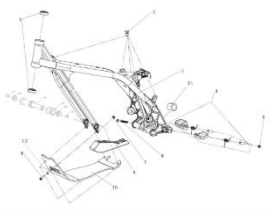
info@electric-motion.fr



Projet cofinancé par le Fonds Européen de Développement Régional

The data of this document are not contractual and can be modified without notice.

01-FRAME

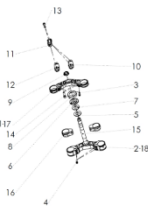


N°	REP. IM.	DESIGNATION	Qty	N°	REP. IM.	DESIGNATION	Qty
1	70201-0000-00	STAYING BEARING	2	13	70200-0000-00	UPPER FORK CLAMP	1
2	70201-0000-00	STEERING SHAFT	1	14	70200-0000-00	LOWER FORK CLAMP	1
3	70200-0000-00	FRAMES	1				
4	70200-0000-00	LEFT DOWN TUBE	1				
5	70200-0000-00	LEFT UPPER TUBE	1				
6	70200-0000-00	RIGHT DOWN TUBE	1				
7	70200-0000-00	RIGHT UPPER TUBE	1				
8	70200-0000-00	SEAT STAY CHC (L&R) HEAD 148 1/4"	2				
9	70201-0000-00	SEAT STAY CHC 1 1/2"	2				
10	70200-0000-00	SLANT BLC	1				
11	70200-0000-00	SHOCK ARM	2				
12	70201-0000-00	SHOCK P.C. BUSH	2				
13	70200-0000-00	SHOCK BUSH	2				
14	70200-0000-00	SHOCK ARM	2				
15	70200-0000-00	FRAME PLASTIC PROTECTOR	1				
16	70200-0000-00	SWAY PLATE	1				

2020

6

02-STEERING

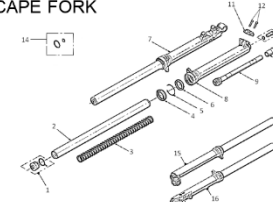


N°	REP. IM.	DESIGNATION	Qty	N°	REP. IM.	DESIGNATION	Qty
3	70201-0000-00	UPPER FORK CLAMP (L&R)	1	11	70200-0000-00	UPPER FORK CLAMP	1
4	70201-0000-00	LOWER FORK CLAMP	1	12	70200-0000-00	LOWER FORK CLAMP	1
5	70201-0000-00	STEM	1				
6	70201-0000-00	STEM END P. 1/2"	1				
7	70201-0000-00	STEM END P. 1 1/4"	1				
8	70201-0000-00	STEM END P. 1 1/2"	1				
9	70201-0000-00	STEM END P. 1 1/8"	1				
10	70201-0000-00	STEM END P. 1 3/8"	1				
11	70200-0000-00	UPPER FORK CLAMP	1				
12	70200-0000-00	LOWER FORK CLAMP	1				
13	70200-0000-00	UPPER FORK CLAMP	1				
14	70200-0000-00	LOWER FORK CLAMP	1				
15	70200-0000-00	UPPER FORK CLAMP	1				
16	70200-0000-00	LOWER FORK CLAMP	1				

2020

7

03-1-LITE / ESCAPE FORK

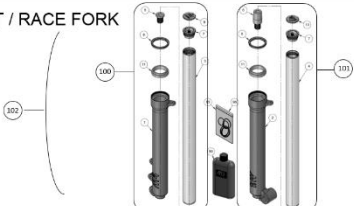


N°	REP. IM.	DESIGNATION	Qty	N°	REP. IM.	DESIGNATION	Qty
1	70201-0000-00	UPPER FORK TUBE	2	11	70200-0000-00	UPPER FORK CLAMP	1
2	70201-0000-00	LOWER FORK TUBE	2	12	70200-0000-00	LOWER FORK CLAMP	1
3	70201-0000-00	TRIPLE CLAMP	2				
4	70201-0000-00	TRIPLE CLAMP	2				
5	70201-0000-00	TRIPLE CLAMP	2				
6	70201-0000-00	TRIPLE CLAMP	2				
7	70201-0000-00	TRIPLE CLAMP	2				
8	70201-0000-00	TRIPLE CLAMP	2				
9	70201-0000-00	TRIPLE CLAMP	2				
10	70201-0000-00	TRIPLE CLAMP	2				
11	70200-0000-00	UPPER FORK CLAMP	1				
12	70200-0000-00	LOWER FORK CLAMP	1				
13	70201-0000-00	TRIPLE CLAMP	2				
14	70201-0000-00	TRIPLE CLAMP	2				
15	70201-0000-00	TRIPLE CLAMP	2				
16	70201-0000-00	TRIPLE CLAMP	2				

2020

8

03-2- SPORT / RACE FORK

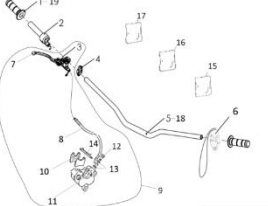


N°	REP. IM.	DESIGNATION	Qty	N°	REP. IM.	DESIGNATION	Qty
1	70201-0000-00	LEFT T.C.	2	9	70200-0000-00	LOWER FORK CLAMP	1
2	70201-0000-00	RIGHT T.C.	2	10	70200-0000-00	UPPER FORK CLAMP	1
3	70200-0000-00	UPPER FORK TUBE	2				
4	70200-0000-00	LOWER FORK TUBE	2				
5	70200-0000-00	TRIPLE CLAMP	2				
6	70200-0000-00	TRIPLE CLAMP	2				
7	70200-0000-00	TRIPLE CLAMP	2				
8	70200-0000-00	TRIPLE CLAMP	2				
9	70200-0000-00	LOWER FORK CLAMP	1				
10	70200-0000-00	UPPER FORK CLAMP	1				
11	70200-0000-00	UPPER FORK CLAMP	1				
12	70200-0000-00	LOWER FORK CLAMP	1				
13	70200-0000-00	UPPER FORK CLAMP	1				
14	70200-0000-00	LOWER FORK CLAMP	1				
15	70200-0000-00	UPPER FORK CLAMP	1				
16	70200-0000-00	LOWER FORK CLAMP	1				

2020

9

04-HANDLEBAR

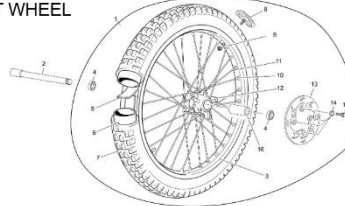


N°	REP. IM.	DESIGNATION	Qty	N°	REP. IM.	DESIGNATION	Qty
1	70201-0000-00	HANDLEBAR	1	17	70201-0000-00	HANDLEBAR	1
2	70201-0000-00	HANDLEBAR	1	18	70201-0000-00	HANDLEBAR	1
3	70201-0000-00	HANDLEBAR	1	19	70201-0000-00	HANDLEBAR	1
4	70201-0000-00	HANDLEBAR	1				
5	70201-0000-00	HANDLEBAR	1				
6	70201-0000-00	HANDLEBAR	1				
7	70201-0000-00	HANDLEBAR	1				
8	70201-0000-00	HANDLEBAR	1				
9	70201-0000-00	HANDLEBAR	1				
10	70201-0000-00	HANDLEBAR	1				
11	70201-0000-00	HANDLEBAR	1				
12	70201-0000-00	HANDLEBAR	1				
13	70201-0000-00	HANDLEBAR	1				
14	70201-0000-00	HANDLEBAR	1				
15	70201-0000-00	HANDLEBAR	1				
16	70201-0000-00	HANDLEBAR	1				

2020

10

05-FRONT WHEEL

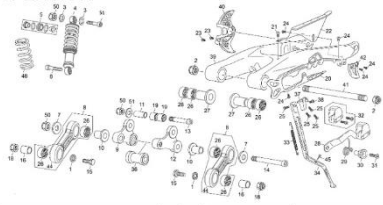


N°	REP. IM.	DESIGNATION	Qty	N°	REP. IM.	DESIGNATION	Qty
1	70201-0000-00	WHEEL	1	15	70201-0000-00	SPIDER WHEEL	4
2	70201-0000-00	WHEEL	1	16	70201-0000-00	SPIDER WHEEL	4
3	70201-0000-00	WHEEL	1				
4	70201-0000-00	WHEEL	1				
5	70201-0000-00	WHEEL	1				
6	70201-0000-00	WHEEL	1				
7	70201-0000-00	WHEEL	1				
8	70201-0000-00	WHEEL	1				
9	70201-0000-00	WHEEL	1				
10	70201-0000-00	WHEEL	1				
11	70201-0000-00	WHEEL	1				
12	70201-0000-00	WHEEL	1				
13	70201-0000-00	WHEEL	1				
14	70201-0000-00	WHEEL	1				
15	70201-0000-00	WHEEL	1				
16	70201-0000-00	WHEEL	1				

2020

11

06-REAR SUSPENSION

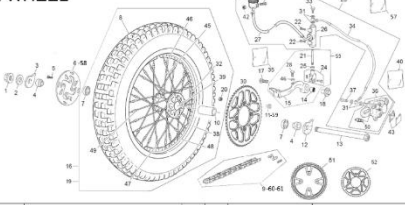


N°	REP. IM.	DESIGNATION	Qty	N°	REP. IM.	DESIGNATION	Qty
1	70201-0000-00	HANDSHOULDER	2	17	70201-0000-00	SHOCK END P. 1 1/2"	2
2	70201-0000-00	SHOCK END P. 1 1/4"	2	18	70201-0000-00	SHOCK END P. 1 1/8"	2
3	70201-0000-00	SHOCK END P. 1 1/2"	2	19	70201-0000-00	SHOCK END P. 1 3/8"	2
4	70201-0000-00	SHOCK END P. 1 1/8"	2	20	70201-0000-00	SHOCK END P. 1 1/4"	2
5	70201-0000-00	SHOCK END P. 1 3/8"	2	21	70201-0000-00	SHOCK END P. 1 1/2"	2
6	70201-0000-00	SHOCK END P. 1 1/4"	2	22	70201-0000-00	SHOCK END P. 1 1/8"	2
7	70201-0000-00	SHOCK END P. 1 1/2"	2	23	70201-0000-00	SHOCK END P. 1 3/8"	2
8	70201-0000-00	SHOCK END P. 1 1/8"	2	24	70201-0000-00	SHOCK END P. 1 1/4"	2
9	70201-0000-00	SHOCK END P. 1 3/8"	2	25	70201-0000-00	SHOCK END P. 1 1/2"	2
10	70201-0000-00	SHOCK END P. 1 1/4"	2	26	70201-0000-00	SHOCK END P. 1 1/8"	2
11	70201-0000-00	SHOCK END P. 1 1/2"	2	27	70201-0000-00	SHOCK END P. 1 3/8"	2
12	70201-0000-00	SHOCK END P. 1 1/8"	2	28	70201-0000-00	SHOCK END P. 1 1/4"	2
13	70201-0000-00	SHOCK END P. 1 3/8"	2	29	70201-0000-00	SHOCK END P. 1 1/2"	2
14	70201-0000-00	SHOCK END P. 1 1/4"	2	30	70201-0000-00	SHOCK END P. 1 1/8"	2
15	70201-0000-00	SHOCK END P. 1 1/2"	2	31	70201-0000-00	SHOCK END P. 1 3/8"	2
16	70201-0000-00	SHOCK END P. 1 1/8"	2	32	70201-0000-00	SHOCK END P. 1 1/4"	2

2020

11

07-REAR WHEEL

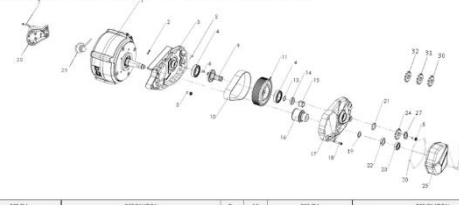


N°	REP. IM.	DESIGNATION	Qty	N°	REP. IM.	DESIGNATION	Qty
1	70201-0000-00	HANDLEBAR	1	27	70201-0000-00	SHOCK END P. 1 1/2"	2
2	70201-0000-00	HANDLEBAR	1	28	70201-0000-00	SHOCK END P. 1 1/8"	2
3	70201-0000-00	HANDLEBAR	1	29	70201-0000-00	SHOCK END P. 1 3/8"	2
4	70201-0000-00	HANDLEBAR	1	30	70201-0000-00	SHOCK END P. 1 1/4"	2
5	70201-0000-00	HANDLEBAR	1	31	70201-0000-00	SHOCK END P. 1 1/2"	2
6	70201-0000-00	HANDLEBAR	1	32	70201-0000-00	SHOCK END P. 1 1/8"	2
7	70201-0000-00	HANDLEBAR	1	33	70201-0000-00	SHOCK END P. 1 3/8"	2
8	70201-0000-00	HANDLEBAR	1	34	70201-0000-00	SHOCK END P. 1 1/4"	2
9	70201-0000-00	HANDLEBAR	1	35	70201-0000-00	SHOCK END P. 1 1/2"	2
10	70201-0000-00	HANDLEBAR	1	36	70201-0000-00	SHOCK END P. 1 1/8"	2
11	70201-0000-00	HANDLEBAR	1	37	70201-0000-00	SHOCK END P. 1 3/8"	2
12	70201-0000-00	HANDLEBAR	1	38	70201-0000-00	SHOCK END P. 1 1/4"	2
13	70201-0000-00	HANDLEBAR	1	39	70201-0000-00	SHOCK END P. 1 1/2"	2
14	70201-0000-00	HANDLEBAR	1	40	70201-0000-00	SHOCK END P. 1 1/8"	2
15	70201-0000-00	HANDLEBAR	1	41	70201-0000-00	SHOCK END P. 1 3/8"	2
16	70201-0000-00	HANDLEBAR	1	42	70201-0000-00	SHOCK END P. 1 1/4"	2
17	70201-0000-00	HANDLEBAR	1	43	70201-0000-00	SHOCK END P. 1 1/2"	2
18	70201-0000-00	HANDLEBAR	1	44	70201-0000-00	SHOCK END P. 1 1/8"	2
19	70201-0000-00	HANDLEBAR	1	45	70201-0000-00	SHOCK END P. 1 3/8"	2
20	70201-0000-00	HANDLEBAR	1	46	70201-0000-00	SHOCK END P. 1 1/4"	2
21	70201-0000-00	HANDLEBAR	1	47	70201-0000-00	SHOCK END P. 1 1/2"	2

2020

14

08- LITE/SPORT/ESCAPE TRANSMISSION



N°	REP. IM.	DESIGNATION	Qty	N°	REP. IM.	DESIGNATION	Qty
1	70201-0000-00	ENGINE	1	17	70201-0000-00	CHAIN TRANSMISSION	1
2	70201-0000-00	ENGINE	1	18	70201-0000-00	CHAIN TRANSMISSION	1
3	70201-0000-00	ENGINE	1	19	70201-0000-00	CHAIN TRANSMISSION	1
4	70201-0000-00	ENGINE	1	20	70201-0000-00	CHAIN TRANSMISSION	1
5	70201-0000-00	ENGINE	1	21	70201-0000-00	CHAIN TRANSMISSION	1
6	70201-0						

18-FLYWHEEL

N°	REF. BM.	DESIGNATION	Qty	N°	REF. BM.	DESIGNATION	Qty
1	TU020-00020-00-00	FLYWHEEL KIT	1				
2	TU020-00020-00-00	FLYWHEEL TOOL	1				

2020

28

19-ON ROAD KIT

N°	REF. BM.	DESIGNATION	Qty	N°	REF. BM.	DESIGNATION	Qty
1	TU020-00020-00-00	GENERAL ON ROAD KIT	1	17	TU020-00020-00-00	WHEEL SET FRONT KIT	1
2	TU020-00020-00-00	MOTOR	1	18	TU020-00020-00-00	WHEEL SET REAR KIT	1
3	TU020-00020-00-00	SPAREWHEEL SUPPLY KIT	1	19	TU020-00020-00-00	OPTICAL LIGHT KIT	1
4	TU020-00020-00-00	SPAREWHEEL	1	20	TU020-00020-00-00	CONSOLE LIGHT	1
5	TU020-00020-00-00	FRAM KIT	1	21	TU020-00020-00-00	FRONT LIGHT	1
6	TU020-00020-00-00	FRAM KIT (LONG SET)	1	22	TU020-00020-00-00	FRAM ELECTRICAL WIRING	1
7	TU020-00020-00-00	CONSOLE LIGHT	1	23	TU020-00020-00-00	FRAM ELECTRICAL WIRING	1
8	TU020-00020-00-00	FRAM KIT (SHORT SET)	1	24	TU020-00020-00-00	ELECTRICAL WIRING	1
9	TU020-00020-00-00	FRONT LIGHT SUPPORT	1	25	TU020-00020-00-00	FRONT ELECTRICAL WIRING	1
10	TU020-00020-00-00	FRONT WHEEL SUPPORT	1	26	TU020-00020-00-00	FRONT ELECTRICAL WIRING	1
11	TU020-00020-00-00	FRONT WHEEL SUPPORT BRACKET	1	27	TU020-00020-00-00	FRONT ELECTRICAL WIRING	1
12	TU020-00020-00-00	FRONT WHEEL SUPPORT BRACKET	1	28	TU020-00020-00-00	FRONT ELECTRICAL WIRING	1
13	TU020-00020-00-00	FRONT WHEEL SUPPORT BRACKET	1	29	TU020-00020-00-00	FRONT ELECTRICAL WIRING	1
14	TU020-00020-00-00	FRONT WHEEL SUPPORT BRACKET	1	30	TU020-00020-00-00	FRONT ELECTRICAL WIRING	1
15	TU020-00020-00-00	FRONT WHEEL SUPPORT BRACKET	1	31	TU020-00020-00-00	FRONT ELECTRICAL WIRING	1
16	TU020-00020-00-00	FRONT WHEEL SUPPORT BRACKET	1	32	TU020-00020-00-00	FRONT ELECTRICAL WIRING	1
17	TU020-00020-00-00	FRONT WHEEL SUPPORT BRACKET	1	33	TU020-00020-00-00	FRONT ELECTRICAL WIRING	1

2020

29

20-OFF ROAD FRONT KIT

N°	REF. BM.	DESIGNATION	Qty	N°	REF. BM.	DESIGNATION	Qty
1	TU020-00020-00-00	GENERAL OFF ROAD FRONT KIT	1				
2	TU020-00020-00-00	MOTOR	1				
3	TU020-00020-00-00	FRONT WHEEL SUPPORT	1				
4	TU020-00020-00-00	FRONT WHEEL SUPPORT BRACKET	1				
5	TU020-00020-00-00	FRONT WHEEL SUPPORT BRACKET	1				
6	TU020-00020-00-00	FRONT WHEEL SUPPORT BRACKET	1				
7	TU020-00020-00-00	FRONT WHEEL SUPPORT BRACKET	1				
8	TU020-00020-00-00	FRONT WHEEL SUPPORT BRACKET	1				
9	TU020-00020-00-00	FRONT WHEEL SUPPORT BRACKET	1				
10	TU020-00020-00-00	FRONT WHEEL SUPPORT BRACKET	1				

2020

30

21-OFF ROAD REAR KIT

N°	REF. BM.	DESIGNATION	Qty	N°	REF. BM.	DESIGNATION	Qty
1	TU020-00020-00-00	GENERAL OFF ROAD REAR KIT	1				
2	TU020-00020-00-00	MOTOR	1				
3	TU020-00020-00-00	FRONT WHEEL SUPPORT	1				
4	TU020-00020-00-00	FRAM KIT SUPPORT	1				

2020

31

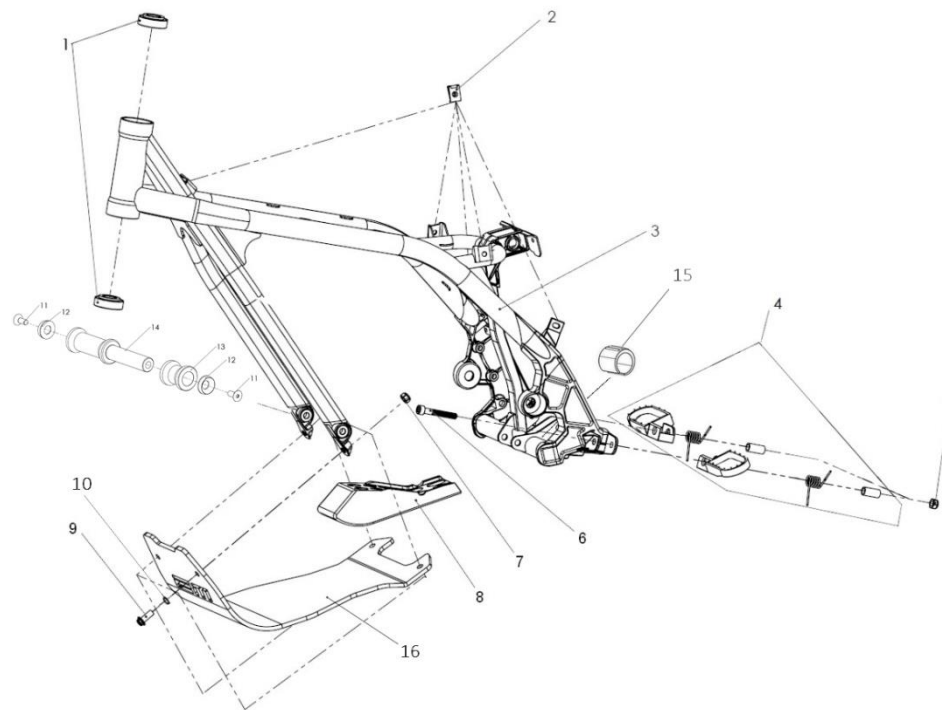
22-OFF ROAD COMPLETE KIT

N°	REF. BM.	DESIGNATION	Qty	N°	REF. BM.	DESIGNATION	Qty
1	TU020-00020-00-00	GENERAL OFF ROAD COMPLETE KIT	1				
2	TU020-00020-00-00	MOTOR	1				
3	TU020-00020-00-00	FRONT WHEEL SUPPORT	1				
4	TU020-00020-00-00	FRONT WHEEL SUPPORT BRACKET	1				
5	TU020-00020-00-00	FRONT WHEEL SUPPORT BRACKET	1				
6	TU020-00020-00-00	FRONT WHEEL SUPPORT BRACKET	1				
7	TU020-00020-00-00	FRONT WHEEL SUPPORT BRACKET	1				
8	TU020-00020-00-00	FRONT WHEEL SUPPORT BRACKET	1				
9	TU020-00020-00-00	FRONT WHEEL SUPPORT BRACKET	1				
10	TU020-00020-00-00	FRONT WHEEL SUPPORT BRACKET	1				
11	TU020-00020-00-00	FRONT WHEEL SUPPORT BRACKET	1				
12	TU020-00020-00-00	FRONT WHEEL SUPPORT BRACKET	1				
13	TU020-00020-00-00	FRONT WHEEL SUPPORT BRACKET	1				

2020

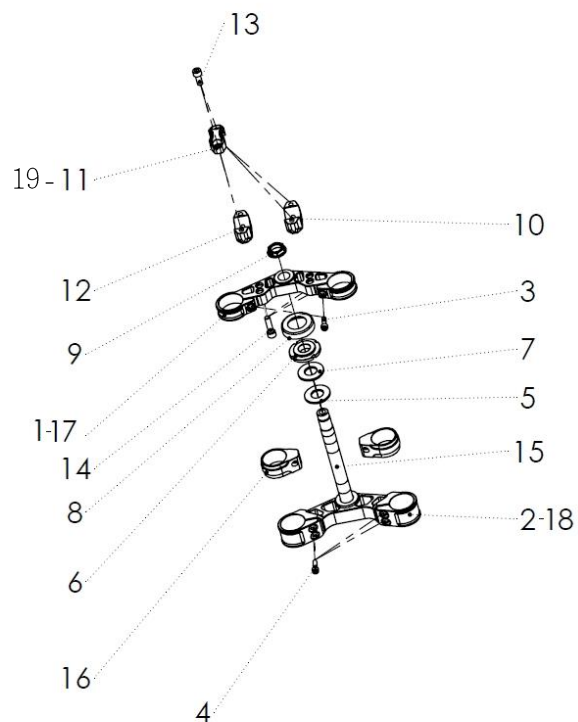
32

01 - FRAME



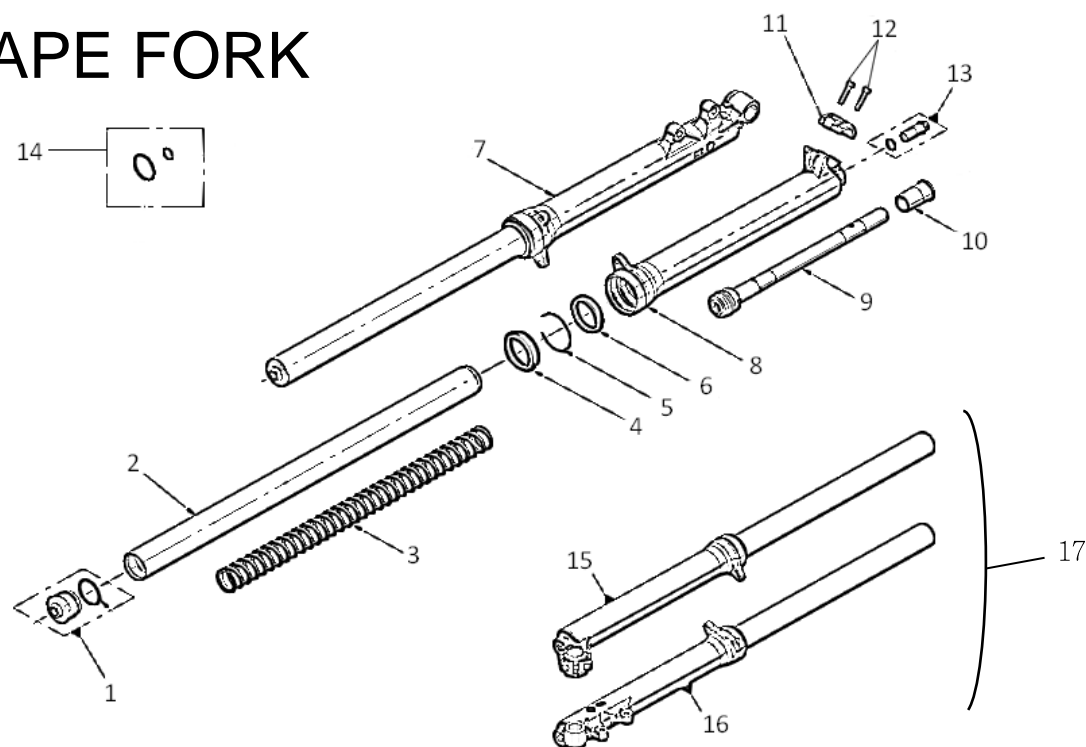
N°	REF.EM	DESIGNATION	Qty	N°	REF.EM	DESIGNATION	Qty
1	TL01J-20508-00-00.....	STEERING BEARING	2				
2	OCE06-16024-09-ZI.....	FAST NUT M6.....	5				
3	TC010-10101-00-00.....	FRAME.....	1				
4	TL020-10105-00-00.....	SET FOOTPEG.....	1				
5	OEC08-08000-00-00.....	M8 NYLSTOP NUT.....	2				
6	OV010-08045-01-00.....	SCREW CHC SHORT HEAD M8x45	2				
7	OEC08-08000-00-00.....	NUT NYLSTOP M8.....	4				
8	TL020-60303-00-00.....	RUBBER ENGINE PROTECTOR.....	1				
9	OV010-08016-00-00.....	SCREW CHC M8x20.....	4				
10	OR012-08018-00-00.....	CONTACT M8 WASHER.....	4				
11	OV020-08035-00-00.....	SCREW FHC M8x35.....	2				
12	TC010-50139-05-00.....	SPECIAL WASHER	2				
13	TC010-50139-06-00.....	M8 SPACER.....	2				
14	TC010-50139-04-00.....	AXIS	1				
15	TL020-60344-00-00.....	FRAME PLASTIC PROTECTOR.....	1				
16	TC01L-10104-00-00.....	BASH PLATE.....	1				

02 - STEERING



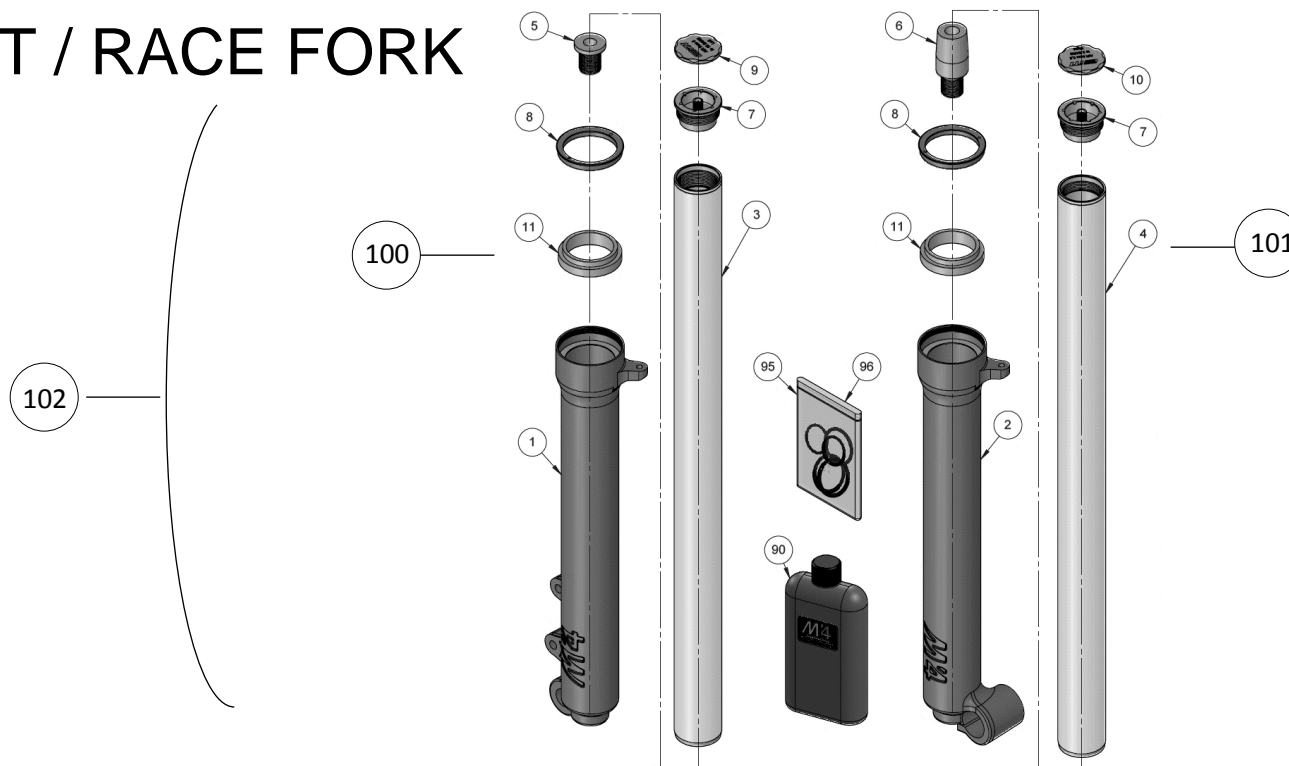
N°	REF.EM	DESIGNATION	Qty	N°	REF.EM	DESIGNATION	Qty
1	TC01L-20502-00-00.....	UPPER FORK CLAMP SPORT/RACE.....	1	17	TL02O-20502-00-00.....	UPPER FORK CLAMP LITE/ ESCAPE	1
2	TC01L-20501-00-00.....	LOWER FORK CLAMP SPORT/RACE.....	1	18	TL02O-20502-00-00.....	LOWER FORK CLAMP LITE/ESCAPE	1
3, 4	TL01K-20505-00-00.....	SCREW CHC 6 X 20.....	6	19	TL02O-20510-02-00.....	UPPER HANDLEBAR CLAMP LITE/ESCAPE	2
5, 7	TL01J-20504-00-00.....	STEERING WASHER.....	2				
6	TL01J-20505-00-00.....	STEERING TOP BEARING NUT.....	1				
8	TL01J-20506-00-00.....	DUST COVER STEERING.....	1				
9	TL01J-20507-00-00.....	STEERING AXLE TOP NUT.....	1				
10	TC01L-20510-01-00.....	HANDLEBAR CLAMP LEFT.....	1				
11	TC01L-20510-02-00.....	UPPER HANDLEBAR CLAMP SPORT/RACE	2				
12	TC01L-20510-01-01.....	HANDLEBAR CLAMP RIGHT.....	1				
13	OV010-08020-00-00.....	SCREW CHC 8 X 20.....	4				
14	OV010-08030-00-00.....	SCREW CHC 8 X 30.....	4				
15	TC01L-20503-00-00.....	AXLE STEERING.....	1				
16	TL02O-60306-00-00.....	STEERING STOP.....	2				

03-1 - LITE / ESCAPE FORK



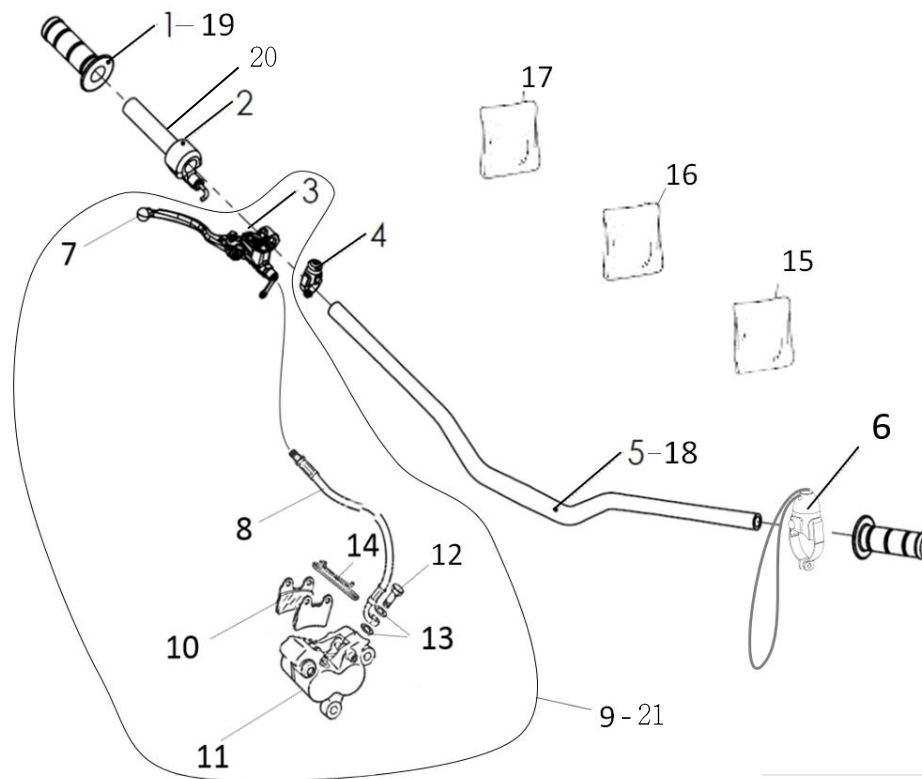
N°	REF.EM	DESIGNATION	Qty	N°	REF.EM	DESIGNATION	Qty
1	TL02N-20101-14-00.....	GROP TOP CAP PRELOAD SPRING.....	2	15	TL02N -20101-02-00.....	COMPLETE LEFT FORK TUBE.....	1
2	TL02N -20101-07-00.....	RIGHT / LEFT FORK TUBE.....	2	16	TL02N -20101-03-00.....	COMPLETE RIGHT FORK TUBE.....	1
3	TL02N -20101-08-00.....	FORK SPRING.....	2	17	TL02N -20101-00-00.....	COMPLETE FORK	1
4	TL02N -20101-15-00.....	DUST SEAL.....	2				
5	TL02N -20101-19-00.....	OIL SEAL CIRLPLIP.....	2				
6	TL02N -20101-17-00.....	OIL SEAL.....	2				
7	TL02N -20101-04-00.....	LEFT LEG.....	1				
8	TL02N -20101-50-00.....	RIGHT LEG.....	1				
9	TL02N -20101-31-00.....	HYDRAULIC CARTRIDGE.....	2				
10	TL02N -20101-18-00.....	CONE LIMIT.....	2				
11	TL02N -20101-42-00.....	LOWER CLAMP Ø25	1				
12	OV010-06025-00-00.....	SCREW TCCE M6X25 ZINC. WHITE.....	2				
13	TL02N -20101-29-00.....	LOCK SCREW PUMP + WASHER	2				
14	TL02N -20101-22-00.....	GROUP RINGS SEAL.....	2				

03-2 - SPORT / RACE FORK



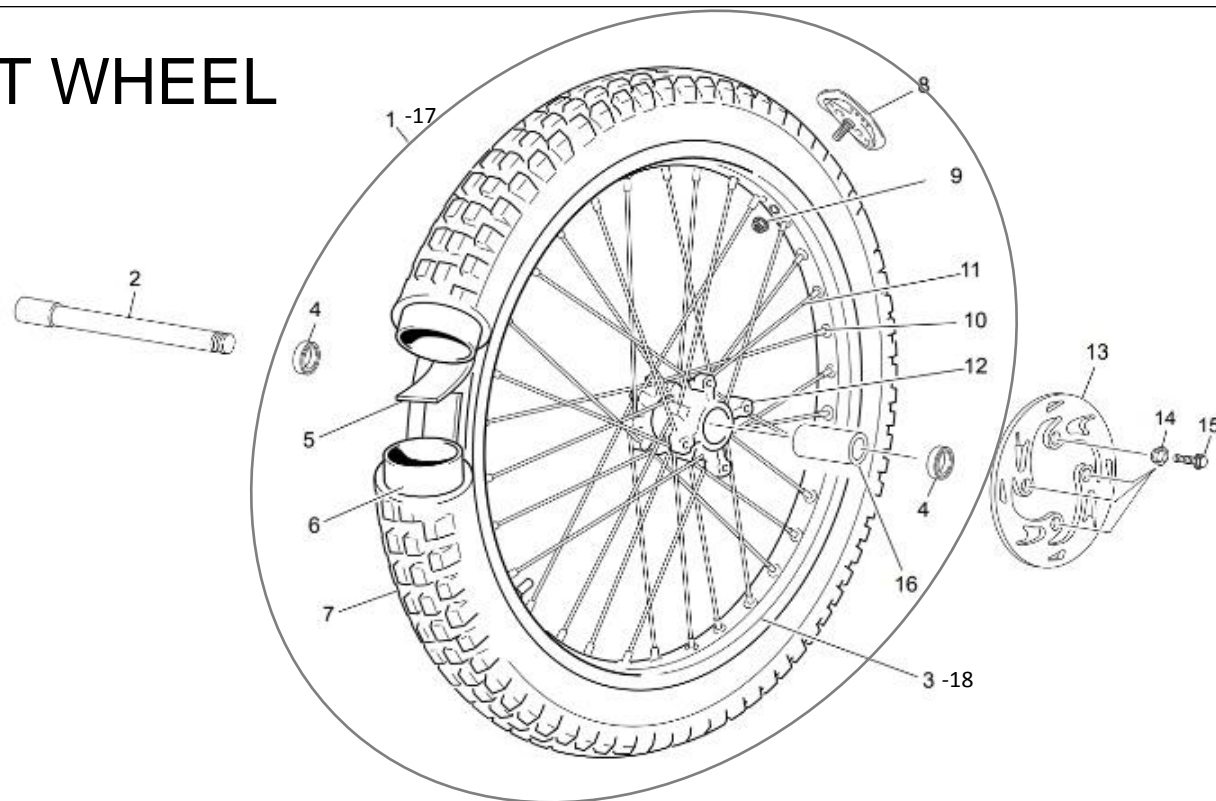
N°	REF.EM	DESIGNATION	Qty	N°	REF.EM	DESIGNATION	Qty
1	TC010-20101-04-00.....	LEFT LEG.....	1	101	TC010-20101-03-00.....	COMPLETE RIGHT FORK TUBE.....	1
2	TC010-20101-05-00.....	RIGHT LEG.....	1	102	TC010-20101-00-00.....	COMPLETE FORK.....	1
3	TC010-20101-06-00.....	LEFT FORK TUBE.....	1				
4	TC010-20101-07-00.....	RIGHT FORK TUBE.....	1				
5	TC010-20101-23-00.....	LOWER SCREW ADJUSTMENT.....	1				
6	TC010-20101-31-00.....	HYDRAULIC BRAKE	1				
7	TC010-20101-13-00.....	UPPER PART WITH AIR INPUT.....	1				
8	TC010-20101-16-00.....	SEAL FIXING PART.....	2				
9	TC010-20101-14-01.....	LEFT UPPER CAP.....	1				
10	TC010-20101-14-00.....	RIGHT UPPER CAP.....	1				
11	TC010-20101-17-00.....	SEAL 52x39x7,5.....	2				
90	TC010-20101-27-00.....	OIL.....	1				
95	TC010-20101-22-01.....	TORIC KIT LEFT.....	1				
96	TC010-20101-22-02.....	TORIC KIT RIGHT.....	1				
100	TC010-20101-02-00.....	COMPLETE LEFT FORK TUBE.....	1				

04 - HANDLEBAR



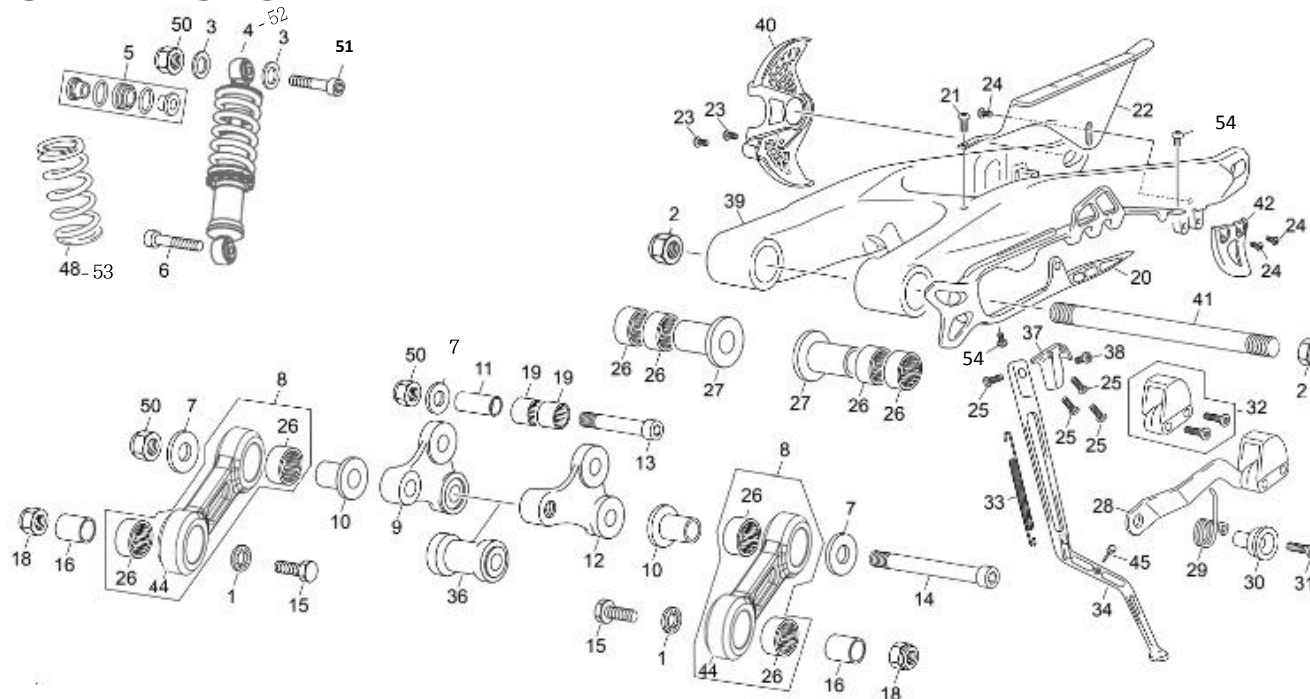
N°	REF.EM	DESIGNATION	Qty	N°	REF.EM	DESIGNATION	Qty
1	TL01J-60405-00-00.....	GRIPS SET.....	1	16	TL01J-20221-00-00.....	FRONT CALIPER REPAIR KIT	1
2	TL01N-60401-00-00.....	THROTTLE	1	17	TL01M-20225-00-00.....	FRONT BRAKE GROUP REPAIR KIT.....	1
3	TL01M-20210-00-00.....	FRONT BRAKE MASTER CYLINDER.....	1	18	TL01N-20511-00-00.....	SPORT/RACE HANDLEBAR	1
4	TL01N-60407-00-00.....	PUSH MAP BUTTON.....	1	19	TC010-60405-00-00.....	GRIPS SET RACE.....	1
5	TL01L-20511-00-00.....	HANDLEBAR.....	1	20	TL020-60401-01-00.....	SPECIAL THROTTLE WASHER.....	1
6	TL01N-60101-00-00.....	CIRCUIT BRAKER MAGNET.....	1	21	TC010-20200-00-00.....	COMPLETE FRONT BRAKE RACE.....	1
7	TL01M-20211-00-00.....	FRONT BRAKE LEVER.....	1				
8	TL01M-20212-00-00.....	FRONT BRAKE HOSE.....	1				
9	TL01O-20200-00-00.....	COMPLETE FRONT BRAKE	1				
10	TL01J-20205-00-00.....	FRONT PAD KIT.....	1				
11	TL01J-20217-00-00.....	FRONT CALIPER	1				
13	OR01-08021-00-00.....	WASHER SEAL M8.....	2				
12	TL01J-20216-00-00.....	BANDJO WITH CAP.....	1				
14	TL01J-20203-00-00.....	PAD PIN CLIP	1				
15	TL01J-20220-00-00.....	FRONT BRAKE PUMP REPAIR KIT	1				

05 - FRONT WHEEL



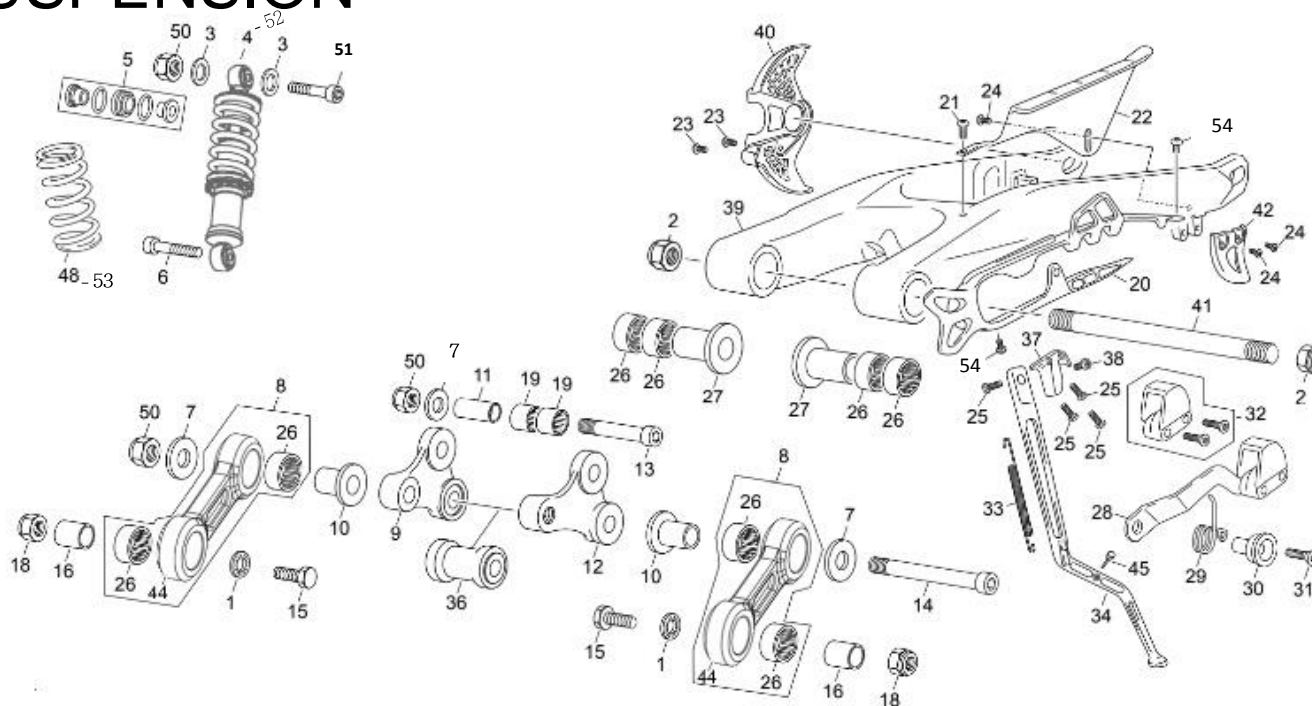
N°	REF.EM	DESIGNATION	Qty	N°	REF.EM	DESIGNATION	Qty
1	TL01N-20301-00-00.....	COMPLETE FRONT WHEEL SPORT / RACE.....	1	15	0V150-06020-00-00.....	SPECIAL HEXAGONAL SCREW M 6 X 20.....	4
2	TL01K-20404-00-00.....	FRONT WHEEL AXLE.....	1	16	TL01J-20316-00-00.....	FRONT HUB SPACER.....	1
3	TL01N-20311-00-01.....	COMPLETE FRONT WHEEL SPORT/RACE.....	1	17	TL01L-20301-00-00.....	COMPLETE FRONT WHEEL LITE / ESCAPE.....	1
4	ORBR1-06004-01-00.....	6004 2RS HUB BEARING.....	2	18	TL01L-20311-00-01.....	COMPLETE FRONT WHEEL WITHOUT TYRE LITE/ESCAPE.....	1
5	TL01J-20322-00-00.....	RUBBER RIM PROTECTOR.....	1				
6	TL01J-20323-00-00.....	21" TUBE.....	1				
7	TL02O-20312-00-00.....	FRONT TYRE	1				
8	TL01J-20321-00-00.....	GRIPSTER.....	1				
9	OEC08-08000-00-00.....	NUT NYLSTOP M 8.....	1				
10	TL01J-20313-00-00.....	FRONT SPOKE NIPPLE.....	32				
11	TL01J-20314-00-00.....	BLACK FRONT SPOCKE.....	32				
12	TL01J-20310-00-00.....	FRONT HUB ASSY.....	1				
13	TL02O-20222-00-00.....	FRONT BRAKE DISC	1				
14	TL01J-20223-00-00.....	FRONT DISC SPACER	4				

06 - REAR SUSPENSION



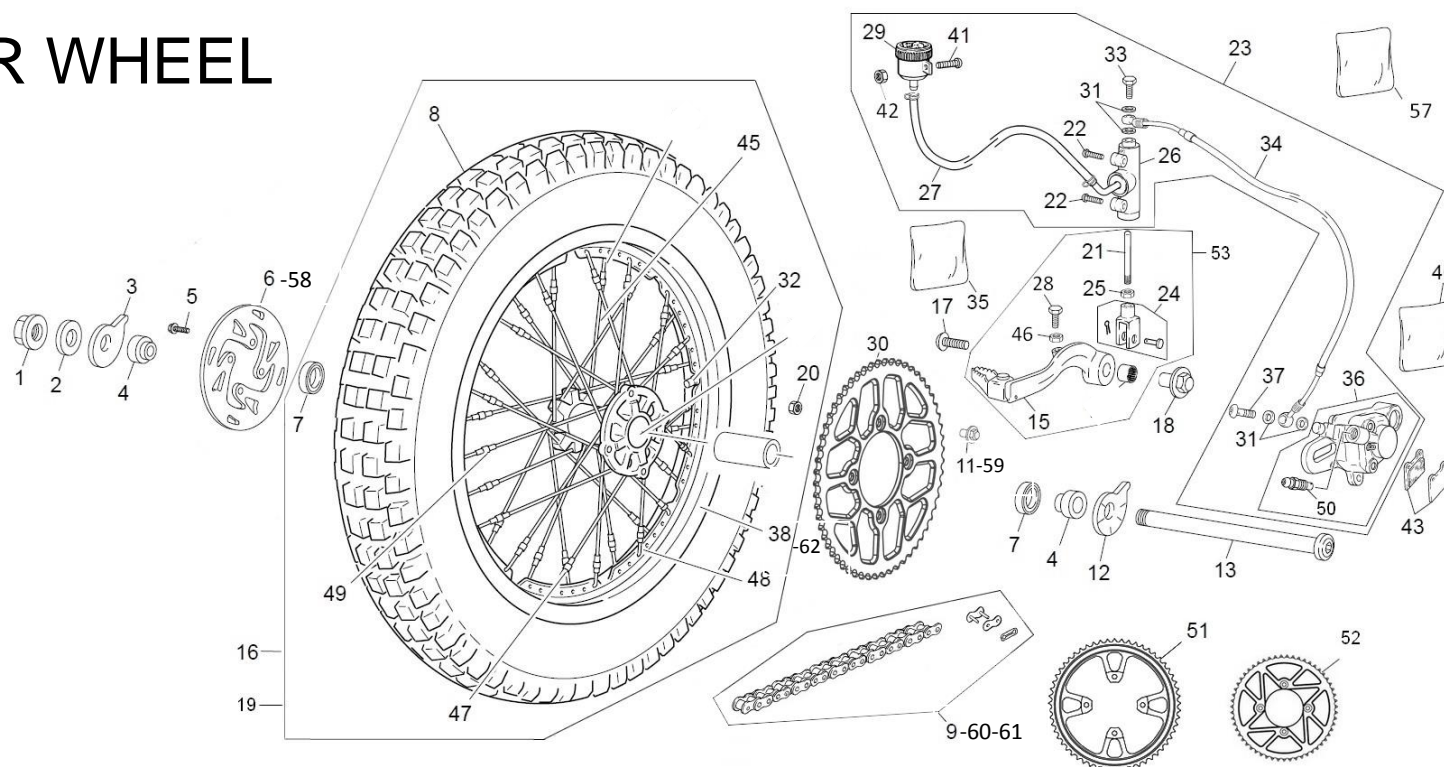
N°	REF.EM	DESIGNATION	Qty	N°	REF.EM	DESIGNATION	Qty
1	OR002-08013-02-00-ZI.....	WASHER AET 8.....	2	15	OV100-08035-00-00.....	HEGAGONAL SCREW 8 X 35.....	2
2	TL01J-30103-00-00.....	SWINGARM NUT 14.....	2	16	TL01J-30105-00-00.....	SUSPENSION LINK SPACER.....	2
3	OR001-10020-02-00.....	WASHER M10.....	2	18	OEC08-08000-00-00.....	NUT NYLSTOP M8.....	2
4	TL02O-30401-00-00.....	REAR SHOCK LITE/SPORT/RACE.....	1	19	TL01J-30106-00-00.....	NEEDLE BEARING 16 X 20 X 2RS.....	2
5	TL01J-30411-00-00.....	SUPERIOR BALL AND SOCKET SEAL.....	1	20	TL01J-30140-00-00.....	CHAIN GUIDE.....	1
6	OV010-10042-04-00.....	AXLE 10 X 46.....	1	21	OV040-05016-00-00.....	SCREW BHC 5 X 16.....	1
7	OR001-10030-02-00.....	WASHER 10 X 30.....	2	22	TL01J-30141-00-00.....	CHAIN PROTECTOR.....	1
8	TC02O-30111-00-00.....	REAR SUSPENSION LINK ASSY.....	2	23	OV040-06010-00-00.....	SCREW BHC 6 X 10.....	2
9	TC02O-30108-02-00.....	REAR SUSPENSION DELTA LINK LEFT.....	1	24	OV040-05010-00-00.....	SCREW BHC 5 X 10.....	2
10	TC01O-30109-00-00.....	SWING ARM SPACER.....	2	25	OV040-08012-00-00.....	SCREW BHC 8 X 12.....	4
11	TL01J-30107-00-00.....	SUSPENSION SPACER.....	1	26	ORARN-HK1516-2R-00.....	NEEDLE BEARING 15X21X16 X 2RS.....	8
12	TC02O-30108-01-00.....	REAR SUSPENSION DELTA LINK RIGHT.....	1	27	TL01J-30105-00-00.....	SWINGARM SPACER.....	2
13	OV010-10072-04-00.....	CHC SCREW 10 x 72.....	1	28	TL01J-30130-00-00.....	CHAIN TENSIONER.....	1
14	OV010-10120-04-00.....	CHC SCREW 10 X 120.....	1	29	TL01J-30132-00-00.....	CHAIN TENSIONER SPRING.....	1

06 - REAR SUSPENSION



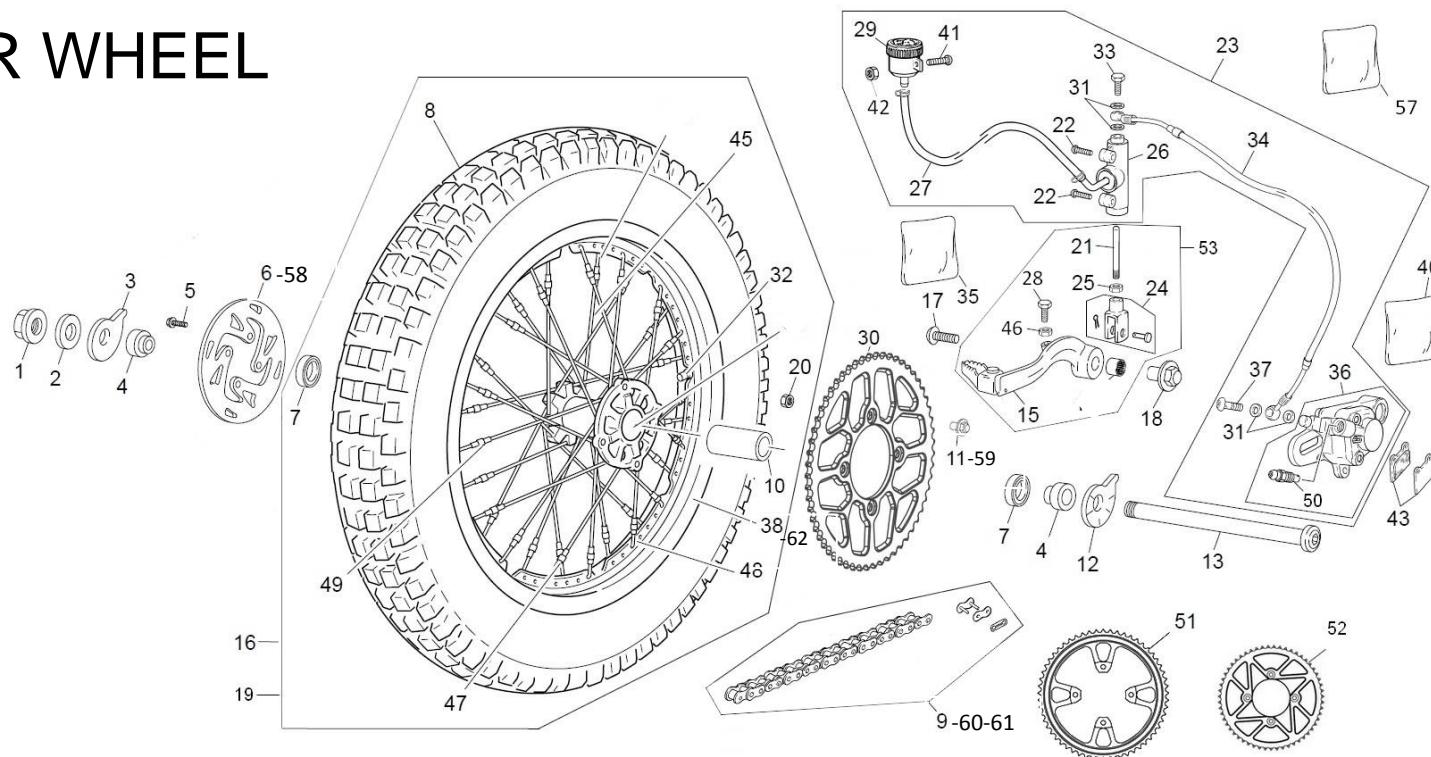
N°	REF.EM	DESIGNATION	Qty	N°	REF.EM	DESIGNATION	Qty
30	TL01J-30131-00-00.....	CHAIN TENSIONER SPACER	1	45	TL01J-30144-00-00.....	STAND RUBBER.....	1
31	OV020-08035-00-00.....	SCREW FHC 8 X 35.....	1	48	TL02O-30402-00-00.....	MEDIUM REAR SHOCK SPRING.....	1
32	TL01J-30130-02-ASM.....	CHAIN TENSIONER RUBBER.....	1	50	OEC08-10000-00-00.....	NUT NYLSTOP M10.....	3
33	TL01J-30123-00-00.....	LATERAL STAND SPRING.....	1	51	TL02O-30413-00-00.....	SHOCK ABSORBER SPECIAL SCREW M10x 45.....	1
34	TL01J-30121-00-00.....	LATERAL STAND.....	1	52	RL03N-30401-00-00.....	REAR SHOCK ESCAPE.....	1
36	TC02O-30108-03-00.....	DELTA LINK SPACER.....	1	53	RL03N-30402-00-00.....	HARD REAR SHOCK SPRING.....	1
37	TL01J-30120-00-00.....	STAND HOLDER.....	1				
38	TL01J-30122-00-00.....	SPECIAL STAND SCREW.....	1				
39	TL01J-30101-00-00.....	SWINGARM.....	1				
40	TL01J-30142-00-00.....	BRAKE DISC PROTECTOR.....	1				
41	TL01J-30102-00-00.....	SWING ARM AXLE.....	1				
42	TL01J-30143-00-00.....	SPROCKET PROTECTOR.....	1				
44	TC02O-30111-00-00.....	REAR SUSPENSION LINK.....	2				

07 - REAR WHEEL



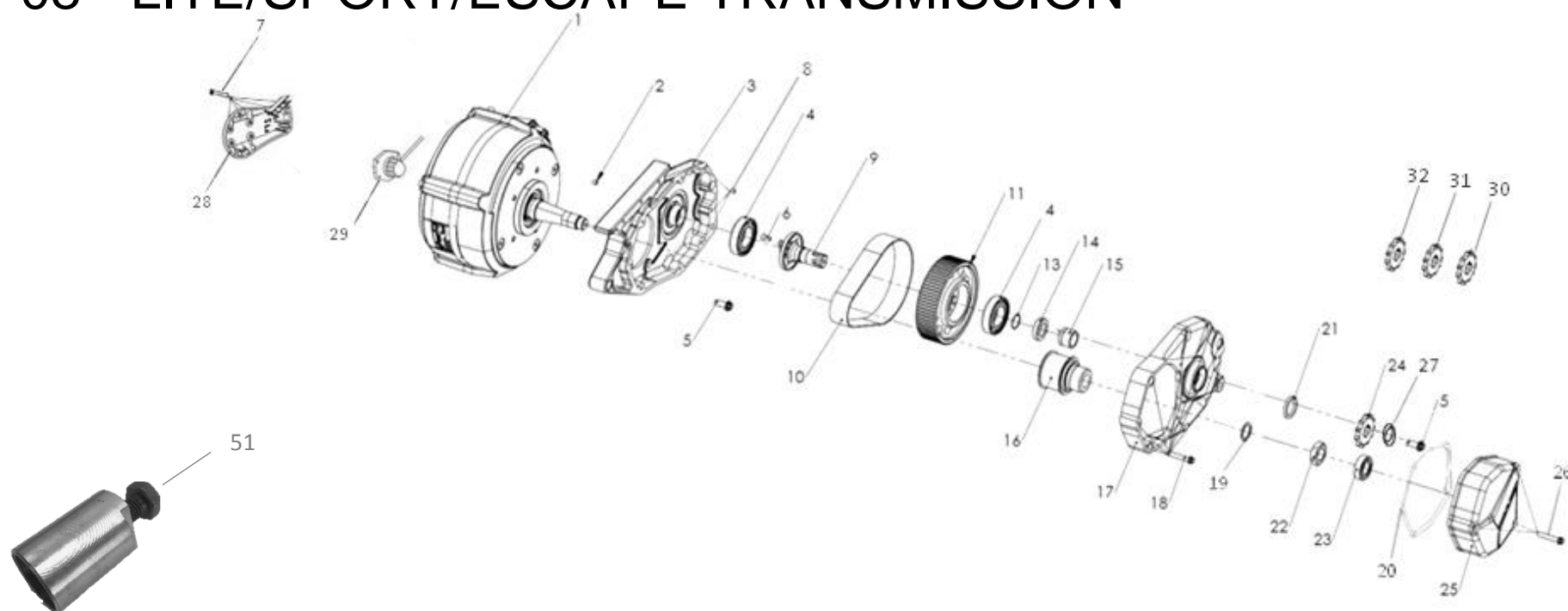
N°	REF.EM	DESIGNATION	Qty	N°	REF.EM	DESIGNATION	Qty
1	TL01J-30303-00-00.....	M17 NUT.....	1	15	TC010-30201-00-00.....	REAR BRAKE PEDAL.....	1
2	OR001-16030-03-00.....	WASHER M16.....	1	16	TL01N-30301-00-00.....	REAR TRIAL WHEEL ASSY RACE/SPORT.....	1
3	TL01J-30305-00-00.....	RIGHT CHAIN CAM ADJUSTER.....	1	17	OV010-08020-01-00.....	SCREW CHC 8X20 SHORT HEAD.....	2
4	TL01J-30306-00-00.....	REAR WHELL SPACER.....	2	18	TL020-30201-01-02.....	BRAKE PEDAL SPACER.....	1
5	OV150-06020-00-00.....	SCREW TH E 6 X 20.....	4	19	TL01L-30301-00-00.....	REAR TRIAL WHEEL ASSY ESCAPE/LITE.....	1
6	TL020-30203-00-00.....	REAR BRAKE TRIAL DISC.....	1	20	OEC08-08000-00-00.....	NUT NYLSTOP M8.....	4
7	ORBR1-06004-01-00.....	6004 2RS HUB BEARING.....	2	21	TL01J-30221-00-00.....	REAR BRAKE ROD.....	1
8	TL020-30312-00-00.....	REAR TRIAL TYRE MICHELIN.....	1	22	OV040-06016-00-00.....	SCREW BHC 6 X 20.....	2
9	OCHA4-28128-00-05.....	LOW FRICTION CHAIN SPORT / RACE.....	1	23	TL01J-30200-00-00.....	COMPLETE REAR BRAKE.....	1
11	OV040-08022-00-00.....	SCREW BHC M8X22 SPORT / RACE.....	4	24	TL01J-30220-00-00.....	BRAKE PEDAL CLEVIS.....	1
12	TL01J-30304-00-00.....	LEFT CHAIN CAM ADJUSTER.....	1	25	OEC02-06000-00-00.....	STANDARD NUT M6.....	1
13	TL01J-30302-00-00.....	REAR WHEEL AXLE.....	1	26	TL01J-30202-00-00.....	REAR BRAKE PUMP.....	1
				27	TL01J-30210-00-00.....	FLUID TANK PIPE.....	1
				29	TL01J-30209-00-00.....	BRAKE FLUID TANK.....	1

07 - REAR WHEEL



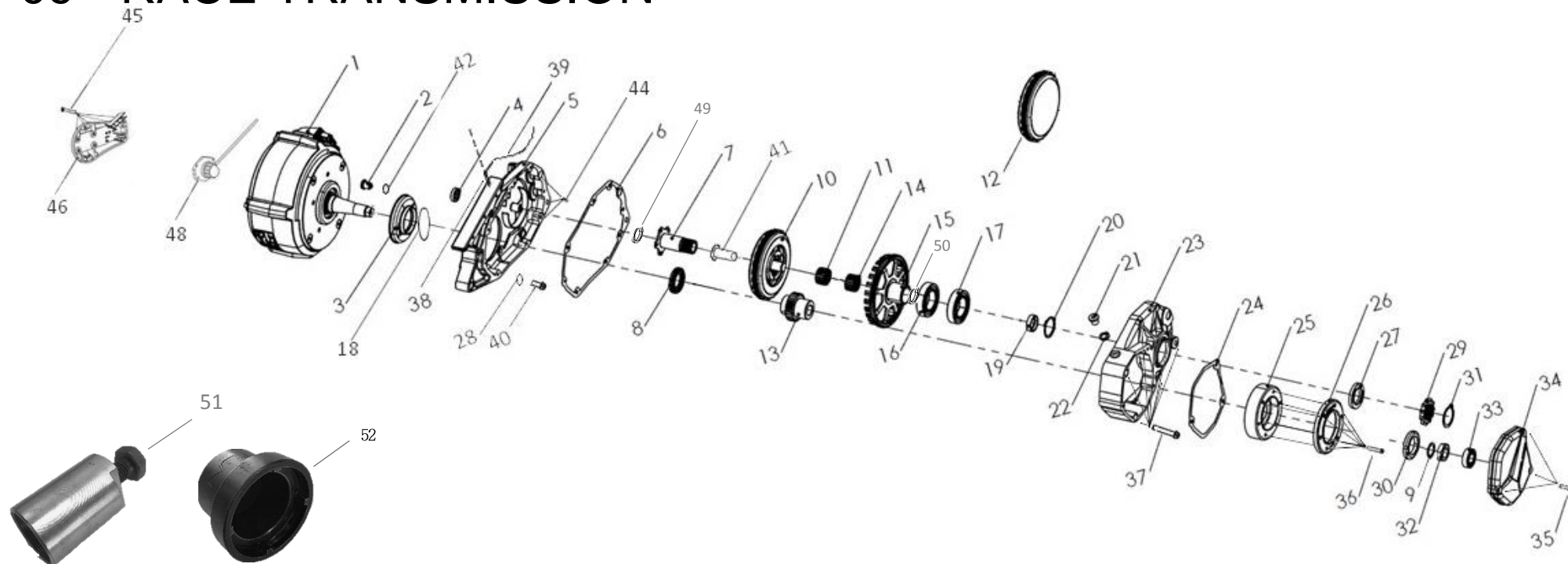
N°	REF.EM	DESIGNATION	Qty	N°	REF.EM	DESIGNATION	Qty
30	OCR30-00428-57-00.....	SPROCKET 57 T R.....	1	47	TL01J-30315-00-00.....	REAR WHEEL SPROCKET SPOKE.....	16
31	OJA00-10014-1E-00.....	WASHER 10 X 14 X 1,5.....	4	48	TL01J-30314-00-00.....	REAR WHEEL SHORT SPOKE.....	32
32	TL01J-30320-00-00.....	TUBELESS VALVE.....	1	49	TL01J-30313-00-00.....	REAR SPOKE NIPPLE.....	32
33	OV160-10021-00-00.....	SCREW BHC PRESSURE HOSE.....	1	50	TL01J-30207-00-00.....	REAR BLEEDER CAP ASSY.....	1
34	TL01J-30208-00-00.....	REAR BRAKE HOSE.....	1	51	OCR80-00428-57-00.....	SPROCKET 57T LITE.....	1
35	TL01J-30212-00-00.....	REAR BRAKE PUMP KIT REPAIR.....	1	52	OCR00-08042-49-00.....	SPROCKET 49T ESCAPE.....	1
36	TL01J-30204-00-00.....	REAR BRAKE CALIPER.....	1	53	TC010-30201-00-ASM.....	COMPLETE BRAKE PEDAL. WITH CLEVIS.....	1
37	OV140-10021-00-00.....	SCREW TH PRESSURE HOSE.....	1	57	TL01J-30214-00-00.....	REAR PAD KIT.....	1
38	TL01N-30311-00-12.....	REAR WHEEL SPORT /RACE WITH TYRE.....	1	58	TC020-30203-00-00.....	FIM APPROVED REAR DISC.....	1
40	TL01J-30213-00-00.....	REAR CALIPER REPAIR KIT.....	1	59	OV020-08025-00-00.....	M8 FHC M8X25 SCREW (LITE/ESCAPE).....	4
41	OV100-06016-00-00.....	SCREW BHC BASE M5X12.....	1	60	OCHA4-28128-00-02.....	REINFORCED CHAIN LITE.....	1
42	OEC08-05000-00-00.....	NUT NYLSTOP M5.....	1	61	OCHA4-28124-00-02.....	REINFORCED CHAIN ESCAPE.....	1
43	TL01J-30205-00-00.....	PAIR REAR BRAKE PAD	1	62	TL01L-30311-00-01.....	REAR WHEEL LITE/ESCAPE WITHOUT TYRE.....	1
45	TL01J-30316-00-00.....	REAR WHEEL DISC SPOKE	16				

08 - LITE/SPORT/ESCAPE TRANSMISSION



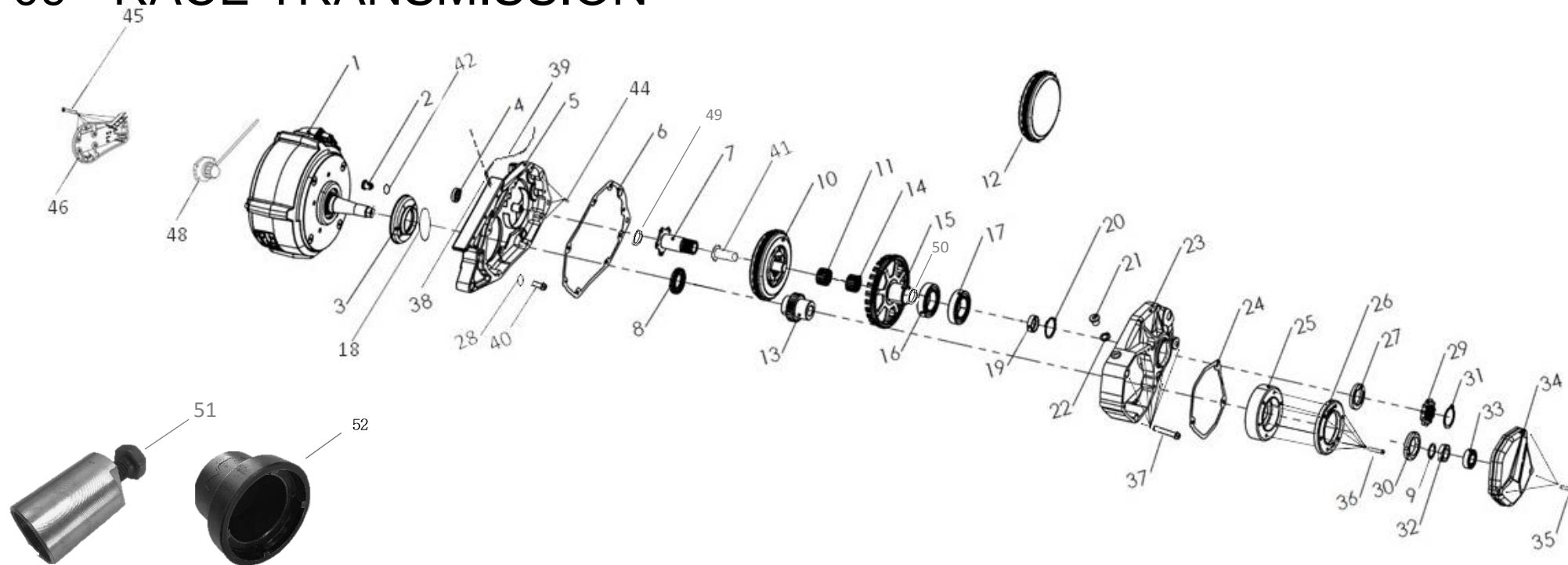
N°	REF.EM	DESIGNATION	Qty	N°	REF.EM	DESIGNATION	Qty
1	TC010-40100-01-00.....	ENGINE.....	1	18	OV150-06035-00-00.....	SCREW THE M6x35.....	7
2	OV009-05006-00-00.....	HEAD LESS SCREW M5x6 Hex.....	2	19	OR001-21037-00-00.....	WASHER M20.....	1
3	TL020-50101-01-00.....	RIGHT MAIN CARTER.....	1	20	TC010-50149-00-00.....	INERTIA GASKET	1
4	ORBR1-06006-01-00.....	BEARING 6006.....	2	21	OSP25-03204-00-00.....	OIL SEAL 25x32x4.....	1
5	OV150-08020-00-00.....	SCREW THE M8X20.....	4	22	OEC03-20009-00-00.....	NUT M20.....	1
6	OV020-05012-00-00.....	SCREW FHC M5X12.....	5	23	ORBR1-06003-01-00.....	BEARING 6003 2RS.....	1
7	OV191-04015-00-00.....	SCREW M4x15.....	6	24	OP316-20428-11-10.....	11T SPROCKET.....	1
8	OPC-04010-00-00.....	PIN CENTERING.....	3	25	TL020-50102-01-00.....	INERTIA CARTER.....	1
9	TL020-50111-00-00.....	SECONDARY SHAFT	1	26	OV150-06045-00-00.....	SCREW THE M6X45.....	3
10	TL020-50128-00-00.....	BELT 5M GT3 -475-29mm.....	1	27	OR012-08018-00-00.....	WASHER CONTACT M8X18.....	1
11	TL020-50120-00-00.....	DRIVEN PULLEY 5M 78-L31.....	1	28	TC010-40113-00-00.....	MOTOR SENSOR COVER.....	1
13	OJT00-01921-01-00.....	O-RING 19X21X1.....	1	29	TC010-40100-00-02.....	SENSOR.....	1
14	ORBR1-06804-01-00.....	BEARING 6804 2RS.....	1	30	OP316-20428-13-10.....	SPROCKET 13 TEETH.....	1
15	TL020-50131-00-00.....	SPROCKET SPACER.....	1	31	OP316-20428-09-10.....	SPROCKET 9 TEETH.....	1
16	TL020-50123-00-00.....	DRIVE PULLEY 5M 32-L30.....	1	32	OP316-20428-10-10.....	SPROCKET 10 TEETH.....	1
17	TL020-50141-00-00.....	LEFT MAIN CARTER.....	1	33	TL020-T0201-00-00.....	FIRST GEAR/PULLEY TOOL EXTRACTOR.....	1

09 - RACE TRANSMISSION



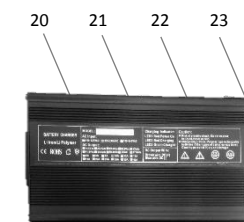
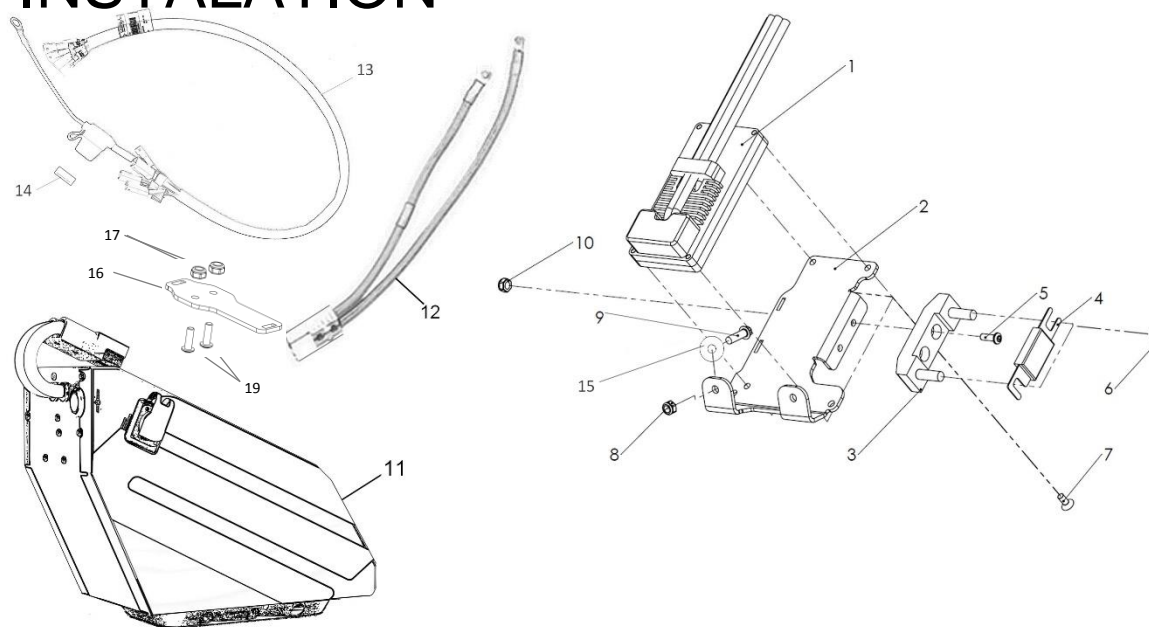
N°	REF.EM	DESIGNATION	Qty	N°	REF.EM	DESIGNATION	Qty
1	TC010-40100-01-00.....	ENGINE.....	1	18	OJT00-86089-01-00.....	O-RING	1
2	TC010-50506-00-00.....	EMPTYING CAP WITH MAGNET.....	1	19	TC010-50131-00-00.....	SPROCKET SPACER.....	1
3	TC010-50147-00-00.....	ENGINE GEAR ADJUSTER.....	1	20	OJT00-24028-02-00.....	O-RING 24,6X1,8.....	2
4	TC010-50507-00-00.....	OIL LEVEL EYE.....	1	21	TC010-50505-00-00.....	OIL PLUG	1
5	TC010-50101-01-00.....	RIGHT MAIN CARTER.....	1	22	OR010-12018-02-00.....	WASHER 12X18.....	1
6	TC010-50148-00-00.....	MAIN GASKET.....	1	23	TC010-50102-01-00.....	LEFT MAIN CARTER.....	1
7	TC010-50503-00-00.....	SECONDARY SHAFT.....	1	24	TC010-50149-00-00.....	FLYWHEEL GASKET.....	1
8	OSP47-03007-00-00.....	OIL SEAL 30x47X7.....	1	25	TC010-50601-00-00.....	FLYWHEEL.....	1
9	OR001-20060-04-00.....	WASHER 20.2X27X1.....	1	26	TC010-50602-00-00.....	FLYWHEEL MASS.....	2
10	TC010-50500-00-00.....	COMPLETE CLUTCH.....	1	27	OSP47-03506-00-00.....	OIL SEAL 35X47X6.....	1
11,14	ORARN-K252917-00-00.....	NEEDLE CAGE 25X29X17	2	28	OR010-08014-01-00.....	WASHER M8	5
12	TC010-50500-01-00.....	CLUTCH DISCS KIT.....	1	29	OP422-25428-11-00.....	SPROCKET 11T.....	1
13	TC010-50150-00-00.....	PRIMARY GEAR.....	1	30	TC010-50603-00-00.....	GEAR NUT.....	1
15	TC010-50502-00-00.....	CLUTCH CROWN.....	1	31	OCPO0-01025-01.....	CIRCLIP 25X1,2	1
16,17	ORBR0-07007-00-00.....	BEARING 7007 2Z.....	2	32	OEC03-20009-00-00.....	NUT M20.....	1
				33	ORBR1-06003-01-00.....	BEARING 6003 2RS.....	1

09 - RACE TRANSMISSION



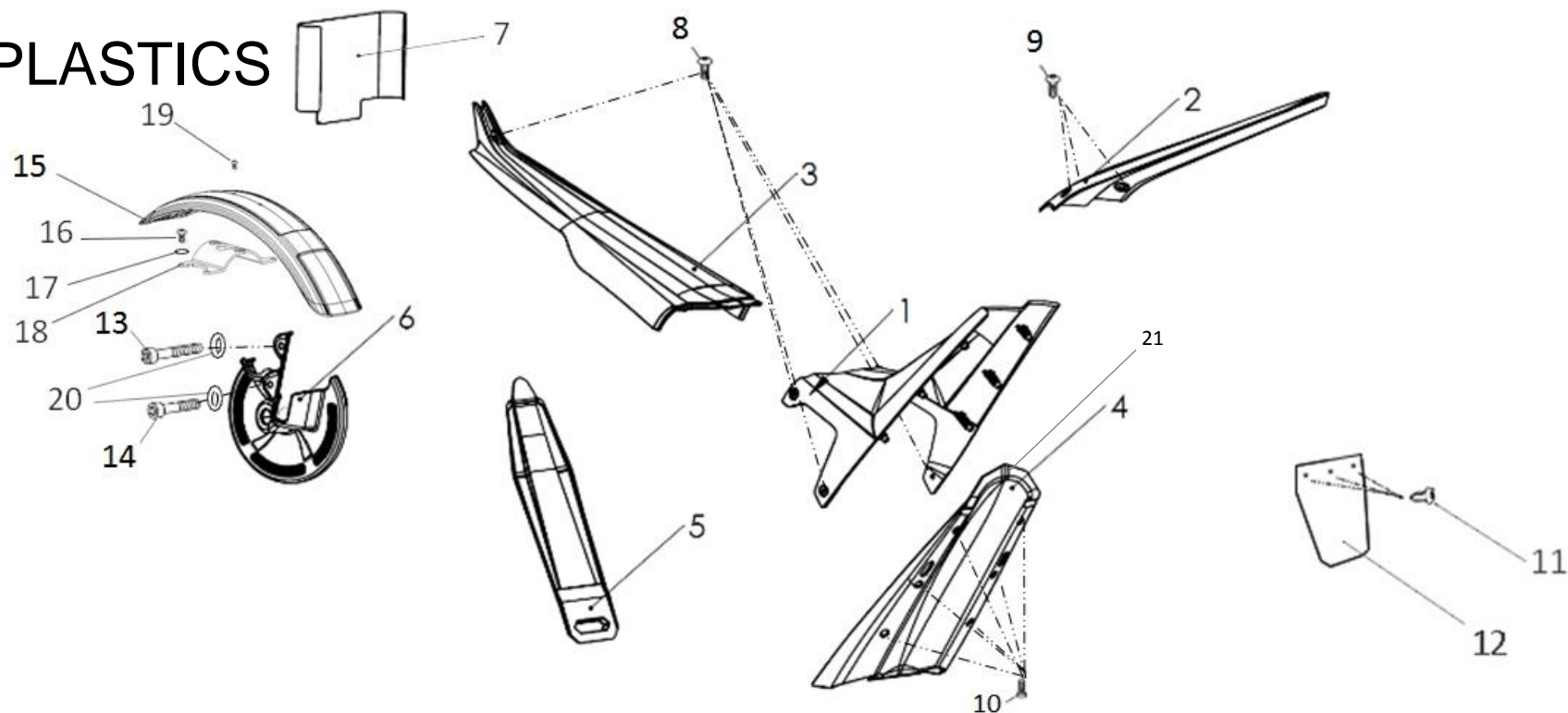
N°	REF.EM	DESIGNATION	Qty	N°	REF.EM	DESIGNATION	Qty
34	TC010-50141-00-00.....	FLYWHEEL CARTER.....	1	51	TL020-T0201-00-00.....	FIRST GEAR/PULLEY TOOL EXTRACTOR.....	1
35	OV150-06035-00-00.....	SCREW THE M6x35.....	3	52	TL020-T0202-00-00.....	INERTIA EXTRACTOR.....	1
36	OV040-06030-00-00.....	SCREW BHC M6X25.....	6				
37	OV150-06035-00-00.....	SCREW THE M6x35.....	7				
38	TC010-50508-00-00.....	EVAPORATION T.....	1				
39	TC010-50509-00-00.....	EVAPORATION HOSE.....	1				
40	OV150-08020-00-00.....	SCREW THE M8X20.....	5				
41	TC010-50504-00-00.....	PISTON GROUP.....	1				
42	OR010-12018-02-00.....	WASHER 12X18.....	1				
43	OCP00-01035-01.....	CIRCLIP 35X1,5.....	1				
44	OPC-04010-00-00.....	PIN CENTERING.....	3				
45	OV191-04015-00-00.....	SCREW M4x15.....	6				
46	TC010-40113-00-00.....	COVER SENSOR MOTOR.....	1				
48	TC010-40100-00-02.....	SENSOR.....	1				
49	OBARN-AXK1730-00-00.....	THRUST NEEDLE ROLLER AXK1730.....	1				
50	OBARN-AXK2542-00-00.....	THRUST NEEDLE ROLLER AXK2542.....	1				

10 - ELECTRIC INSTALATION



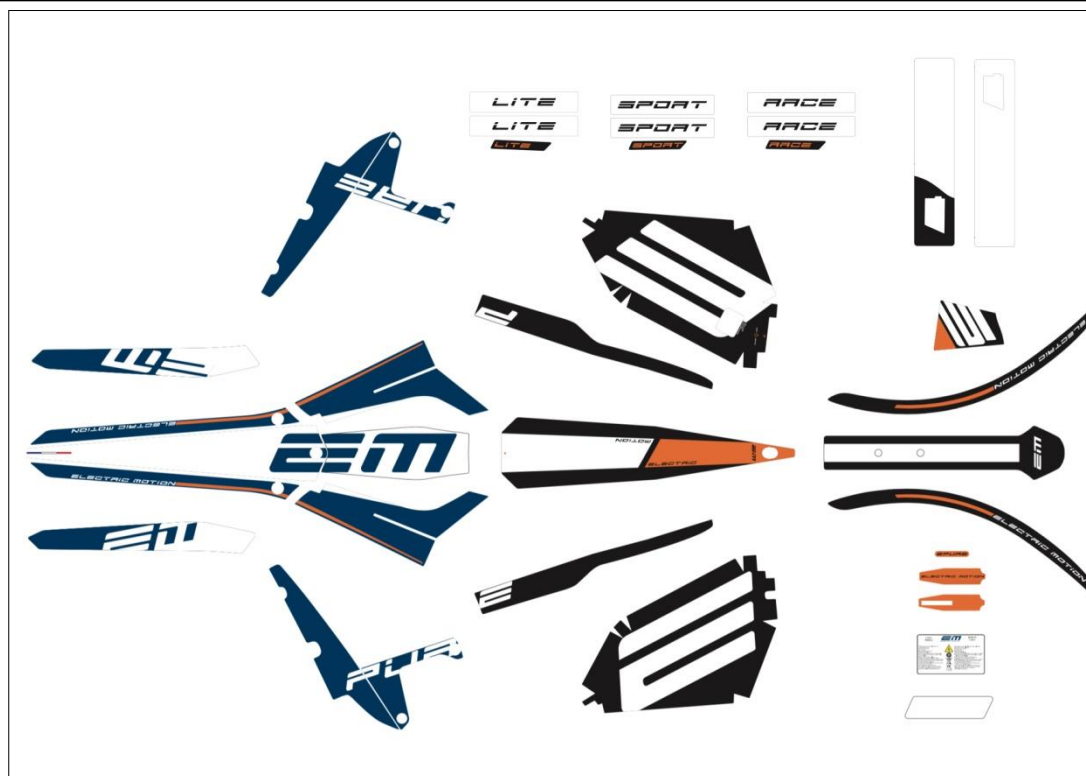
N°	REF.EM	DESIGNATION	Qty	N°	REF.EM	DESIGNATION	Qty
1	TL020-50301-00-00.....	CONTROLLER.....	1	17	OEC08-05000-00-00.....	M5 NYLSTOP NUT.....	2
2	TL020-60515-00-00.....	CONTROLLER SUPPORT.....	1	19	OV040-05025-00-00.....	SCREW BHC M5x25.....	2
3,4	TL01H-50208-00-00.....	FUSE SUPPORT + FUSE.....	1	20	CHG01-52006-02-01.....	6A CHARGER.....	1
5	OV040-05016-00-00.....	SCREW BHC M5X16.....	2	21	CHG01-52010-02-01.....	10A CHARGER.....	1
6	OEC08-08000-00-00.....	NUT NYLSTOP M8.....	2	22	CHG01-52015-02-01.....	15A CHARGER (SERIAL).....	1
7	OV020-05012-00-00.....	SCREW FHC M5X12.....	4	23	CHG01-52025-02-01.....	25A CHARGER.....	1
8	OEC08-06000-00-00.....	NUT NYLSTOP M6.....	2				
9	OV150-06012-00-00.....	SCREW THE M6X12.....	2				
10	OCE05-15620-00-00.....	NUT NYLSTOP M5.....	2				
11	TL020-50200-00-00.....	BATTERY PACK.....	1				
12	TL020-50212-00-00.....	DISCHARGING CABLE.....	1				
13	TL020-50404-00-00.....	HARNESS PRINCIPAL.....	1				
14	FUS02-00002-00-00.....	FUSE 2A.....	1				
15	OR001-06014-02-00.....	WASHER M6.....	2				
16	TL020-60517-00-00.....	MAIN CONNECTOR SUPPORT.....	1				

11 - PLASTICS



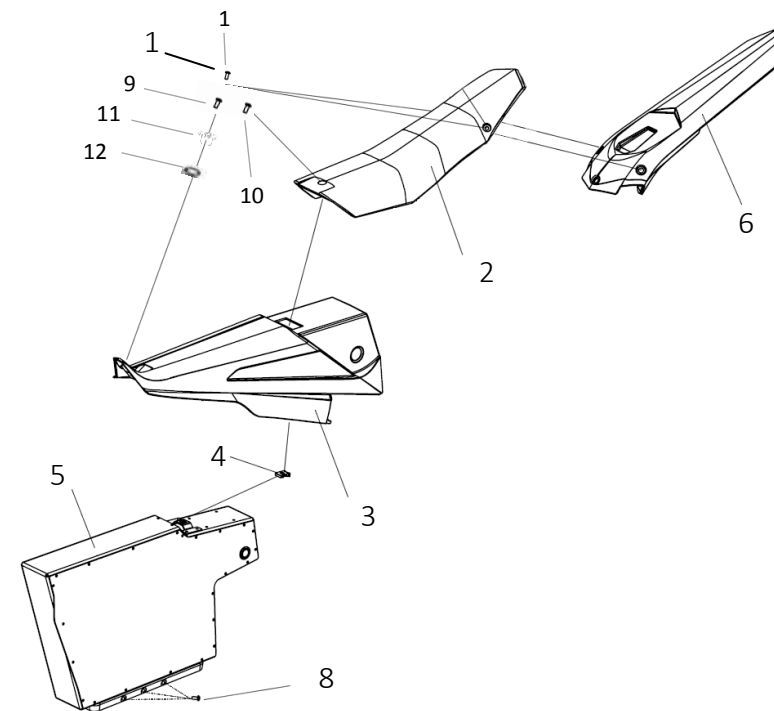
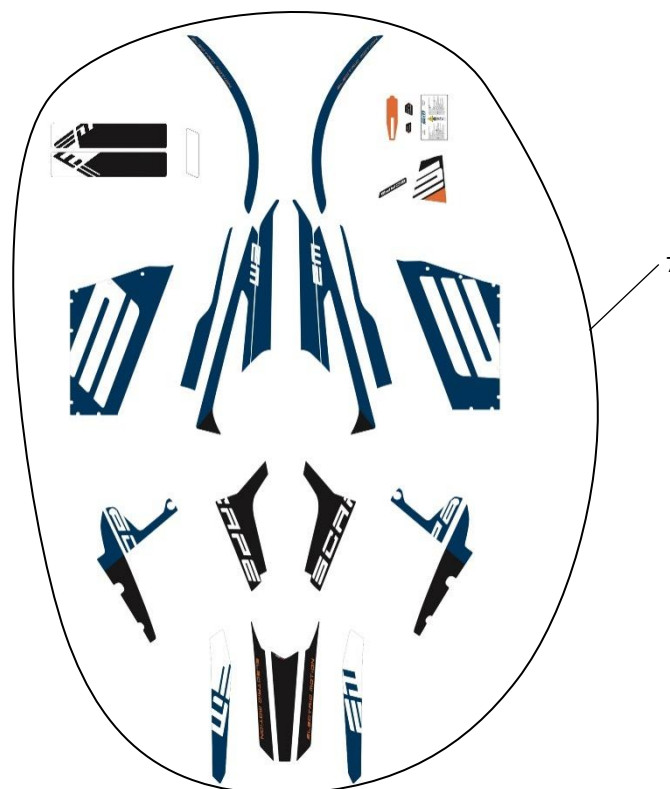
N°	REF.EM	DESIGNATION	Qty	N°	REF.EM	DESIGNATION	Qty
1	TL020-70213-00-00.....	SEAT BASE.....	1	15	TL01J-70103-00-00.....	FRONT MUDGUARD.....	1
2	TL020-70302-00-00.....	REAR MUDGUARD.....	1	16	OV150-06016-00-00.....	SCREW M6x16.....	4
3	TL020-70201-00-00.....	TOP COVER.....	1	17	OR001-06018-02-00.....	WASHER M6.....	4
4	TL020-70303-00-00.....	WHEEL ARCH.....	1	18	TL01K-02140-00-00.....	MUD GUARD SUPPORT.....	1
5	TL020-70203-00-00.....	BATTERY COVER.....	1	19	OV040-05012-00-01.....	SCREW BHC M5x12 BLACK.....	2
6	TL01J-70105-00-00.....	DISC BRAKE COVER.....	1	20	OR001-08018-02-00.....	WASHER M8.....	2
7	TC010-70104-00-00.....	FRONT CARBON PLATE	1	21	TL020-60202-00-00.....	REAR LED MINI.....	1
8	OV100-06016-00-01.....	SCREW BHC M6x16	5				
9	OV004-06010-07-00.....	M6 SPECIAL SCREW.....	3				
10	OV015-03020-00-00.....	SCREW 3X20.....	6				
11	OV015-03010-00-00.....	SCREW 3X6.....	3				
12	TL020-60302-00-00.....	SUSPENSION PROTECTOR.....	1				
13	OV010-08065-00-00.....	SCREW CHC 8 X 50.....	1				
14	OV010-08040-00-00.....	SCREW CHC 8 X 40.....	1				

12 - STICKERS



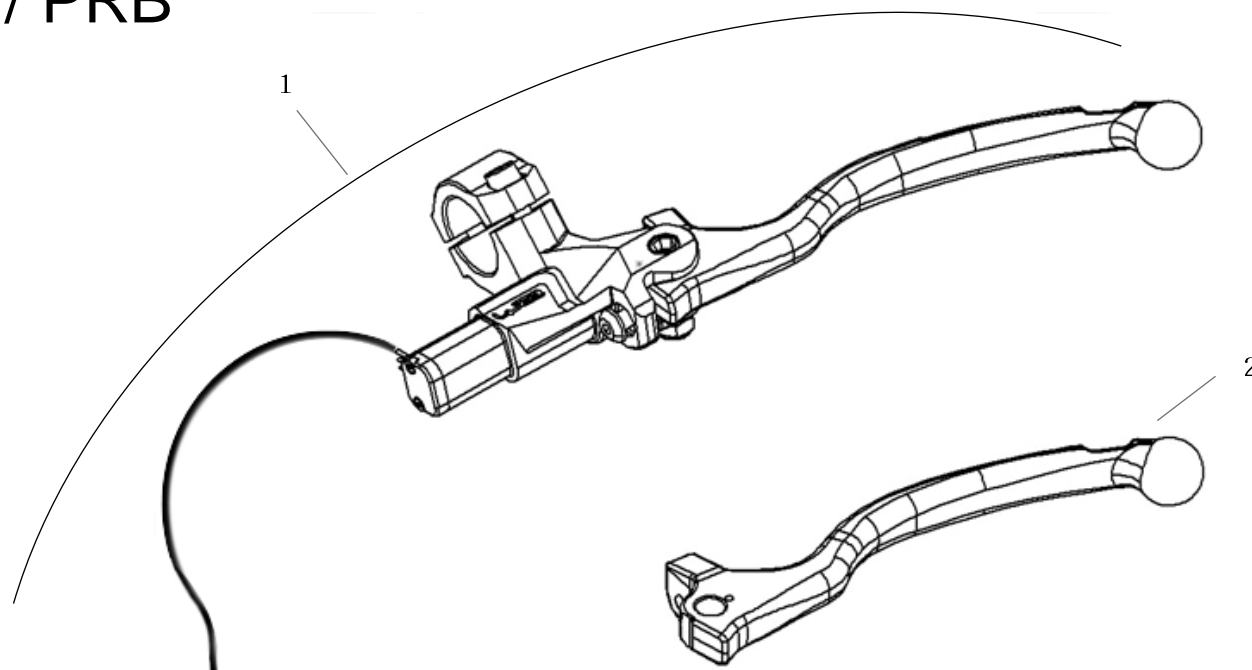
N°	REF.EM	DESIGNATION	Qty	N°	REF.EM	DESIGNATION	Qty
1	TC010-812-00-00.....	STICKERS EPURE RACE.....	1				
2	TL020-812-00-00.....	STICKERS EPURE SPORT.....	1				
3	TL030-812-00-00.....	STICKERS EPURE LITE.....	1				

13 - ESCAPE



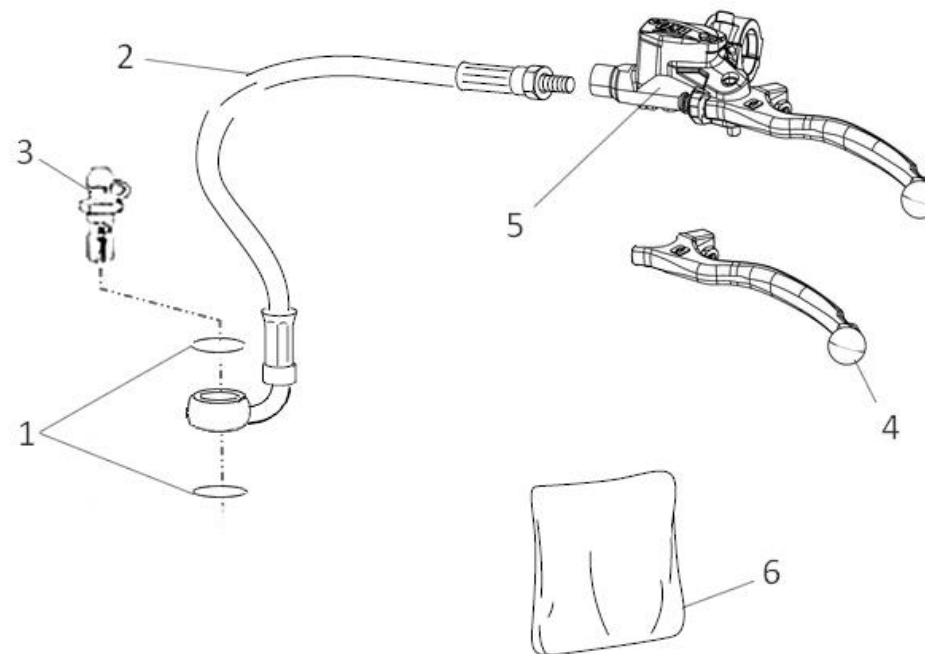
N°	REF.EM	DESIGNATION	Qty	N°	REF.EM	DESIGNATION	Qty
1	OV040-06025-00-00.....	SCREW BHC M6X25.....	2				
2	RL03N-60620-00-01.....	SEAT.....	1				
3	RL03N-70201-00-00.....	CAPOT.....	1				
4	OCE06-16024-09-ZI.....	NUT CLIP.....	3				
5	RL03N-50200-00-00.....	ESCAPE BATTERY.....	1				
6	RL03N-70302-00-00.....	MUD FLAP.....	1				
7	RL030-812-00-00.....	ESCAPE STICKERS.....	1				
8	OV040-06030-00-00.....	SCREW M6x30.....	3				
9	OV150-06016-00-00.....	SCREW BHC M6X16.....	1				
10	OV150-06012-00-00.....	SCREW BHC M6X12.....	1				
11	OE06E-0906E-14-00.....	SPACER.....	1				
12	OR013-08015-00-00.....	RUBBER WASHER.....	1				

14 - PELS / PRB



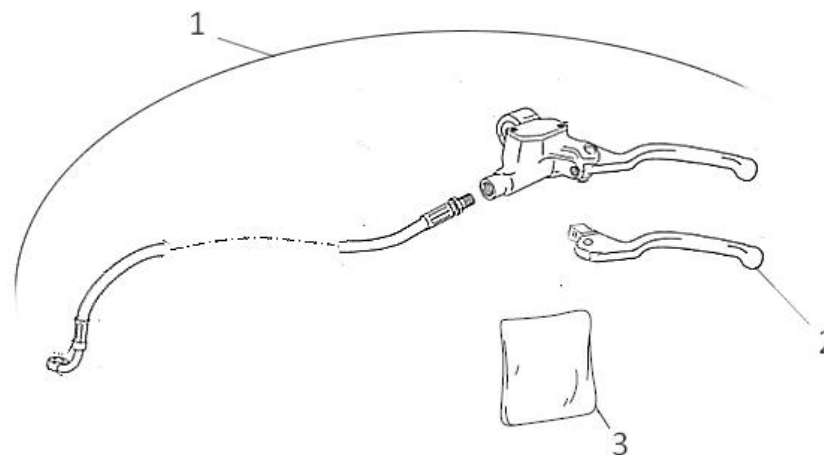
N°	REF.EM	DESIGNATION	Qty	N°	REF.EM	DESIGNATION	Qty
1	TC01L-60403-00-00-ASM	PELS/PRB ASSEMBLY	1				
2	TL01M-60403-02-00.....	PELS/PRB ANODIZED LEVER.....	1				

15 - HYDRAULIC CLUCH SYSTEM



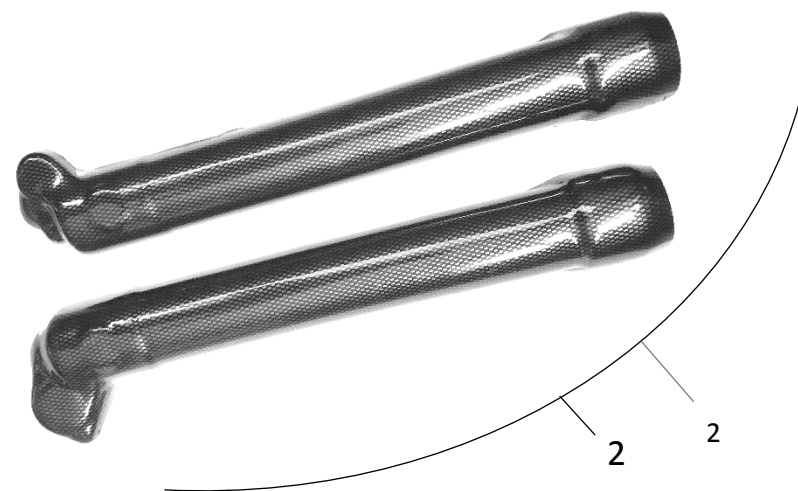
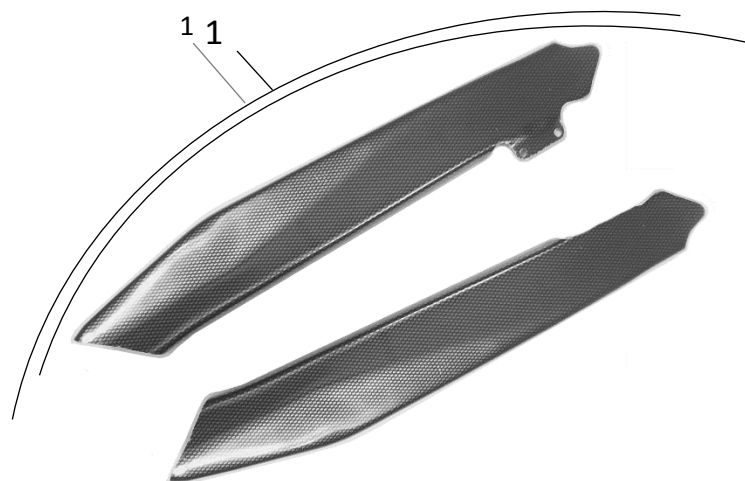
N°	REF.EM	DESIGNATION	Qty	N°	REF.EM	DESIGNATION	Qty
1	OR010-10018-02-00.....	WASHER M10.....	2				
2	TC010-50511-00-00.....	CLUTCH HOSE.....	1				
3	TC010-50512-00-00.....	VIS + SCREW PURGE.....	1				
4	TL01M-60403-02-00.....	LEVER CLUTCH	1				
5	TC010-50510-00-00.....	CLUTCH MASTER CYLINDER.....	1				
6	TC010-50516-00-00.....	REPAIR KIT.....	1				

16 - HANDLEBAR REAR BRAKE



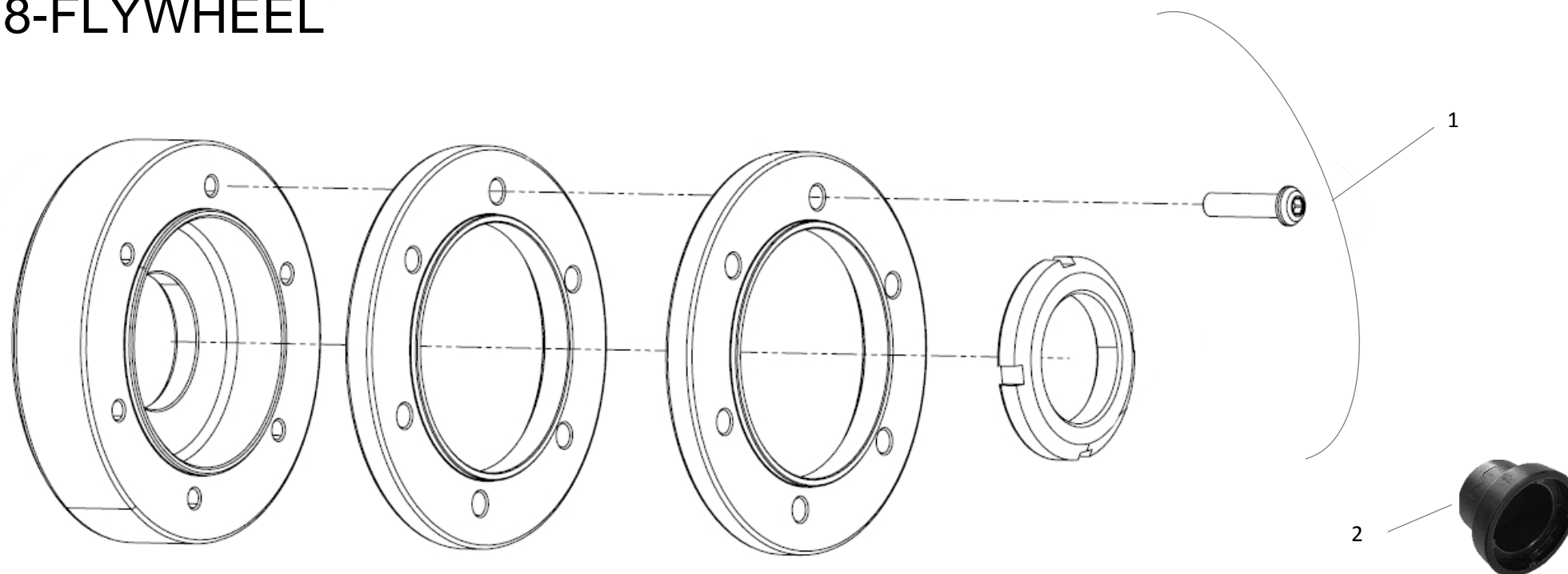
N°	REF.EM	DESIGNATION	Qty	N°	REF.EM	DESIGNATION	Qty
1	TL01M-30200-02-00	HANDLEBAR REAR BRAKE KIT	1				
2	TL01M-60403-02-00	LEVER BRAKE	1				
3	TL01M-30200-00-04	REPAIR KIT	1				

17 - OPTIONAL



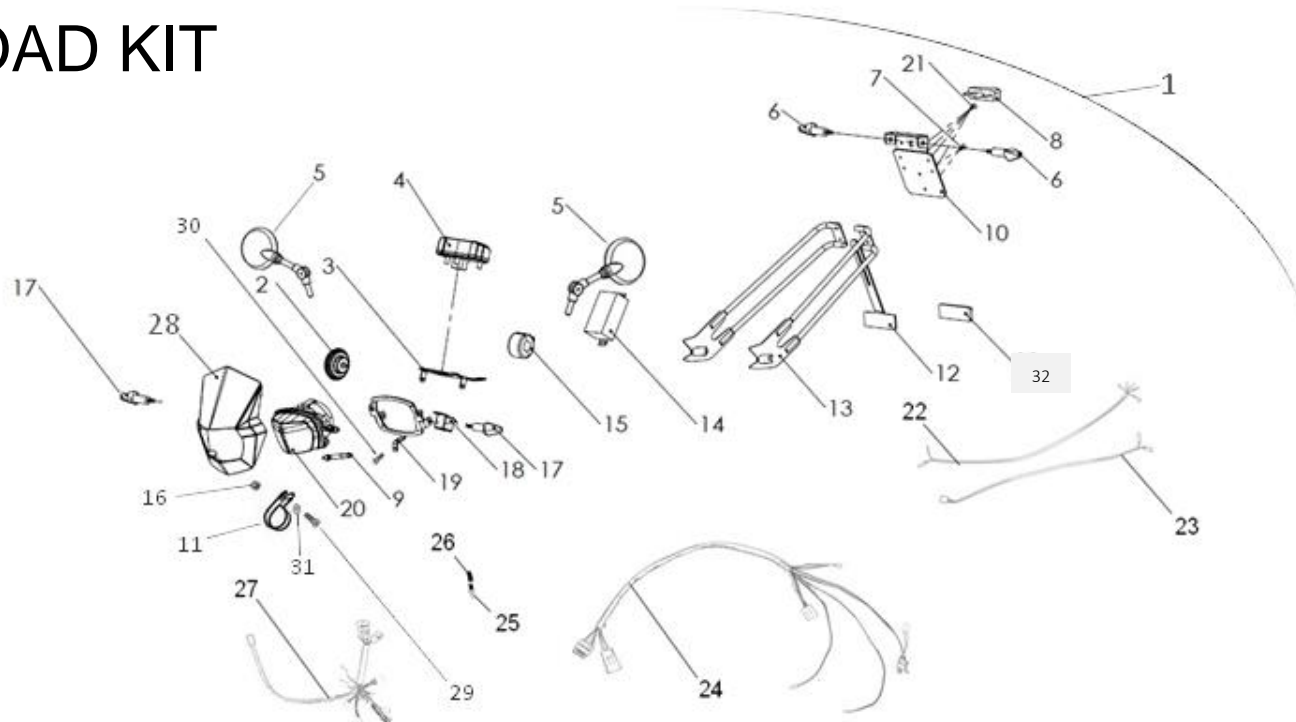
N°	REF.EM	DESIGNATION	Qty	N°	REF.EM	DESIGNATION	Qty
1	TL01K-60330-00-00.....	CARBON FIBRE LOOK SWING ARM GUARDS	2				
2	TL01K-60320-00-00.....	CARBON FIBRE LOOK M4/TECH FORK GUARDS	2				

18-FLYWHEEL



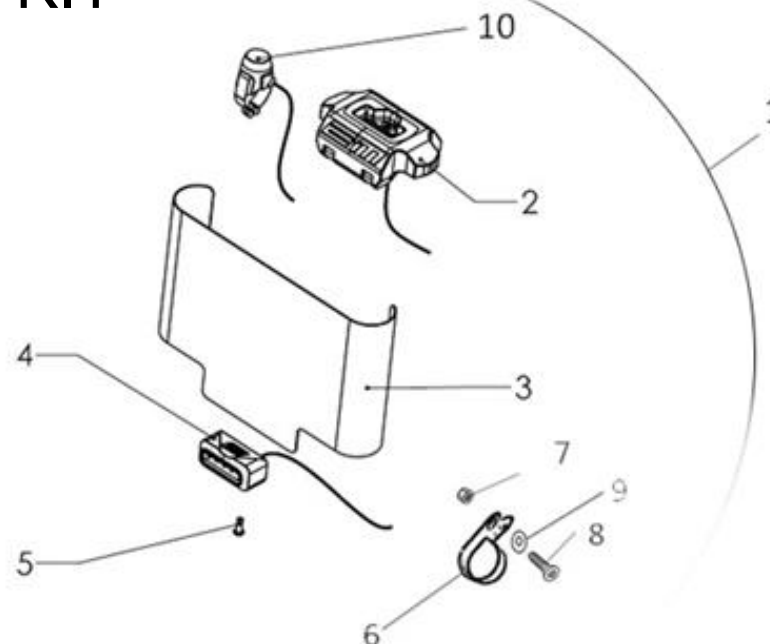
N°	REF.EM	DESIGNATION	Qty	N°	REF.EM	DESIGNATION	Qty
1	TC010-50600-00-00.....	FLYWHEEL KIT	1				
2	TL020-T0202-00-00.....	FLYWHEEL TOOLS	1				

19 - ON ROAD KIT



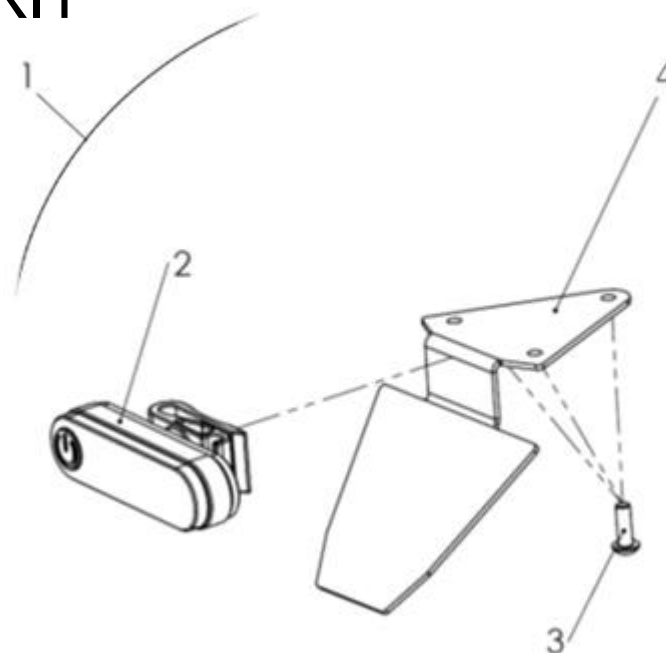
N°	REF.EM	DESIGNATION	Qty	N°	REF.EM	DESIGNATION	Qty
1	TL020-60600-00-00.....	GLOBAL ON ROAD KIT.....	1	17	RL01F-60607-00-00.....	TURN LIGHT SHORT SET.....	1
2	TL01K-60603-00-00.....	HORN.....	1	18	RL01F-50406-00-00.....	INDICATOR CENTRAL UNIT.....	1
3	TL020-60503-00-00.....	SPEEDOMETER SUPPORT.....	1	19	TL020-60602-01-00.....	OPTICAL SUPPORT PLATE.....	1
4	TL020-60610-00-00.....	SPEEDOMETER.....	1	20	TL020-60602-00-00.....	COMPLETE LIGHT.....	1
5	TL01K-60604-00-00.....	REAR VIEW MIRROR.....	2	21	ORV01-04008-10-00.....	RIVET 4X10.....	4
6	RL01F-60606-00-00.....	TURN LIGHT LONG SET.....	1	22	TL02050409-01-00.....	REAR ELECTRICAL WIRING SWINGARM.....	1
7	OV020-05010-00-00.....	SCREW FHC M5X10.....	2	23	TL020-50409-02-00.....	REAR ELECTRICAL WIRING.....	1
8	RL01F-60619-00-00.....	REAR LIGHT.....	1	24	TL020-50403-00-00.....	ELECTRICAL WIRING.....	1
9	TL020-70104-01-00.....	FRONT PLATE SUPPORT.....	2	25	TL020-50408-00-00.....	FRONT ELECTRICAL WIRING.....	1
10	TC010-60616-00-03.....	PLATE LICENCE SUPPORT.....	1	26	TL020-60614-00-00.....	HYDRAULIC SENSOR.....	1
11	TL020-20141-00-00.....	FRONT BRAKE HOSE POSITIONING.....	1	27	TL020-60614-01-00.....	CAP HYDRAULIC SENSOR.....	1
12	TC010-60616-00-01.....	REFLECTOR SUPPORT.....	1	28	TL020-70104-00-00.....	HEADLIGHT.....	1
13	TC010-60616-00-00.....	LICENCE PLATE SUPPORT.....	1	29	OV040-04016-00-00.....	SCREW BHC M4 x 10.....	1
14	TL01M-60601-00-00.....	CONVERTER 48V-12V.....	1	30	OV015-03010-00-00.....	SCREW M3x10.....	7
15	TL020-60407-00-00.....	MAIN COMMUTATOR.....	1	31	OR001-04012-01-00.....	WASHER M4.....	1
16	OEC08-04000-00-00.....	NUT NYLSTOP M4.....	1	32	RL01F-60615-00-00.....	RED REAR REFLECTOR.....	1

20 - OFF ROAD FRONT KIT



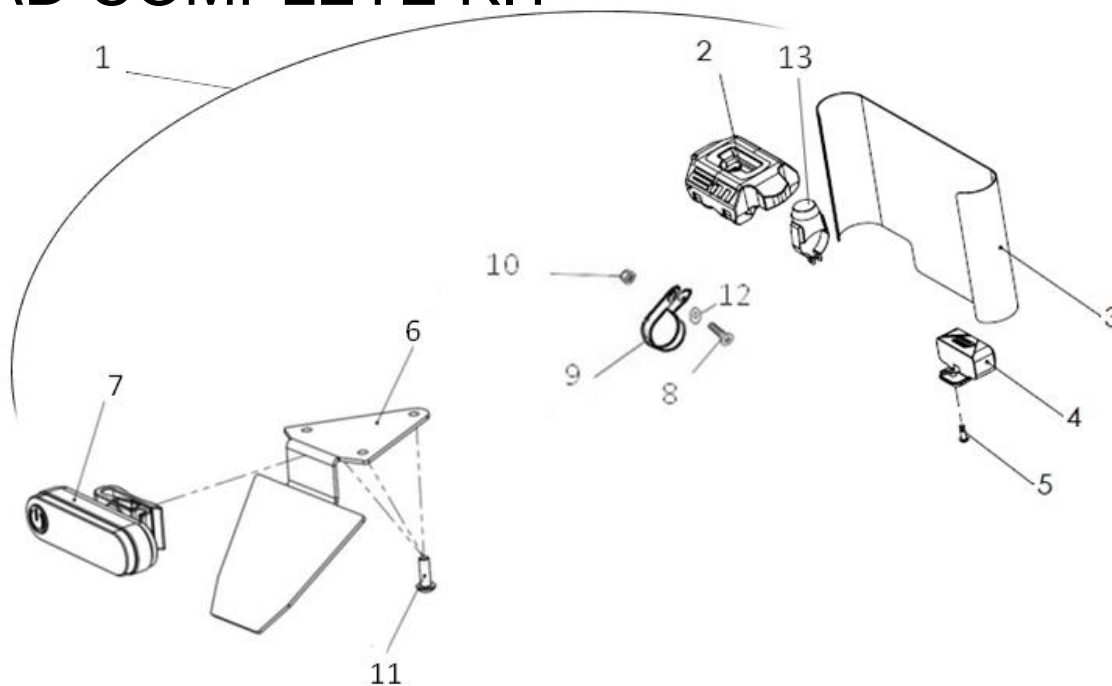
N°	REF.EM	DESIGNATION	Qty	N°	REF.EM	DESIGNATION	Qty
1	TL020-60201-00-00.....	OFF ROAD COMPLETE KIT.....	1				
2	TL020-50203-00-00-ASM.....	BATTERY LEVEL HANDELBAR PROTECTION	1				
3	TC010-70104-00-00.....	FRONT CARBON PLATE.....	1				
4	TL020-60203-00-00	FRONT LED.....	1				
5	OV040-04012-00-01.....	SCREW BHC M4 x 12 BLACK.....	1				
6	TL020-20141-00-00.....	FRONT BRAKE HOSE POSITIONING.....	1				
7	OEC08-04000-00-00.....	NUT NYLSTOP M4.....	1				
8	OV040-04016-00-00.....	SCREW BHC M4 x 10	1				
9	OR001-04012-01-00.....	WASHER M4.....	1				
10	TL01N-60415-00-00.....	MAP LED INDICATOR.....	1				

21 - OFF ROAD REAR KIT



N°	REF.EM	DESIGNATION	Qty	N°	REF.EM	DESIGNATION	Qty
1	TL020-60202-01-00.....	REAR LED SUPPORT	1				
2	TL020-60202-00-00.....	REAR LED	1				
3	OV020-05010-00-00.....	SCREW 3x6.....	3				

22 - OFF ROAD COMPLETE KIT



N°	REF.EM	DESIGNATION	Qty	N°	REF.EM	DESIGNATION	Qty
1	TL020-60201-00-00.....	COMPLETE OFF ROAD KIT.....	1				
2	TL020-50203-00-00.....	BATTERY LEVEL HANDELBAR PROTECTION	1				
3	TC010-70104-00-00.....	FRONT CARBON PLATE.....	1				
4	TL020-60203-00-00	FRONT LED.....	1				
5	OV040-04012-00-00.....	SCREW BHC M4 x 12	1				
6	TL020-60202-01-00.....	REAR LED SUPPORT.....	1				
7	TL020-60202-00-00.....	REAR LED.....	1				
8	OV040-04016-00-00.....	SCREW BHC M4x10.....	1				
9	TL020-20141-00-00.....	FRONT BRAKE POSITIONING	1				
10	OEC08-04000-00-00.....	NUT NYLSTOP M4.....	1				
11	OV020-05010-00-00.....	SCREW 3x6.....	3				
12	OR001-04012-01-00.....	WASHER M4.....	1				
13	TL01N-60415-00-00.....	MAP LED INDICATOR.....	1				